

GENERAL DESCRIPTION

OB2226 is a high performance, high precision and low cost PWM Power switch for non-isolated buck application. It combines a dedicated current mode PWM controller (with a high voltage power MOSFET with DIP7 package) and built-in error amplifier for low cost and component count. With precise inner resistor divider, precise reference of EA and load compensation, accurate constant voltage regulation at universal AC input can be guaranteed. For high efficiency, oscillator with frequency-reduction control is implemented. And EMI performance is achieved with On-Bright proprietary frequency shuffling technique.

OB2226 offers power on soft start control and protection coverage with auto-recovery features including Cycle-by-Cycle current limiting, over loading protection, output short-circuit protection, over temperature protection, VDD OVP, and UVLO.

OB2226 is offered in SOP8 or DIP7 package.

FEATURES

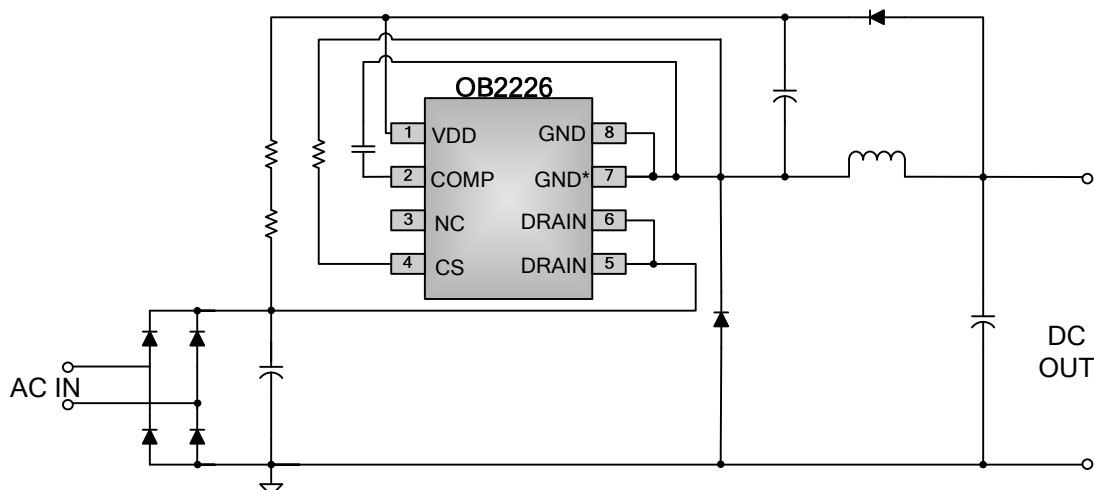
- Low cost and component count buck application
- Built-in error amplifier
- Load compensation
- Oscillator of fixed frequency with frequency-reduction control for high efficiency
- Frequency shuffling for EMI improvement
- Power on Soft-start
- Built-in Leading Edge Blanking (LEB)
- Cycle-by-Cycle Current Limiting
- Over Loading Protection
- Output Short-Circuit Protection
- Over Temperature Protection
- VDD Under Voltage Lockout with Hysteresis (UVLO)
- VDD OVP

APPLICATIONS

Low Power AC/DC offline SMPS for

- Electrical Appliance
- Linear Regulator/RCC Replacement

TYPICAL APPLICATION

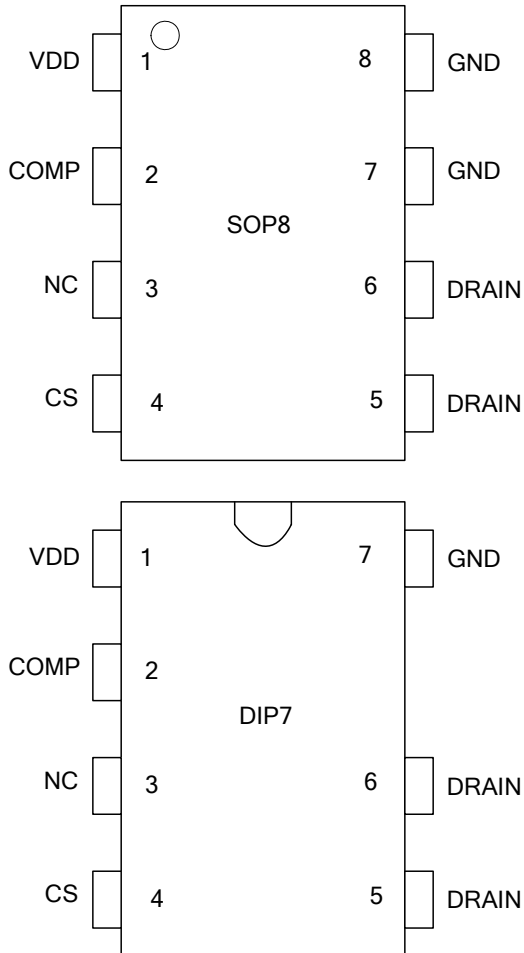


Note : GND* Only in SOP8 package

GENERAL INFORMATION

Pin Configuration

The pin map is shown as below for SOP8 and DIP7.



Ordering Information

Part Number	Description
OB2226SP	DIP7, Pb-free, Tube
OB2226CP-H	SOP8, Pb-free, Tube
OB2226CPA-H	SOP8, Pb-free, T&R

Package Dissipation Rating

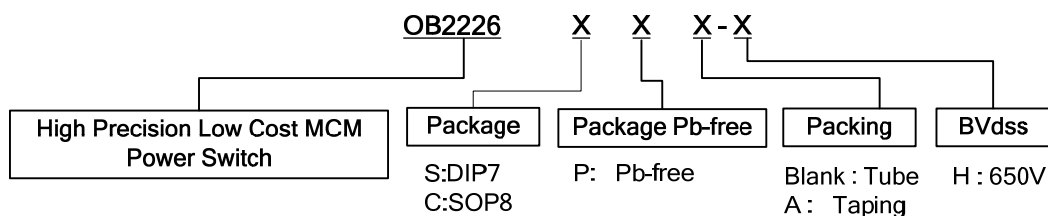
Package	R θ JA (°C/W)
DIP7	75
SOP8	90

Note: Drain Pin Connected 100mm² PCB copper clad.

Absolute Maximum Ratings

Parameter	Value
Drain Voltage (off state)	-0.3V to BVdss
VDD Voltage	-0.3 to 40V
VDD Zener Clamp Continuous Current	10 mA
COMP Voltage	-0.3 to 7V
CS Input Voltage	-0.3 to 7V
Min/Max Operating Junction Temperature T _J	-40 to 150 °C
Min/Max Storage Temperature T _{stg}	-55 to 150 °C
Lead Temperature (Soldering, 10secs)	260 °C

Note: Stresses beyond those listed under "absolute maximum ratings" may cause permanent damage to the device. These are stress ratings only, functional operation of the device at these or any other conditions beyond those indicated under "recommended operating conditions" is not implied. Exposure to absolute maximum-rated conditions for extended periods may affect device reliability.



Marking Information



Y:Year Code
 WW:Week Code(01-52)
 ZZZ:Lot Code
 C:SOP8 Package
 P:Pb-free Package
 S:Internal Code(Optional)



Y:Year Code
 WW:Week Code(01-52)
 ZZZ:Lot Code
 S:DIP7 Package
 P:Pb-free Package
 S:Internal Code(Optional)

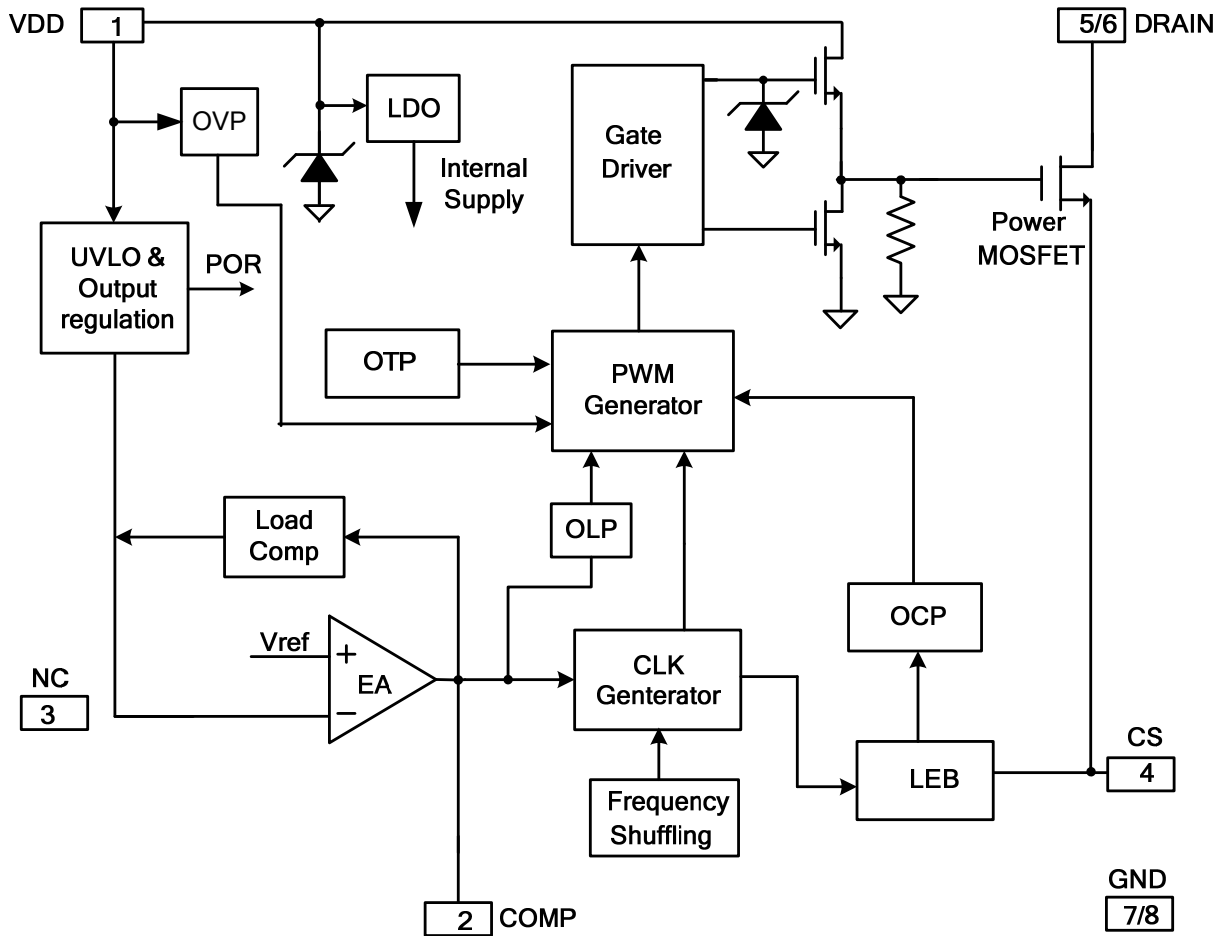
TERMINAL ASSIGNMENTS

Pin Num	Pin Name	I/O	Description
1	VDD	P	Power Supply
2	COMP	I	Loop Compensation for CV Stability
3	NC	I	Not connected
4	CS	I	Current sense input
5/6	DRAIN	O	HV MOSFET Drain Pin. The Drain pin is connected to the primary lead of the transformer / inductance.
7/8	GND	P	Ground

OUTPUT POWER TABLE

Product	90~300VAC	90~264VAC
	Buck topology, open frame	Flyback topology, open frame
OB2226SP	6.6W	10W
OB2226CP	4.0W	6.0W

BLOCK DIAGRAM

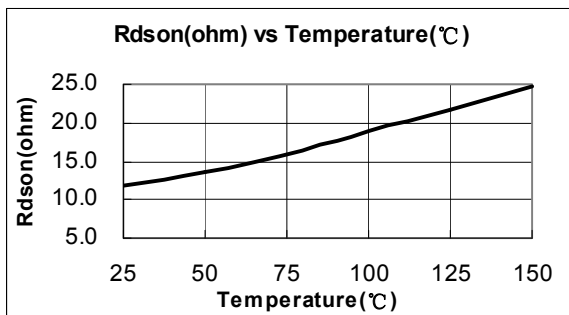
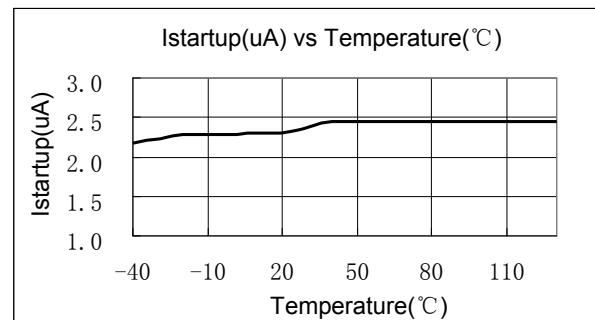
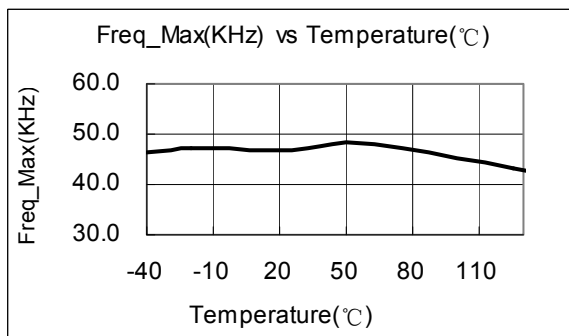
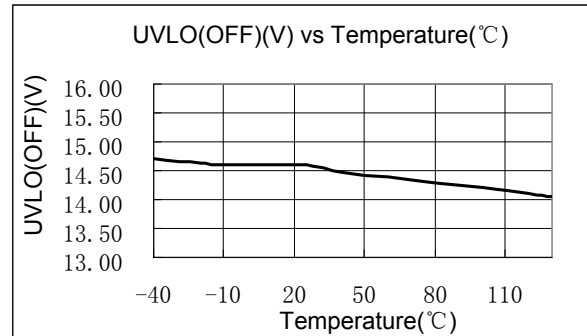
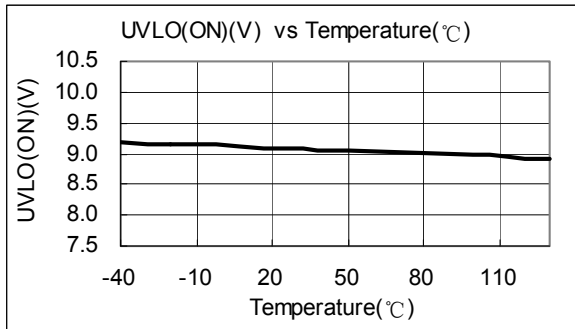


ELECTRICAL CHARACTERISTICS

 (T_A = 25°C, VDD=16V, if not otherwise noted)

Symbol	Parameter	Test Conditions	Min	Typ	Max	Unit
Supply Voltage (VDD) Section						
I _{DD ST}	Standby Current	VDD=13V		5	20	uA
I _{DD op}	Operation Current	Operation supply current CS=0V, VDD=18V	-	1.5	2.5	mA
UVLO(ON)	VDD Under Voltage Lockout Enter	VDD falling	8.2	9.0	10.5	V
UVLO(OFF)	VDD Under Voltage Lockout Exit	VDD rising	13.5	14.8	16.0	V
OVP	Over voltage protection Threshold	Ramp VDD until gate shut down	26	27.5	29	V
VDD Regulation Voltage	In normal regulation, VDD will be regulated to 19.3V	Ramp VDD until Comp voltage lower than 2.5V	18.6	19.3	20.0	V
Current Sense Input Section						
TLEB	LEB time			200		ns
V _{th_oc}	Over current threshold		910	940	970	mV
T _{d_oc}	OCP propagation delay			110		ns
Z _{SENSE_IN}	Input Impedance		50			Kohm
Frequency Section						
Freq_Max	IC Maximum frequency		40	45	50	KHz
Δf/Freq	Frequency shuffling range			+/-6		%
Error Amplifier Section						
Gain	DC gain of EA			60		dB
I _{COMP_MAX}	Max. Cable compensation current	VDD=18V, Comp=0V		3.3		uA
Protection						
V _{TH_OLP}	Over loading protection threshold voltage			4		V
T _{d_OLP}	Over load, debounce Time			100		ms
OTP enter				150		°C
OTP exit				130		°C
Power MOSFET Section						
BV _{dss}	MOSFET Drain-Source Breakdown Voltage	DIP7	600			V
		SOP8	650			V
R _{dson}	On Resistance	DIP7			15	Ω
		SOP8			15	Ω

CHARACTERIZATION PLOTS



OPERATION DESCRIPTION

OB2226 is a cost effective PWM power switch optimized for off-line non-isolated buck applications including electrical appliance and linear regulator replacement. It operates in current mode and regulates output voltage with dedicated features. High integration can afford low cost and component count solution.

- **Startup Current and Start up Control**

Startup current of OB2226 is designed to be very low so that VDD could be charged up above UVLO threshold and starts up quickly. A large value startup resistor can therefore be used to minimize the power loss in application.

- **Operating Current**

The Operating current of OB2226 is as low as 1.5mA (typical). Good efficiency is achieved with the low operating current together with 'Multi-mode' control features.

- **Oscillator operation**

The switching frequency of OB2226 is internally fixed at 45KHz (typical). No external frequency setting components are required for PCB design simplification.

At light load or zero load condition, most of the power dissipation in a switching mode power supply is from switching loss on the MOSFET. The magnitude of power loss is in proportion to the switching frequency. Lower switching frequency leads to the reduction on the power loss and thus conserves the energy. The switching frequency is internally adjusted at light load or no load condition. The switch frequency reduces at light/no load condition to improve the conversion efficiency. The minimum switching frequency is 400Hz (typical).

- **Frequency shuffling for EMI improvement**

The frequency shuffling (switching frequency modulation) is implemented in OB2226. The oscillation frequency is modulated so that the tone energy is spread out. The spread spectrum minimizes the conduction band EMI and therefore eases the system design.

- **Built-in error amplifier**

In OB2226, on-chip EA (error amplifier) is implemented to regulate output voltage. Through inner resistor divider, the VDD voltage is detected at inverter input of EA to regulate output voltage.

- **Load Compensation for good CV regulation**

In OB2226, load compensation is implemented to achieve good load regulation. An offset voltage is generated at inverter input of EA by an internal current flowing into the resistor divider. The current is inversely proportional to the voltage across pin COMP, as a result, it is inversely proportional to the output load current, therefore the output voltage can be compensated specially in zero loading condition. As the load current decreases from full-load to no-load, the offset voltage at inverter input of EA will increase.

- **Current Sensing and Leading Edge Blanking**

Cycle-by-Cycle current limiting is offered in OB2226 current mode PWM control. The switch current is detected by a sense resistor into the CS pin. An internal leading edge blanking circuit chops off the sensed voltage spike at initial internal power MOSFET on state so that the external RC filtering on sense input is no longer needed. The PWM duty cycle is determined by the current sense input voltage and the EA output voltage.

- **Gate Driver**

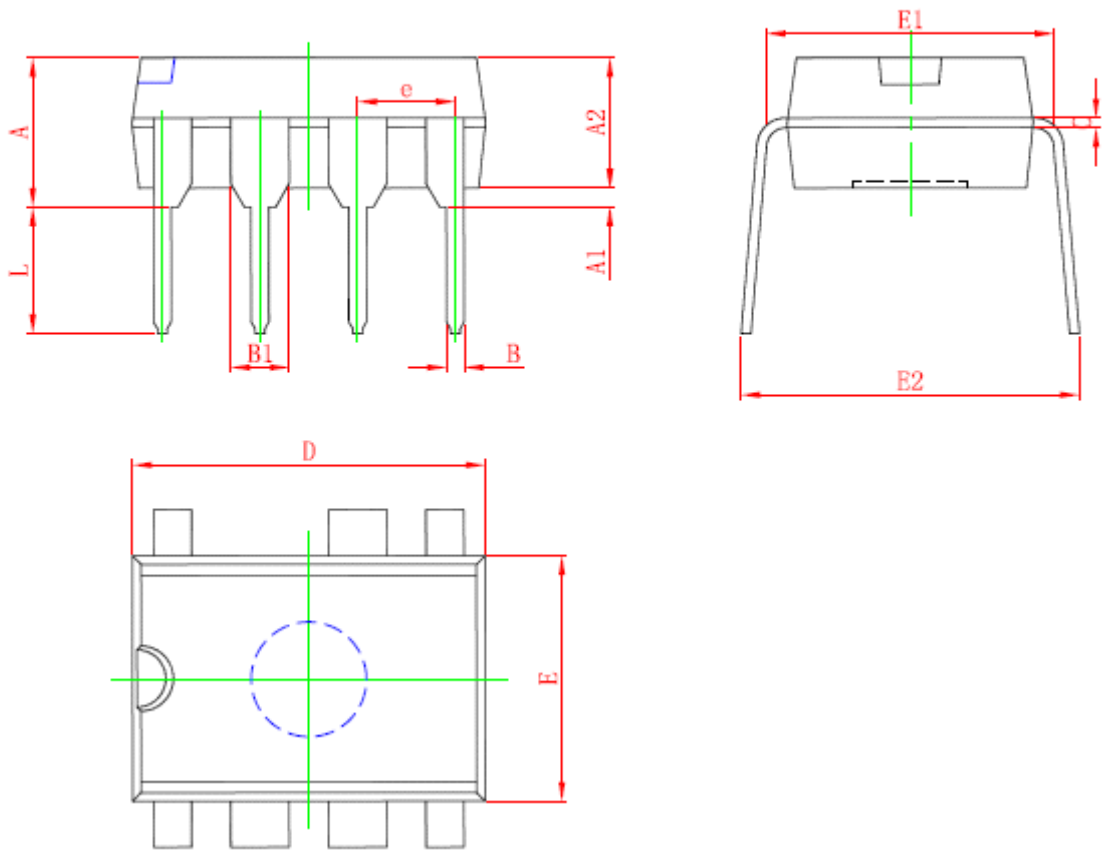
The internal power MOSFET in OB2226 is driven by a dedicated gate driver for power switch control. Too weak the gate driver strength results in higher conduction and switch loss of MOSFET while too strong gate drive compromises EMI. A good tradeoff is achieved through the built-in totem pole gate design with right output strength control.

- **Protection Control**

Good power supply system reliability is achieved with its rich protection features including Cycle-by-Cycle current limiting (OCP), Over Loading Protection, Over Voltage Protection, Output Short-Circuit Protection and Under Voltage Lockout on VDD (UVLO). To prevent from any lethal thermal damage, OB2226 stops switching when the junction temperature exceeds 150°C (typical). When the junction temperature drops below 130°C (typical), OB2226 resumes operation.

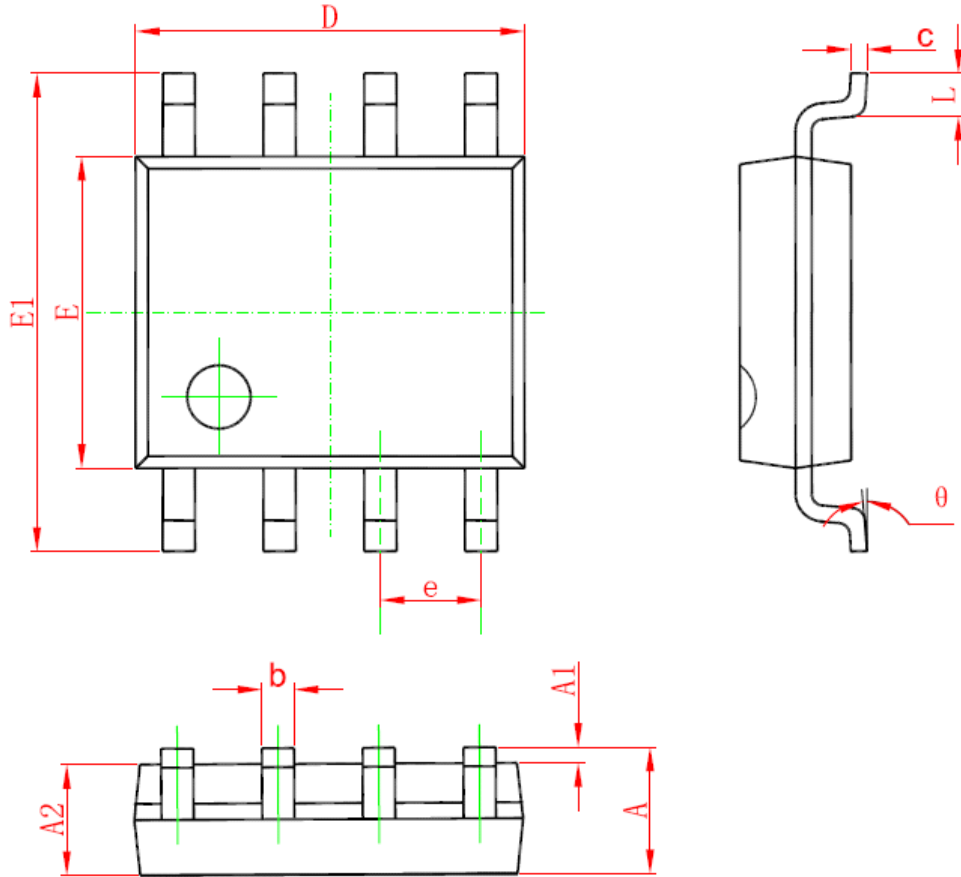
PACKAGE MECHANICAL DATA

DIP7 PACKAGE OUTLINE DIMENSIONS



Symbol	Dimensions In Millimeters		Dimensions In Inches	
	Min	Max	Min	Max
A	3.710	5.334	0.146	0.210
A1	0.381		0.015	
A2	2.921	4.953	0.115	0.195
B	0.350	0.650	0.014	0.026
B1	1.524 (BSC)		0.06 (BSC)	
C	0.200	0.360	0.008	0.014
D	9.000	10.160	0.354	0.400
E	6.096	7.112	0.240	0.280
E1	7.320	8.255	0.288	0.325
e	2.540 (BSC)		0.1 (BSC)	
L	2.921	3.810	0.115	0.150
E2	7.620	10.920	0.300	0.430

SOP8 PACKAGE OUTLINE DIMENSIONS



Symbol	Dimensions In Millimeters		Dimensions In Inches	
	Min	Max	Min	Max
A	1.350	1.750	0.053	0.069
A1	0.050	0.250	0.002	0.010
A2	1.250	1.650	0.049	0.065
b	0.310	0.510	0.012	0.020
c	0.100	0.250	0.004	0.010
D	4.700	5.150	0.185	0.203
E	3.800	4.000	0.150	0.157
E1	5.800	6.200	0.228	0.244
e	1.270 (BSC)		0.050 (BSC)	
L	0.400	1.270	0.016	0.050
θ	0°	8°	0°	8°

IMPORTANT NOTICE

RIGHT TO MAKE CHANGES

On-Bright Electronics Corp. reserves the right to make corrections, modifications, enhancements, improvements and other changes to its products and services at any time and to discontinue any product or service without notice. Customers should obtain the latest relevant information before placing orders and should verify that such information is current and complete.

WARRANTY INFORMATION

On-Bright Electronics Corp. warrants performance of its hardware products to the specifications applicable at the time of sale in accordance with its standard warranty. Testing and other quality control techniques are used to the extent it deems necessary to support this warranty. Except where mandated by government requirements, testing of all parameters of each product is not necessarily performed.

On-Bright Electronics Corp. assumes no liability for application assistance or customer product design. Customers are responsible for their products and applications using On-Bright's components, data sheet and application notes. To minimize the risks associated with customer products and applications, customers should provide adequate design and operating safeguards.

LIFE SUPPORT

On-Bright Electronics Corp.'s products are not designed to be used as components in devices intended to support or sustain human life. On-bright Electronics Corp. will not be held liable for any damages or claims resulting from the use of its products in medical applications.

MILITARY

On-Bright Electronics Corp.'s products are not designed for use in military applications. On-Bright Electronics Corp. will not be held liable for any damages or claims resulting from the use of its products in military applications.