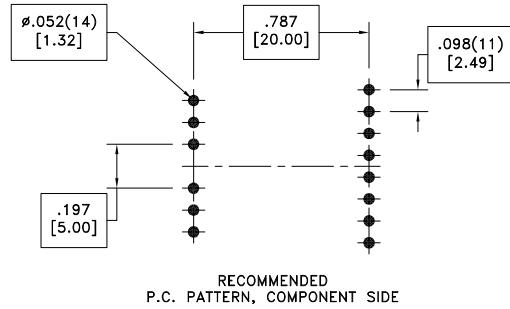
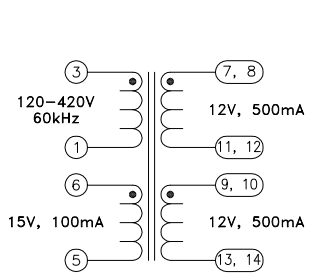
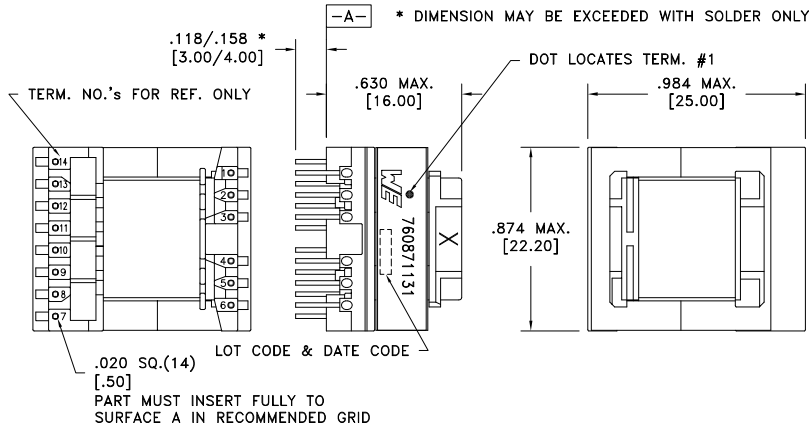


CUSTOMER TERMINAL	RoHS	LEAD(Pb)-FREE
Sn96%, Ag4%	Yes	Yes



ELECTRICAL SPECIFICATIONS @ 25°C unless otherwise noted:

PARAMETER	TEST CONDITIONS	VALUE
D.C. RESISTANCE	1-3 @20°C	1.60 ohms max.
D.C. RESISTANCE	5-6 @20°C	0.35 ohms max.
D.C. RESISTANCE	7-11 tie(7+8, 11+12), @20°C	0.09 ohms max.
D.C. RESISTANCE	9-13 tie(9+10, 13+14), @20°C	0.09 ohms max.
INDUCTANCE	1-3 10kHz, 100mVAC, Ls	1.396mH ±10%
SATURATION CURRENT	20% rolloff from initial	700mA
LEAKAGE INDUCTANCE	1-3 tie(5 thru 14), 10kHz, 100mVAC, Ls	50uH max.
DIELECTRIC	1-14 tie(3+5, 7 thru 14), 4000VAC, 1 second	-
DIELECTRIC	1-6 1250VAC, 1 second	-
URNS RATIO	(3-1):(6-5)	8:1, ±2%
URNS RATIO	(3-1):(7-11), tie(7+8, 11+12)	9.6:1, ±2%
URNS RATIO	(3-1):(9-13), tie(9+10, 13+14)	9.6:1, ±2%

GENERAL SPECIFICATIONS:

- ⑥ Designed to comply with the following requirements as defined by IEC60950-1, EN60950-1, UL60950-1/CSA60950-1 and AS/NZS60950.1:
 - Reinforced insulation for a primary circuit at a working voltage of 265Vrms, 400Vpeak, Overvoltage Category II, Pollution Degree 2.

Wire insulation & RoHS status not affected by wire color.
Wire insulation color may vary depending on availability.

REV.	DATE	Packaging Specifications Method: Tray PKG-0736 www.we-online.com/midcom	CONVENTION PLACEMENT
6C	5/19		
6B	11/12		
6A	2/11	SEE REVISION SHEET FOR REVISION LEVEL	

Tolerances unless otherwise specified:
Angles: ±1°
Fractions: ±1/64
Decimals: ±.005 [.13]
Footprint: ±.001 [.03]
This drawing is dual dimensioned. Dimensions in brackets are in millimeters.

DRAWING TITLE
TRANSFORMER
eiSos p/n: 760871131

PART NO.
760871131
SPECIFICATION SHEET 1 OF 1