

CUSTOMER TERMINAL	RoHS	LEAD(Pb)-FREE
Sn100%	Yes	Yes

more than you expect



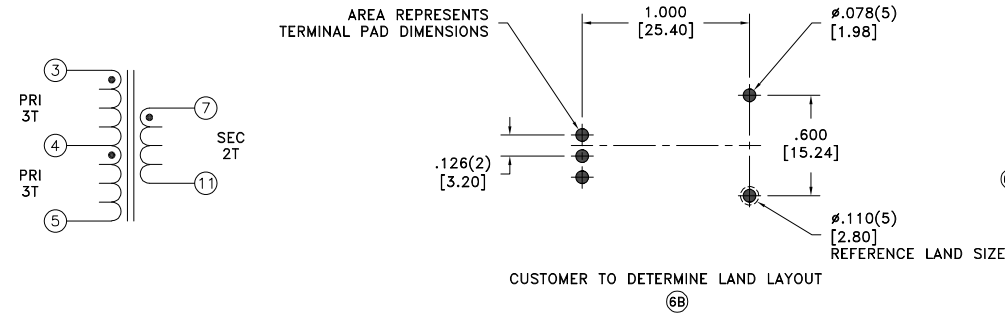
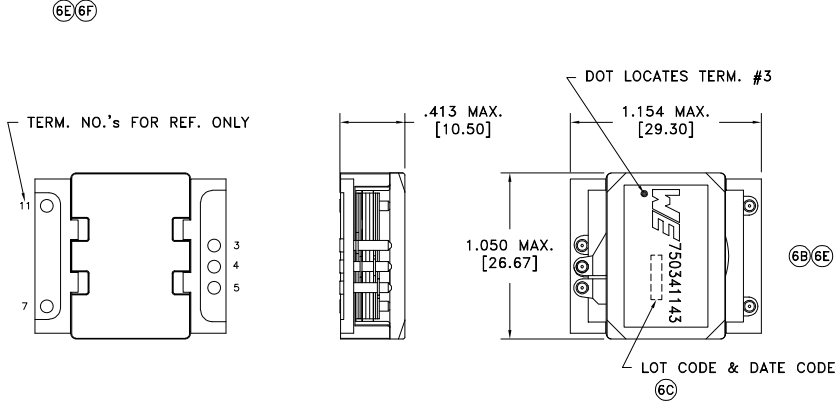
ELECTRICAL SPECIFICATIONS @ 25°C unless otherwise noted:

PARAMETER	TEST CONDITIONS	VALUE
D.C. RESISTANCE	3-4 @20°C	3.0 mOhms max.
D.C. RESISTANCE	4-5 @20°C	3.0 mOhms max.
D.C. RESISTANCE	7-11 @20°C	1.2 mOhms max.
INDUCTANCE	3-5 100kHz, 100mVAC, Ls	145.0uH min.
LEAKAGE INDUCTANCE	3-5 tie(7+11), 100kHz, 100mVAC, Ls	250nH max.
DIELECTRIC	3-7 2250VDC, 1 second	-
TURNS RATIO	(3-4):(7-11)	1.5:1, ±1%
TURNS RATIO	(4-5):(7-11)	1.5:1, ±1%

GENERAL SPECIFICATIONS:

OPERATING TEMPERATURE RANGE: -40°C to +125°C including temp rise.

Ⓞ VOLTAGE-TIME: 121VuS



REV.	DATE	Packaging Specifications
6G	2/22	Method: Tape & Reel
6F	12/19	PKG-0793
6E	4/14	www.we-online.com/midcom
6D	4/13	SEE REVISION SHEET FOR REVISION LEVEL

Tolerances unless otherwise specified:
 Angles: ±1° Decimals: ±.005 [.13]
 Fractions: ±1/64 Footprint: ±.005 [.13]

This drawing is dual dimensioned. Dimensions in brackets are in millimeters.

DRAWING TITLE
TRANSFORMER

eiSos p/n: 750341143

PART NO.
750341143

SPECIFICATION SHEET 1 OF 1

