



Quality Products. Service Excellence.

Potential Transformer Instrument *EX-HX-VT Series*

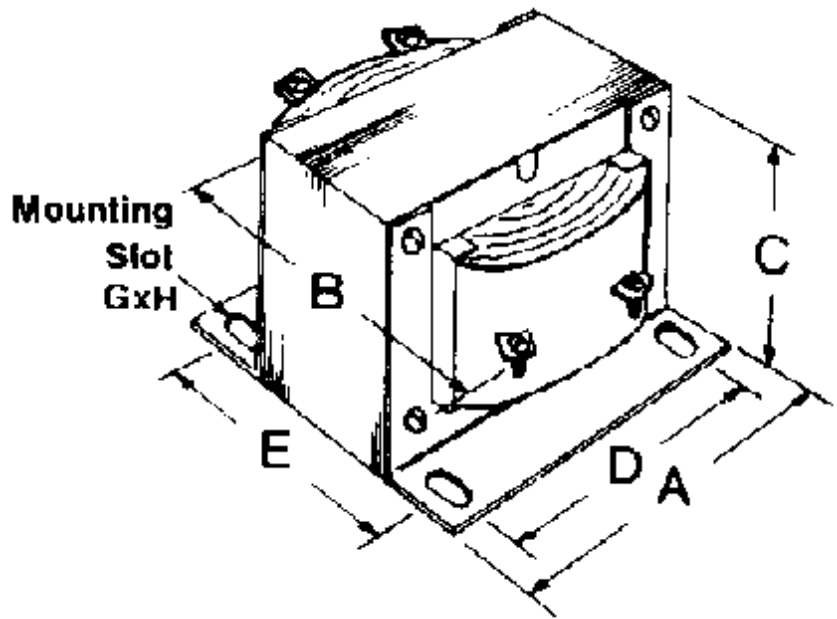
Features



- Used (with 150 Volt full scale A.C. voltmeters) to measure the voltage of 240, 480 or 600 VAC systems.
- Primary insulated for 4.0 KV rms test, suitable for L.V. switchgear and motor control use.
- 50/60 Hz. operation.
- Open construction - "Type H".
- CSA certified (209651).
- The nominal line voltages of 240 and 480 volts may be exceeded by 25% for 60 Hz. operation.
- Insulation system 55 degree C rise, Class 105.



Ask About
Custom
Transformers
& Chokes



Part No.	Nominal Line	Ratio	Accuracy	Thermal	Overall Dimensions	Mounting Centers		Mounting Slot		Ship Wt. Lb.
	Voltage	Pri. / Sec.	%	VA Rating	A B C	D E	G H			
VT55A	240	240:120	1.2	0-8 50	3.00 3.25 2.56	2.50 2.50	0.22 0.44	3		
HX54A	240	240:120	1.2	0-20 100	3.75 4.00 3.13	3.13 3.13	0.22 0.44	6.6		
VT56A	347	347:120	1.2	0-8 50	3.00 3.25 2.56	2.50 2.50	0.22 0.44	3		
VT57A	480	480:120	1.2	0-8 50	3.00 3.25 2.56	2.50 2.50	0.22 0.44	3		
HX74A	480	480:120	1.2	0-20 100	3.75 4.00 3.13	3.13 3.13	0.22 0.44	6.6		
VT59A	600	600:120	1.2	0-8 50	3.00 3.25 2.56	2.50 2.50	0.22 0.44	3		
HX94A	600	600:120	1.2	0-20 100	3.75 4.00 3.13	3.13 3.13	0.22 0.44	6.6		

Data subject to change without notice

