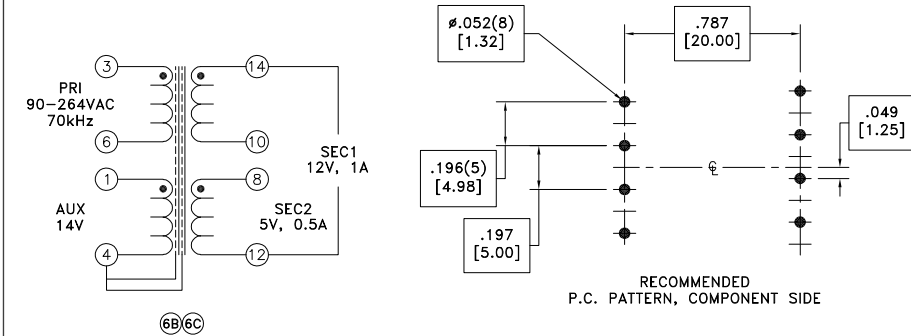
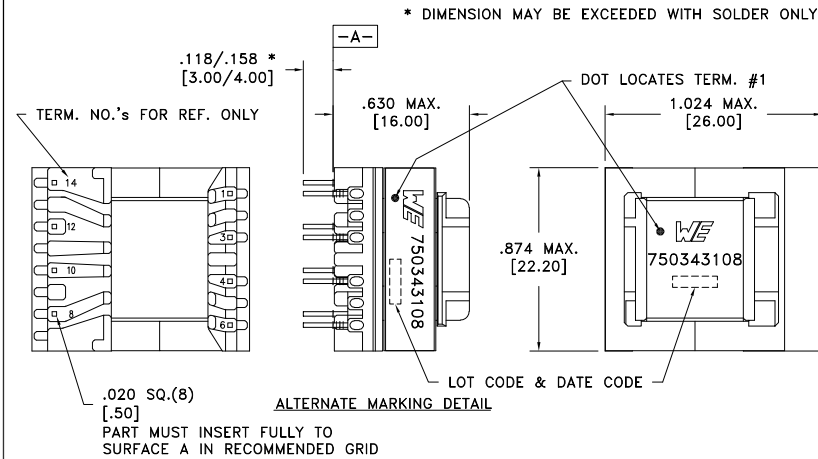


CUSTOMER TERMINAL	RoHS	LEAD(Pb)-FREE
Sn96%, Ag4%	Yes	Yes



ELECTRICAL SPECIFICATIONS @ 25°C unless otherwise noted:

PARAMETER	TEST CONDITIONS	VALUE
D.C. RESISTANCE	3-6 @20°C	0.940 ohms max.
D.C. RESISTANCE	1-4 @20°C	0.100 ohms max.
D.C. RESISTANCE	8-12 @20°C	0.025 ohms max.
D.C. RESISTANCE	14-10 @20°C	0.040 ohms max.
INDUCTANCE	3-6 10kHz, 1.0VAC, Ls	600.0uH ±7%
LEAKAGE INDUCTANCE	3-6 tie(1+4+8+10+12+14), 10kHz, 1.0mVAC, Ls	20uH max.
DIELECTRIC	6-8 tie(3+4, 10+12), 3750VAC, 1 second	-
DIELECTRIC	8-Core tie(10+12), 3750VAC, 1 second	-
TURNS RATIO	(3-6):(1-4)	7.25:1, ±2%
TURNS RATIO	(3-6):(8-12)	14.5:1, ±2%
TURNS RATIO	(3-6):(14-10)	11.6:1, ±2%

GENERAL SPECIFICATIONS:

OPERATING TEMPERATURE RANGE: -40°C to +125°C including temp rise.

Designed to comply with UL1310.

- 6B Designed to comply with the following requirements as defined by IEC62368-1, EN62368-1, UL62368-1/CSA62368-1 and AS/NZS62368.1:
  - Reinforced insulation for a primary circuit at a working voltage of 265Vrms, 400Vpeak, Overvoltage Category II, Pollution Degree 2.

Wire insulation & RoHS status not affected by wire color.  
Wire insulation color may vary depending on availability.

REV.	DATE	Packaging Specifications Method: Tray PKG-0736 www.we-online.com/midcom		Tolerances unless otherwise specified: Angles: ±1° Fractions: ±1/64 Decimals: ±.005 [.13] Footprint: ±.001 [.03]	DRAWING TITLE <b>TRANSFORMER</b>	PART NO. <b>750343108</b>
6C	8/20					
6B	7/20					
6A	3/16	SEE REVISION SHEET FOR REVISION LEVEL		This drawing is dual dimensioned. Dimensions in brackets are in millimeters.	eiSos p/n: 750343108	compliant RoHS SPECIFICATION SHEET 1 OF 1