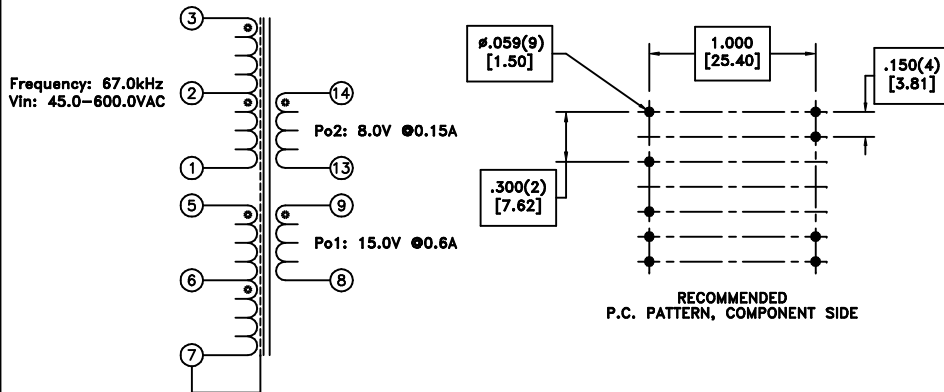
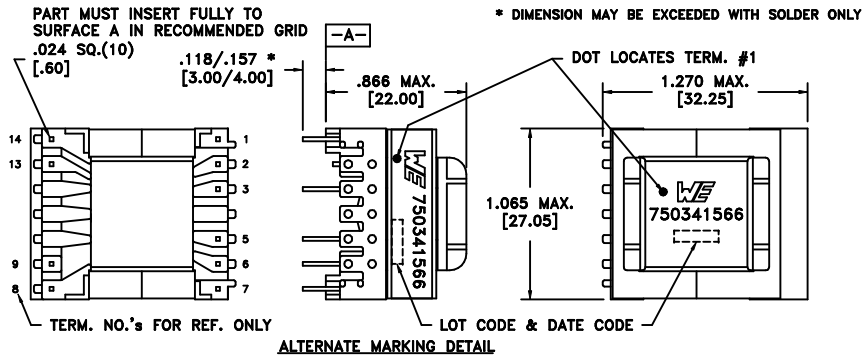


CUSTOMER TERMINAL	RoHS	LEAD(Pb)-FREE
Sn96%, Ag4%	Yes	Yes

more than you expect



**ELECTRICAL SPECIFICATIONS @ 25°C unless otherwise noted:**

PARAMETER	TEST CONDITIONS	VALUE
D.C. RESISTANCE	3-2 @20°C	0.253 ohms max.
D.C. RESISTANCE	2-1 @20°C	0.322 ohms max.
D.C. RESISTANCE	5-6 @20°C	0.438 ohms max.
D.C. RESISTANCE	6-7 @20°C	0.342 ohms max.
D.C. RESISTANCE	14-13 @20°C	0.105 ohms max.
D.C. RESISTANCE	9-8 @20°C	0.065 ohms max.
INDUCTANCE	3-1 10kHz, 1.0VAC, Ls	970.0uH ±10%
LEAKAGE INDUCTANCE	3-1 tie(5+6+7, 14+13, 9+8), 10kHz, 1.0VAC, Ls	20.0uH max.
DIELECTRIC	7-8 tie(3+5, 9+13), 3750VAC, 1 second	-
URNS RATIO	(3-1):(5-6)	8.14:1, ±2%
URNS RATIO	(3-1):(6-7)	11.40:1, ±2%
URNS RATIO	(3-1):(14-13)	9.5:1, ±2%
URNS RATIO	(3-1):(9-8)	5.18:1, ±2%

**GENERAL SPECIFICATIONS:**

OPERATING TEMPERATURE RANGE: -55°C to +125°C including temp rise.

Wire insulation & RoHS status not affected by wire color.  
Wire insulation color may vary depending on availability.

REV.	DATE	Packaging Specifications Method: Tray PKG-0737 www.we-online.com/midcom		Tolerances unless otherwise specified: Angles: ±1° Decimals: ±.005 [.13] Fractions: ±1/64 Footprint: ±.001 [.03]	DRAWING TITLE TRANSFORMER	PART NO. 750341566
6A	2/13	SEE REVISION SHEET FOR REVISION LEVEL	CONVENTION PLACEMENT	This drawing is dual dimensioned. Dimensions in brackets are in millimeters.	eiSos p/n: 750341566	SPECIFICATION SHEET 1 OF 1

