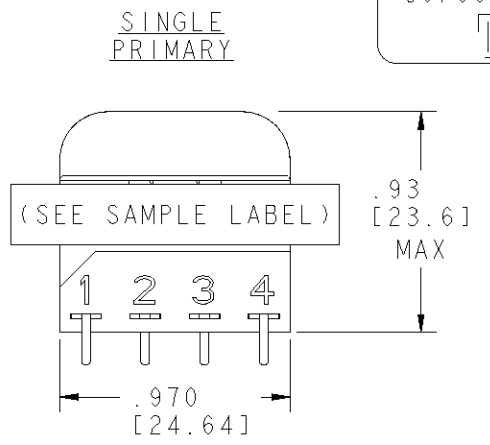
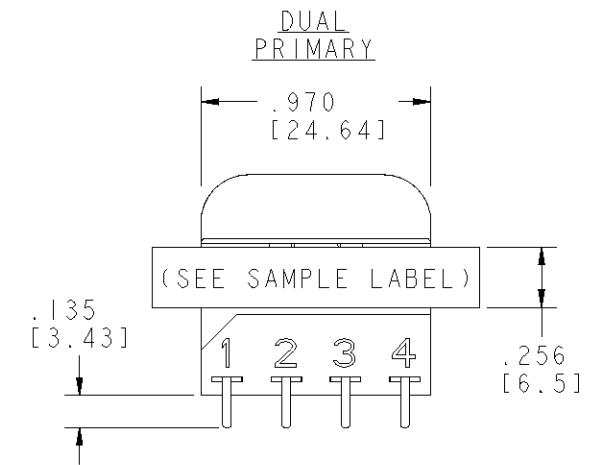


THIS DRAWING IS UNPUBLISHED. RELEASED FOR PUBLICATION 20
 © COPYRIGHT 20 BY ALL RIGHTS RESERVED.

LOC		DIST		REVISIONS			
GZ	00	P	LTR	DESCRIPTION	DATE	OWN	APVD
		F1		REVISED PER ECO-11-005139	28MAR11	RK	HMR

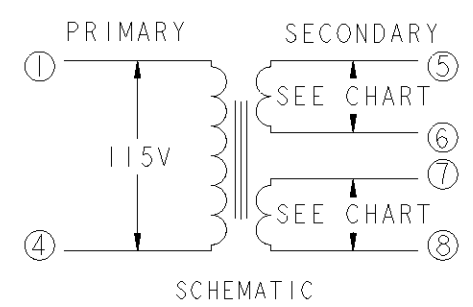
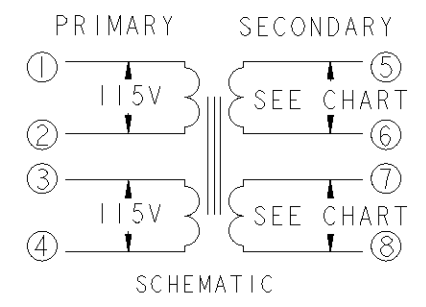
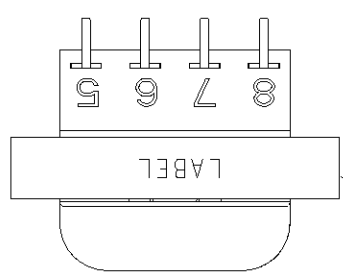
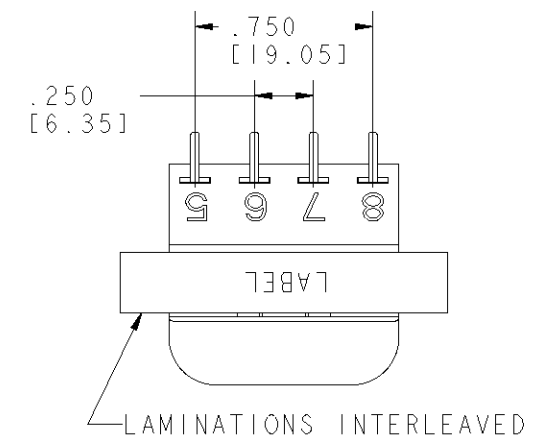
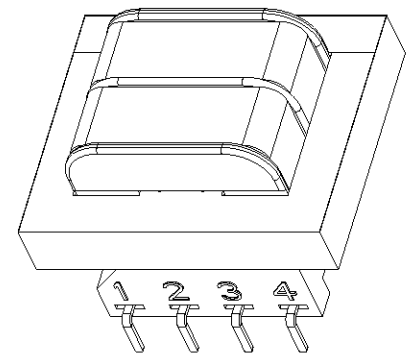
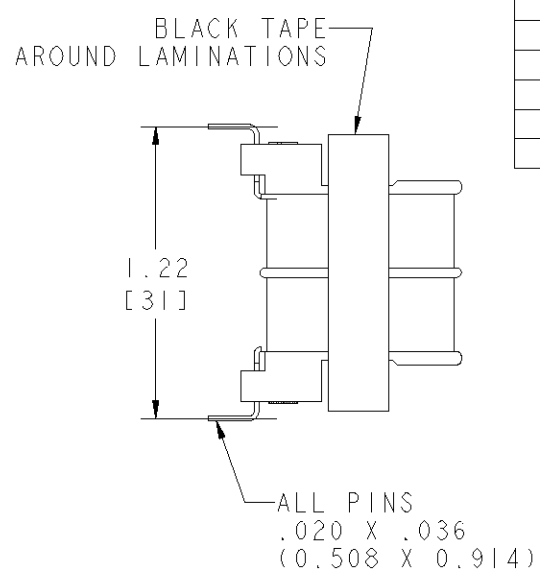
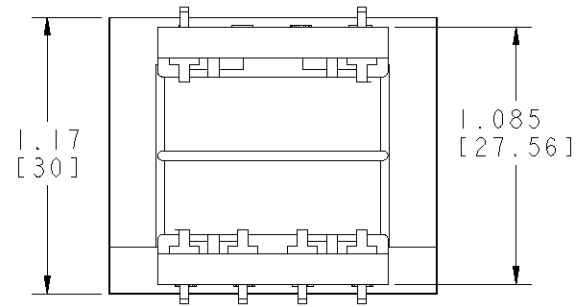
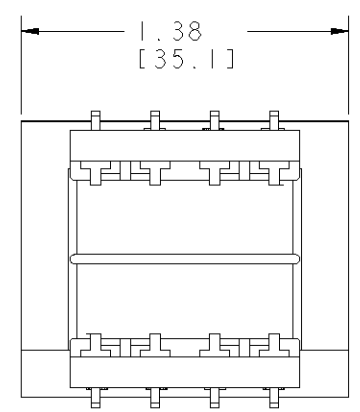
4900-XXXXRA60
 50/60HZ 1.1VA SEC-6/12 VAC
 115V 115V



SAMPLE LABEL
 SCALE: 5:1
 VOLTAGE ON LABEL WILL VARY PER MODEL NUMBER

CERTIFICATION: UL/CUL FILE NO. E102980	HZ.	V.A.
DIMENSIONS FOR REFERENCE ONLY.	50/60	1.1

PRIMARY	SECONDARY		P. U. PART NUMBER	TE Connectivity PART NUMBER
	SERIES	PARALLEL		
115 VAC	12 VCT	6 VAC	4900-8012RA60	1672324-2
115 VAC	12.6 VCT	6.3 VAC	4900-8013RA60	1672324-3
115 VAC	20 VCT	10 VAC	4900-8020RA60	1672324-5
115 VAC	24 VCT	12 VAC	4900-8024RA60	1672324-6
115 VAC	28 VCT	14 VAC	4900-8028RA60	1672324-7
115 VAC	48 VCT	24 VAC	4900-8048RA60	1-1672324-0
115/230 VAC	12 VCT	6 VAC	4900-9012RA60	1-1672324-4
115/230 VAC	12.6 VCT	6.3 VAC	4900-9013RA60	1-1672324-5
115/230 VAC	20 VCT	10 VAC	4900-9020RA60	1-1672324-7
115/230 VAC	24 VCT	12 VAC	4900-9024RA60	1-1672324-8
115/230 VAC	28 VCT	14 VAC	4900-9028RA60	1-1672324-9
115/230 VAC	48 VCT	24 VAC	4900-9048RA60	2-1672324-2



DWN T. SPRINKLE 16 JUL 2008		TE Connectivity	
CHK J. HURLBURT 16 JUL 2008			
APVD J. HURLBURT 16 JUL 2008		NAME	
PRODUCT SPEC		TRANSFORMER OUTLINE	
APPLICATION SPEC		SIZE	CAGE CODE
WEIGHT		DRAWING NO	
CUSTOMER DRAWING		RESTRICTED TO	
SCALE 5:1		SHEET 1 OF 1	
REV F1		A200779 C-4900-RA60	

4900-RA60