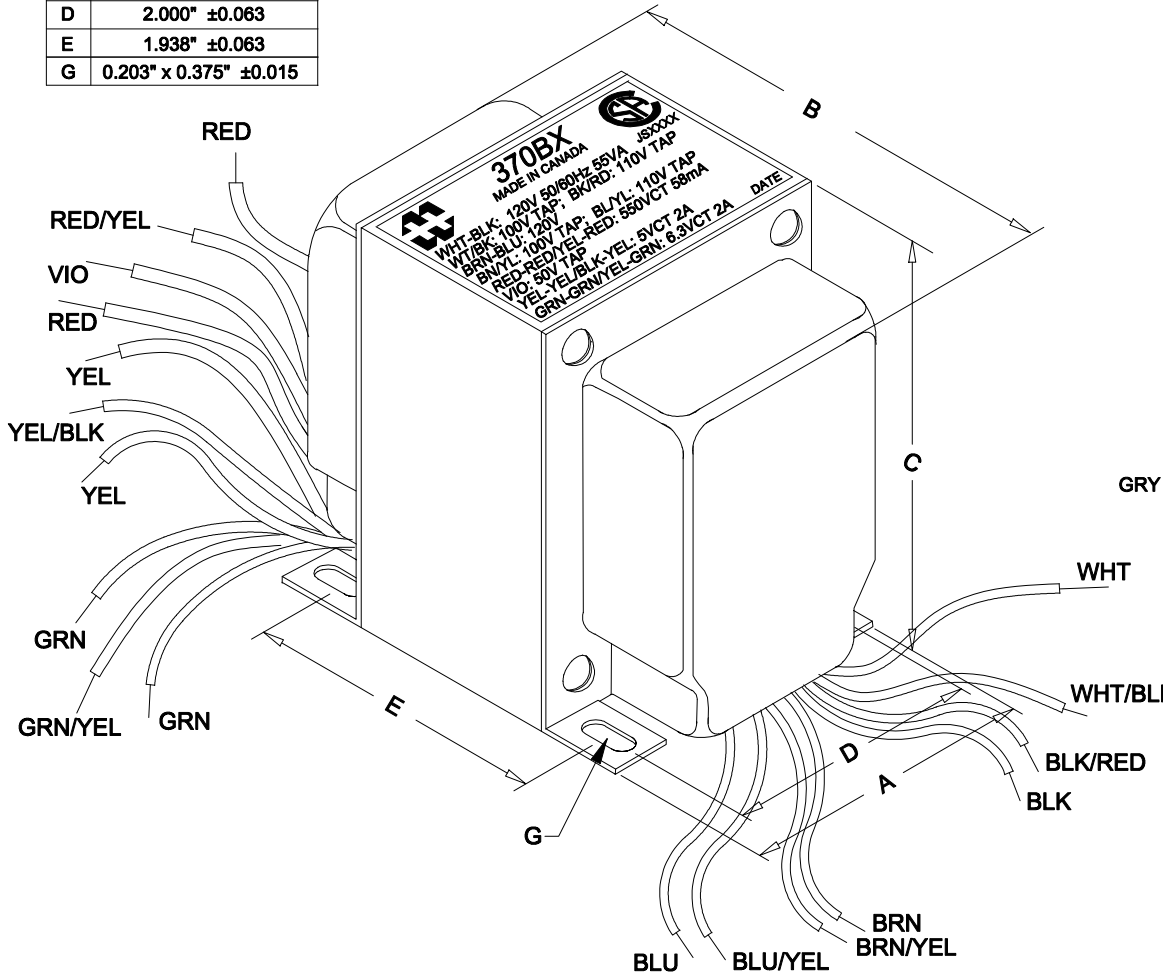
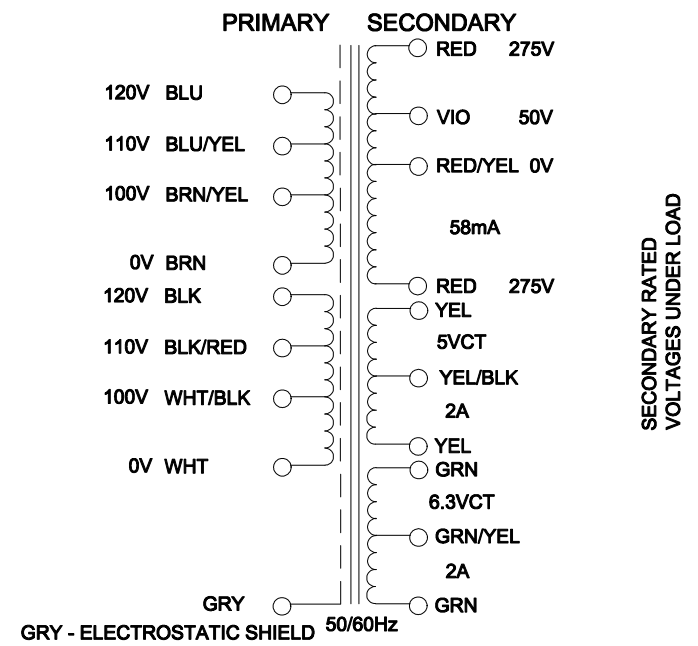


DIMENSIONS:	
A	2.500" ±0.063
B	3.000" ±0.125
C	3.060" ±0.063
D	2.000" ±0.063
E	1.938" ±0.063
G	0.203" x 0.375" ±0.015



NOTE: ALL LEADS 8" OUT MIN. STRIPPED 0.5



SECONDARY RATED VOLTAGES UNDER LOAD

ELECTRICAL DATA:		
TESTS	CONDITIONS	ACCEPTANCE CRITERIA
I _{ex}	@ 120V, 60Hz, WHT - BLK	71mA Max.
Sec. N.L.V	@ 120V, 60Hz, WHT - BLK	
	RED - RED =	601.4V ±2%
	RED - RED/YEL = RED/YEL - RED =	300.7V ±2%
	RED/YEL - VIO =	49.96V ±2%
	YEL - YEL =	5.475V ±2%
	YEL - YEL/BLK = YEL/BLK - YEL =	2.738V ±2%
	GRN - GRN =	6.844V ±2%
	GRN - GRN/YEL = GRN/YEL - GRN =	3.422V ±2%
DCR	@ 20°C, WHT - BLK =	18.26 Ω ±20%
	@ 20°C, BRN - BLU =	19.62 Ω ±20%
	@ 20°C, RED - RED =	434.8 Ω ±20%
	@ 20°C, YEL - YEL =	0.136 Ω ±20%
	@ 20°C, GRN - GRN =	0.163 Ω ±20%
HIPOT	PRIMARY - SECONDARY	2500V, 60Hz, 1 SEC

REV.#	REVISION	DATE
0	RELEASED. C.I.	09/07/12

HAMMOND MANUFACTURING™ ELECTRONIC DIVISION
 52 RANKIN PLACE, WATERLOO, ONTARIO, N2J 3Z5
 PH # (519) 886-6181 FAX # (519) 886-9540

DWG. BY: C. ILIE	CHK'D BY:	TITLE: POWER TRANSFORMER	DWG. NO. 370BX
DATE: 09/07/12	APP'D. BY:		
	DIMENSIONS: IN(X) MM()		