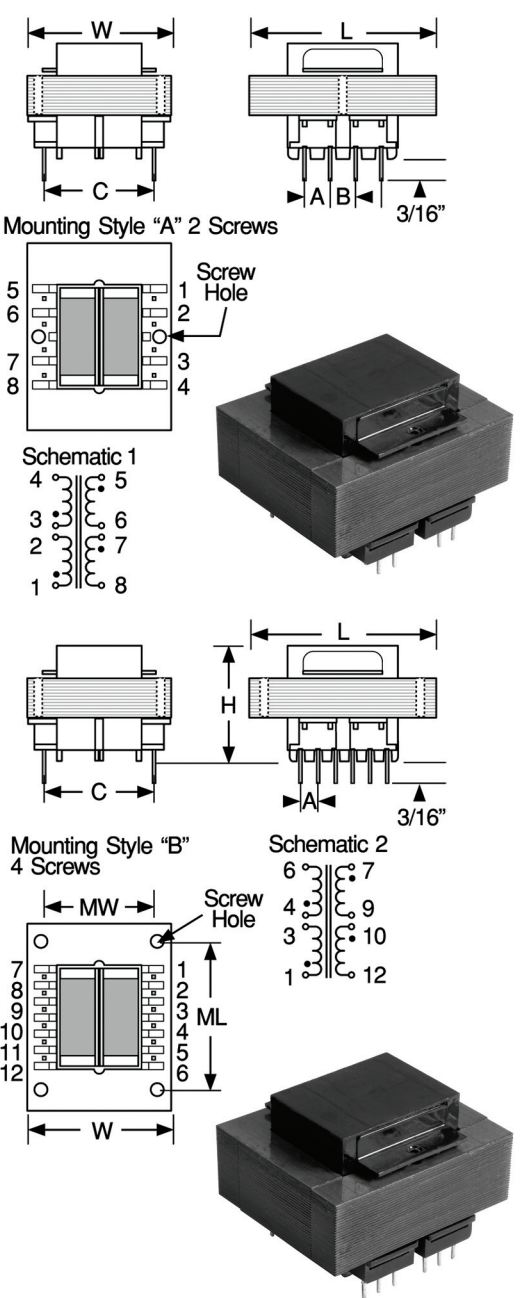


# SERIES

**6443R-6448R**  
**6443-6448**



## VDE PC Mount Transformers



PART NUMBER*	SECONDARY VOLTAGE		SECONDARY CURRENT		PARALLEL CONNECTION		PARALLEL CONNECTION		MOUNTING STYLE	SCHEMATIC
	VA	CONNECTION	CONNECTION	SERIES	SERIES	CONNECTION	CONNECTION			
6443-010	2.5	115/230	10.0	5.0	0.250	0.50	1	A		
6443-012	2.5	115/230	12.6	6.3	0.200	0.40	1	A		
6443-016	2.5	115/230	16.0	8.0	0.150	0.30	1	A		
6443-020	2.5	115/230	20.0	10.0	0.120	0.24	1	A		
6443-024	2.5	115/230	24.0	12.0	0.100	0.20	1	A		
6443-028	2.5	115/230	28.0	14.0	0.090	0.18	1	A		
6443-036	2.5	115/230	36.0	18.0	0.070	0.14	1	A		
6444-010	5	115/230	10.0	5.0	0.500	1.00	1	A		
6444-012	5	115/230	12.6	6.3	0.400	0.80	1	A		
6444-016	5	115/230	16.0	8.0	0.310	0.62	1	A		
6444-020	5	115/230	20.0	10.0	0.250	0.50	1	A		
6444-024	5	115/230	24.0	12.0	0.210	0.42	1	A		
6444-028	5	115/230	28.0	14.0	0.180	0.36	1	A		
6444-036	5	115/230	36.0	18.0	0.140	0.28	1	A		
6445-010	10	115/230	10.0	5.0	1.000	2.00	1	A		
6445-012	10	115/230	12.6	6.3	0.800	1.60	1	A		
6445-016	10	115/230	16.0	8.0	0.620	1.25	1	A		
6445-020	10	115/230	20.0	10.0	0.500	1.00	1	A		
6445-024	10	115/230	24.0	12.0	0.420	0.84	1	A		
6445-028	10	115/230	28.0	14.0	0.360	0.73	1	A		
6445-036	10	115/230	36.0	18.0	0.280	0.56	1	A		
6446-010	20	115/230	10.0	5.0	2.000	4.00	2	A		
6446-012	20	115/230	12.6	6.3	1.600	3.30	2	A		
6446-016	20	115/230	16.0	8.0	1.250	2.50	2	A		
6446-020	20	115/230	20.0	10.0	1.000	2.00	2	A		
6446-024	20	115/230	24.0	12.0	0.830	1.66	2	A		
6446-028	20	115/230	28.0	14.0	0.720	1.44	2	A		
6446-036	20	115/230	36.0	18.0	0.560	1.12	2	A		
6447-010	30	115/230	10.0	5.0	3.000	6.00	2	B		
6447-012	30	115/230	12.6	6.3	2.400	4.80	2	B		
6447-016	30	115/230	16.0	8.0	1.900	3.80	2	B		
6447-020	30	115/230	20.0	10.0	1.500	3.00	2	B		
6447-024	30	115/230	24.0	12.0	1.250	2.50	2	B		
6447-028	30	115/230	28.0	14.0	1.060	2.12	2	B		
6447-036	30	115/230	36.0	18.0	0.820	1.64	2	B		
6448-010	56	115/230	10.0	5.0	5.600	11.20	2	B		
6448-012	56	115/230	12.6	6.3	4.400	8.80	2	B		
6448-016	56	115/230	16.0	8.0	3.500	7.00	2	B		
6448-020	56	115/230	20.0	10.0	2.800	5.60	2	B		
6448-024	56	115/230	24.0	12.0	2.330	4.66	2	B		
6448-028	56	115/230	28.0	14.0	2.000	4.00	2	B		
6448-036	56	115/230	36.0	18.0	1.560	3.12	2	B		

\*Complete part # must include series # PLUS the dash #

- UL Certified** Recognized component Underwriters Labs, Inc®; CSA Labeled
- Primary Voltage** Available in either 115V or dual 115/230V
- Operating Frequency** 50/60 Hz
- Operating Temperature** 130°C
- 4000 V RMS Hipot
- Split bobbin non-concentric winding
- Designed to pass VDE creepage distance
- Note** Dots on schematic indicate like polarity

Physical Parameters & Mounting Information																			Screw size	# Terminals		
Pin width (sq.)												MW		ML		Weight						
L		W		H		A		B		C		in. mm		in. mm		in. mm		lbs. kg				
6443	1.63	41.40	1.44	36.58	1.13	28.70	0.20	5.08	0.25	6.35	1.00	25.40	0.025	0.63	1.06	26.92	—	—	0.25	113	4	8
6444	1.63	41.40	1.44	36.58	1.38	35.05	0.20	5.08	0.40	10.16	1.00	25.40	0.025	0.63	1.06	26.92	—	—	0.37	167	4	8
6445	1.88	47.75	1.56	39.62	1.38	35.05	0.20	5.08	0.40	10.16	1.14	28.96	0.036	0.91	1.25	31.75	—	—	0.53	240	4	8
6446	2.25	57.15	1.88	47.75	1.63	41.40	0.40	10.16	0.40	10.16	1.46	37.08	0.036	0.91	1.50	38.10	—	—	0.90	408	4	12
6447	2.63	66.80	2.19	55.63	1.56	39.62	0.28	7.11	—	—	1.68	42.67	0.045	1.14	1.75	44.45	2.19	55.63	1.15	521	6	12
6448	3.00	76.20	2.50	63.50	1.81	45.97	0.30	7.62	—	—	1.90	48.26	0.045	1.14	2.00	50.80	2.50	63.50	1.70	771	6	12

