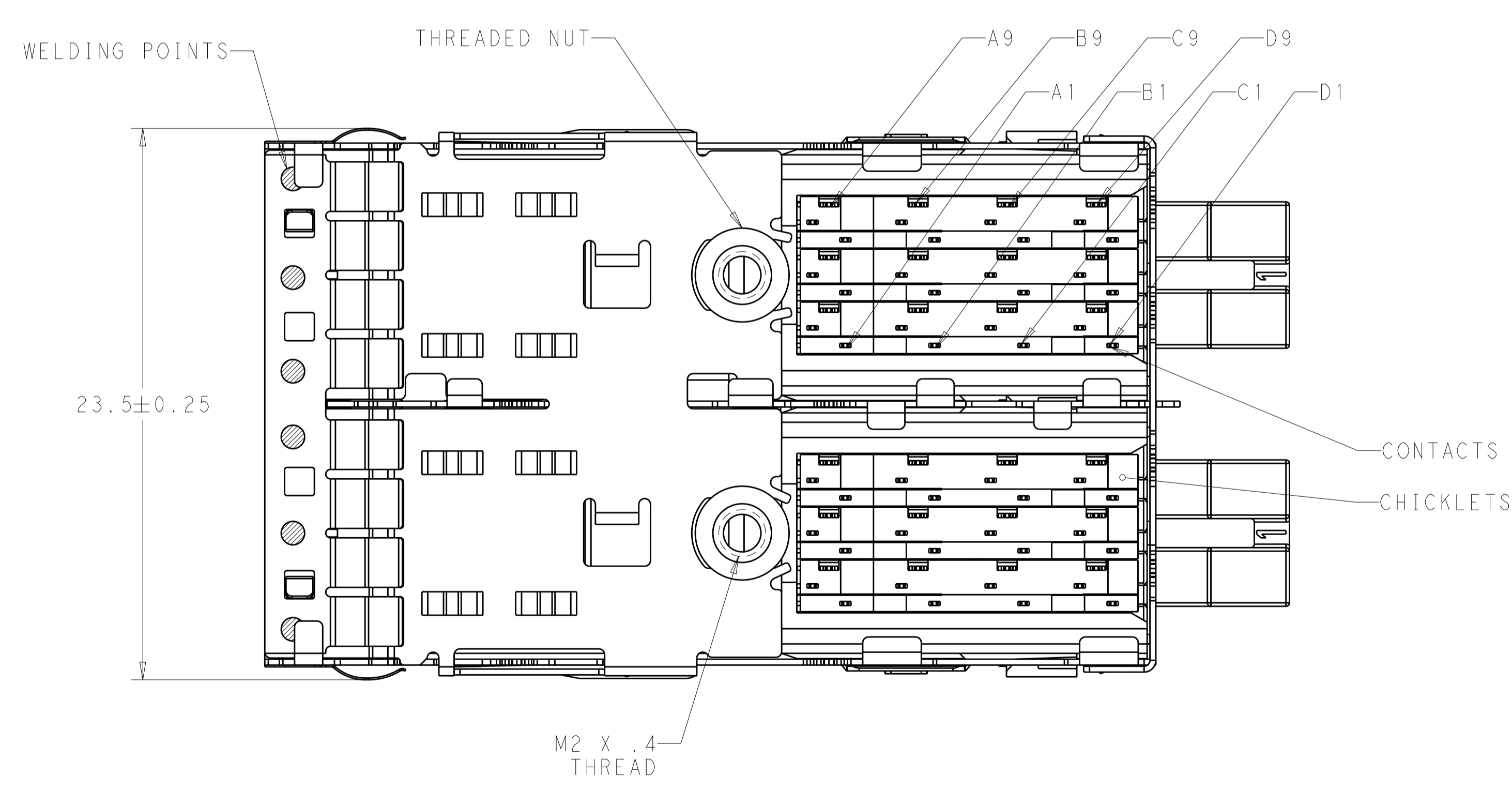
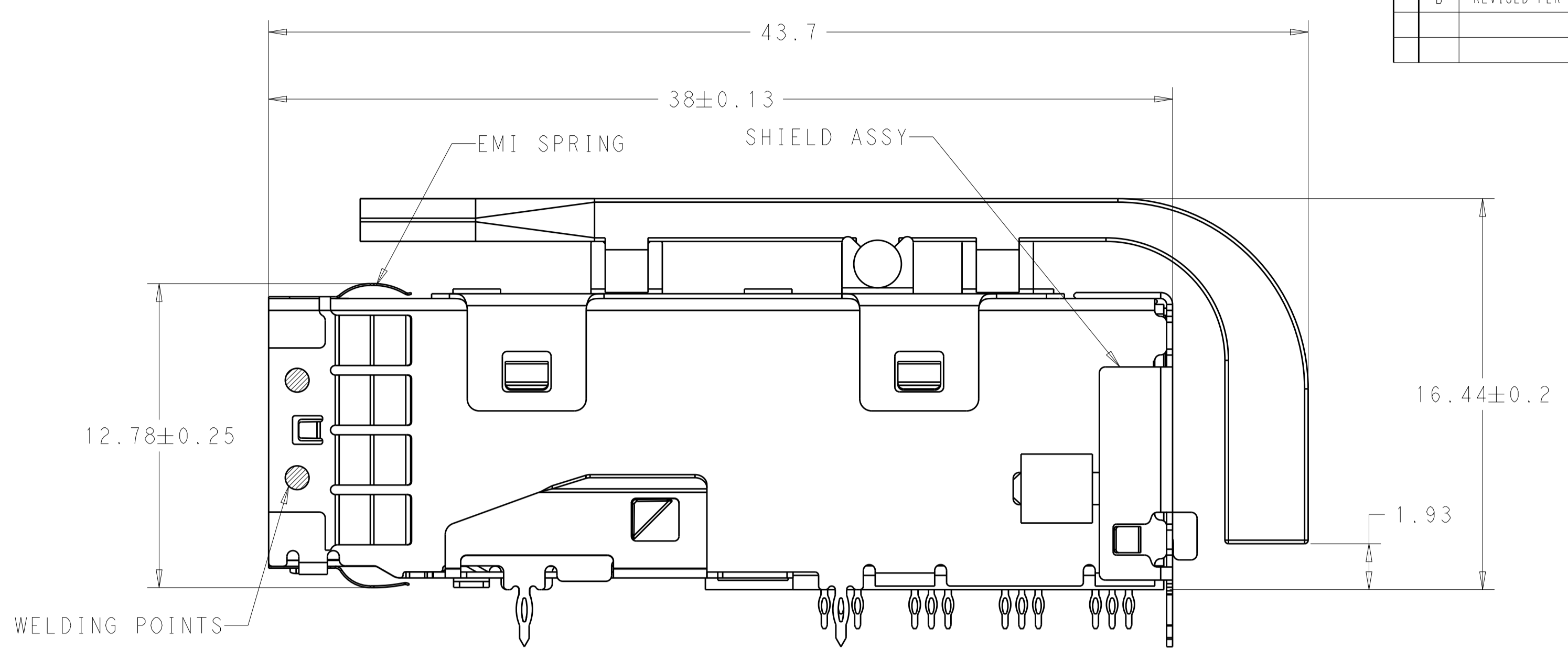
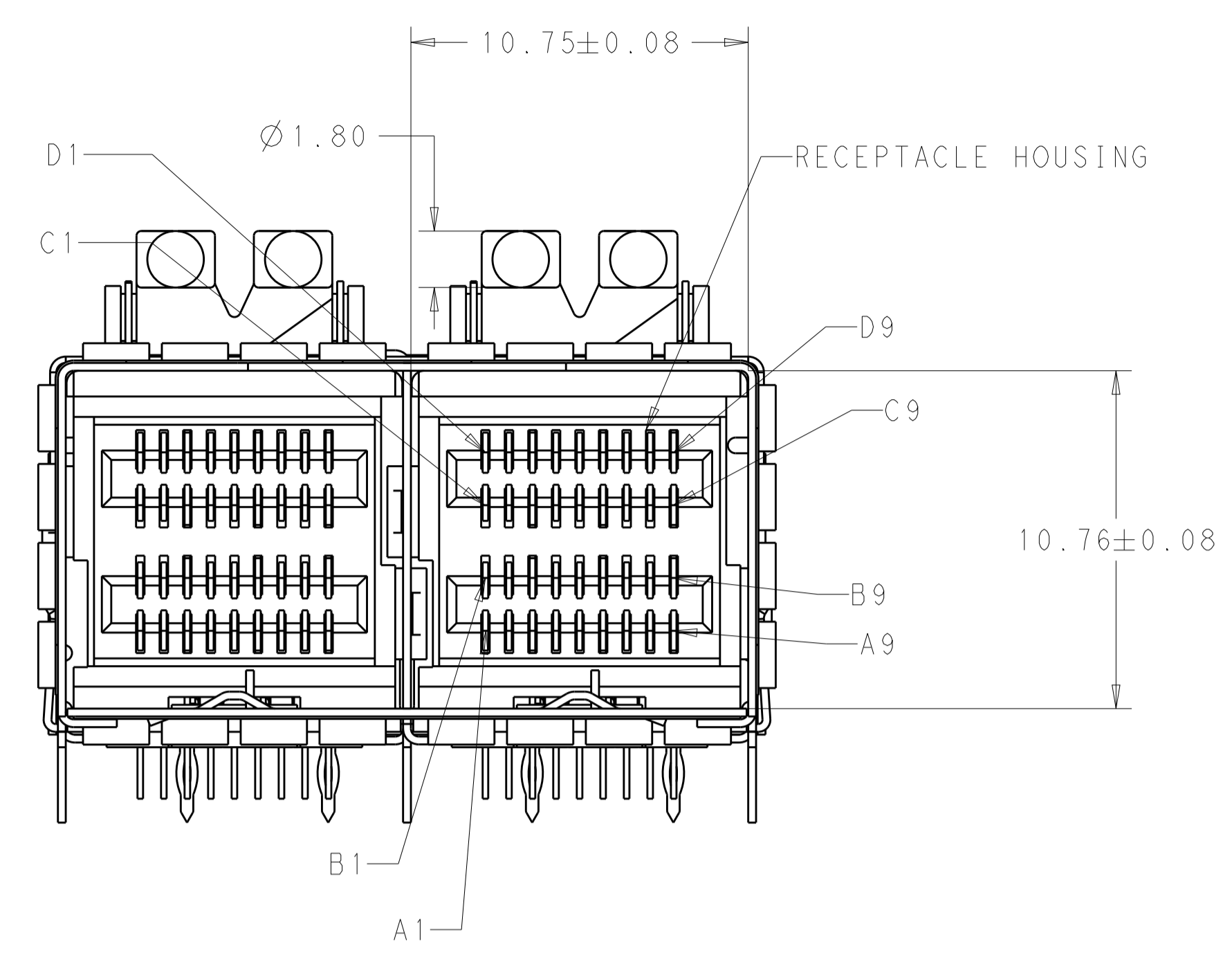


LOC		DIST		REVISIONS			
P	LTN	DESCRIPTION	DATE	DWN	APVD		
A		REVISED PER ECO-14-018497	17DEC2014	AP	DG		
B		REVISED PER ECO-15-013876	16MAY2016	JY	SH		



- MATERIALS**  
 RECEPTACLE HOUSING: LCP, BLACK, UL94V-0 RATED  
 SHIELD ASSY: NICKEL-SILVER COPPER ALLOY  
 CONTACTS: COPPER ALLOY  
 EMI SPRING: COPPER ALLOY  
 THREADED NUT: BRASS  
 CHICKLETS: LCP, BLACK, UL 94V-0 RATED  
 LIGHTPIPE CLIP: STAINLESS STEEL  
 LIGHTPIPE: POLYCARBONATE
  - FINISH**  
 EMI SPRING: TIN PLATE OVER NICKEL PLATE  
 NON-PLATED EDGES PERMISSABLE  
 THREADED NUT: NICKEL PLATE
- ⚠ CONTACT FINISH: CONFORMS TO THE REQUIREMENTS OF TE PRODUCT SPECIFICATION, 108-2462. BASED ON EIA/ECA-364-1000.01A. (CONTROLLED ENVIRONMENT APPLICATIONS) ON MATING END. TIN PLATED ON PCB TAIL
4. THREAD LENGTH OF FASTENER = PCB THICKNESS+1.45 MAX
- ⚠ RECOMMENDED TRACE KEEP OUT ZONE

LOWER HEIGHT	14.53	2198483-2
STANDARD HEIGHT	15.54	2198483-1
LIGHT PIPE	H HOLE HIGHT OF LP	PART NUMBER

2198483-1 AS SHOWN

THIS DRAWING IS A CONTROLLED DOCUMENT. DWN: J. SECHRIST 15NOV2011  
 CHK: J. SECHRIST 15NOV2011  
 APVD: J. SECHRIST

DIMENSIONS: mm  
 TOLERANCES UNLESS OTHERWISE SPECIFIED:  
 0 PLC ±  
 1 PLC ±0.25  
 2 PLC ±0.13  
 3 PLC ±  
 4 PLC ±  
 ANGLES ±  
 FINISH ±

MATERIAL: -

PRODUCT SPEC: 108-2462  
 APPLICATION SPEC: 114-13316  
 WEIGHT: -

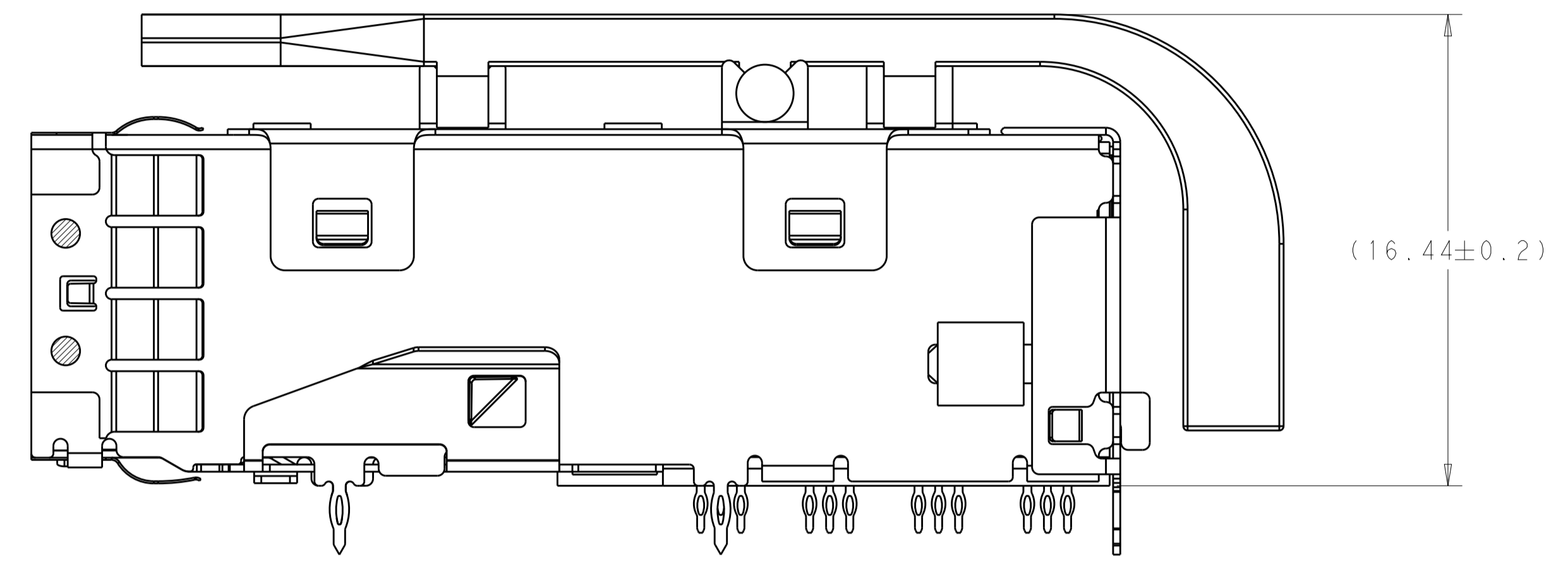
CUSTOMER DRAWING

NAME: RECEPTACLE ASSEMBLY, MINI-SAS HD, 2X W/ LIGHT PIPES  
 SIZE: A1  
 CAGE CODE: 00779  
 DRAWING NO: 2198483

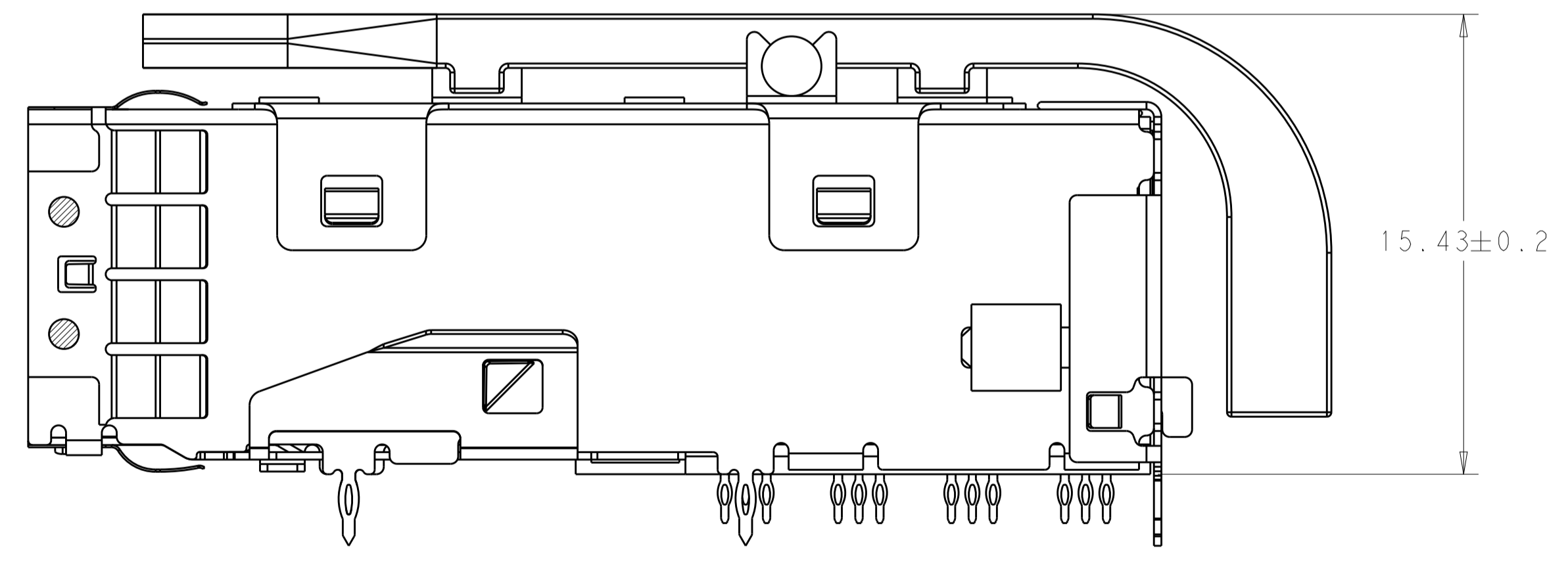
RESTRICTED TO: -

SCALE: 6:1 SHEET 1 OF 4 REV B

LOC	DIST	REVISIONS			
P.	LTN	DESCRIPTION	DATE	DWN	APVD
-	-	SEE SHEET 1	-	-	-



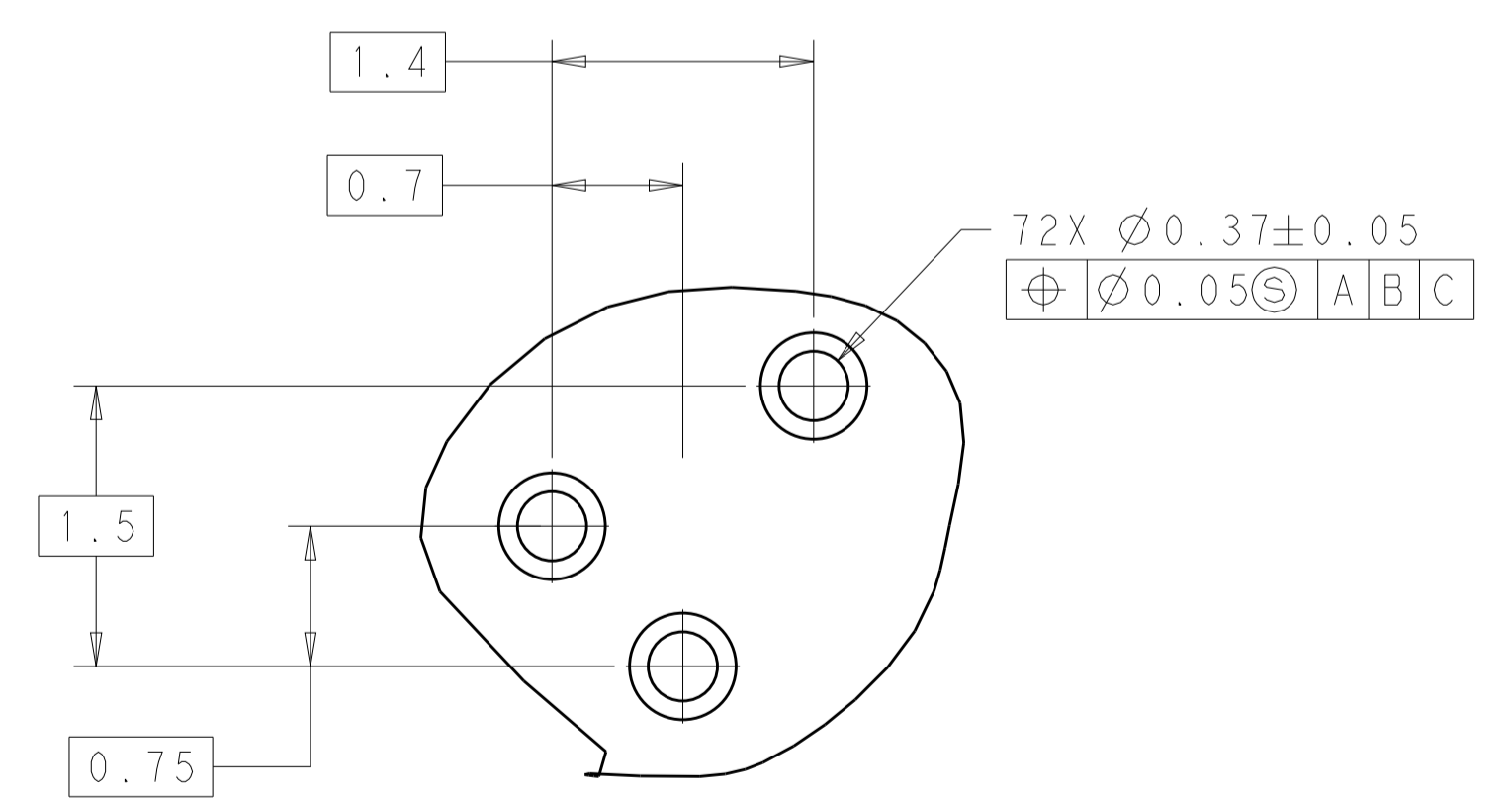
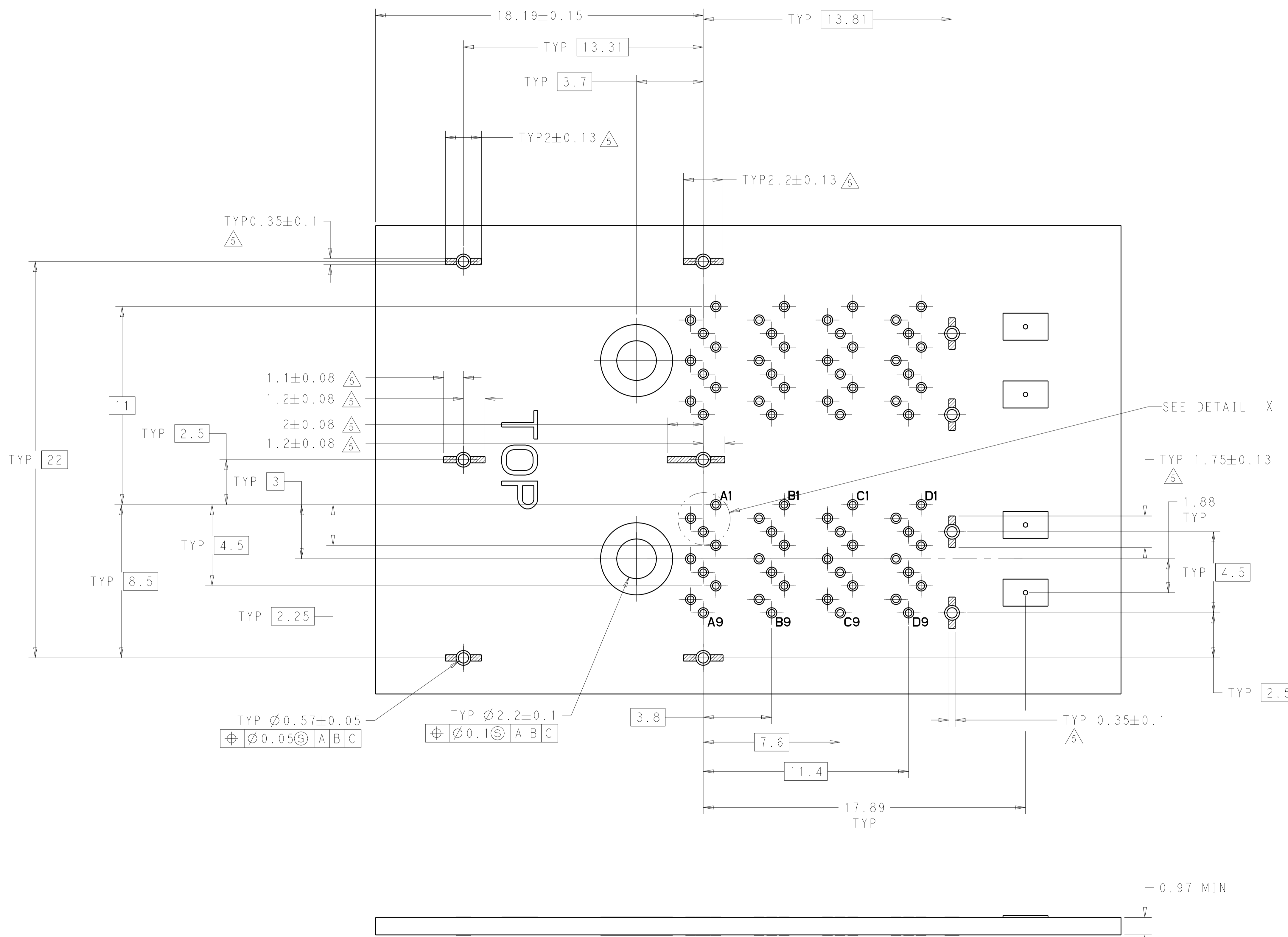
2198483-1  
SCALE 6:1



2198483-2  
UNSPECIFIED DIMENSIONS ARE SAME AS 2198483-1  
SCALE 6:1

THIS DRAWING IS A CONTROLLED DOCUMENT.		DWN J. SECHRIST 15NOV2011	
DIMENSIONS: mm		CHK J. SECHRIST 15NOV2011	
TOLERANCES UNLESS OTHERWISE SPECIFIED: 0 PLC ± 1 PLC ±0.25 2 PLC ±0.13 3 PLC ± 4 PLC ± ANGLES ± FINISH ±		APVD J. SECHRIST	NAME RECEPTACLE ASSEMBLY, MINI-SAS HD, 2X W/ LIGHT PIPES
MATERIAL		PRODUCT SPEC 108-2462	SIZE A100779C=2198483
		APPLICATION SPEC 114-13316	RESTRICTED TO
		WEIGHT	SCALE 6:1 SHEET 2 OF 4 REV B
		Customer Drawing	

LOC	DIST	REVISIONS			
P	LTN	DESCRIPTION	DATE	DWN	APVD
-	-	SEE SHEET 1	-	-	-

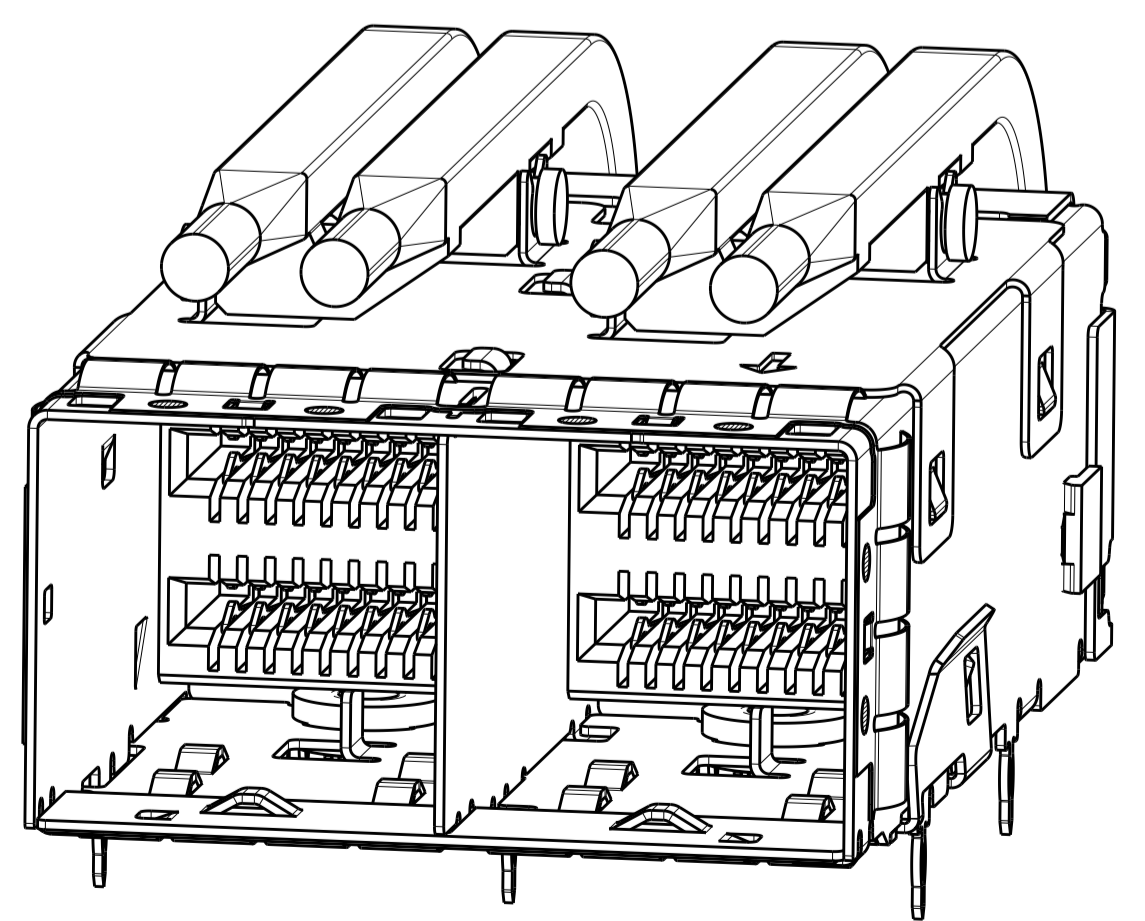
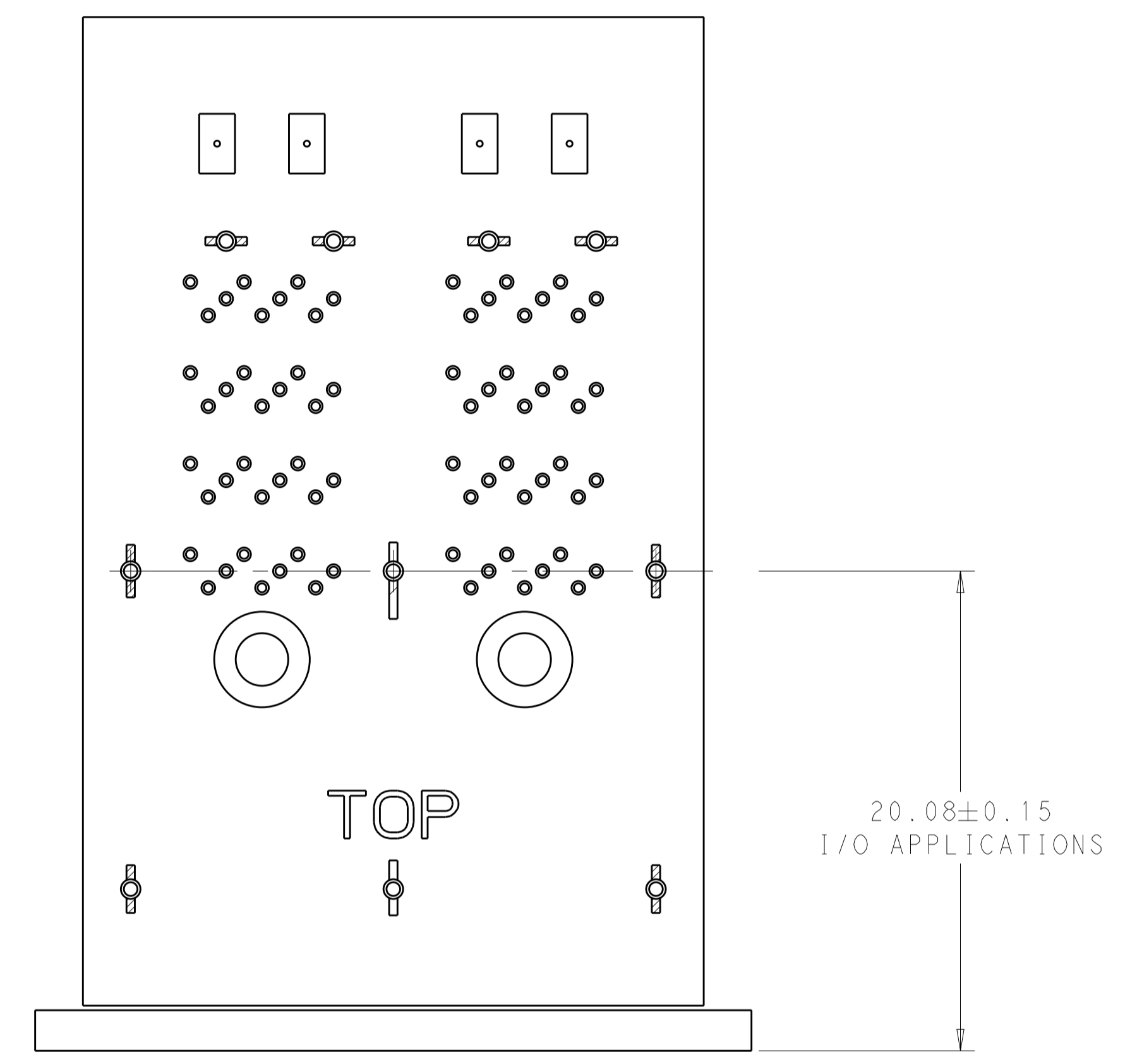
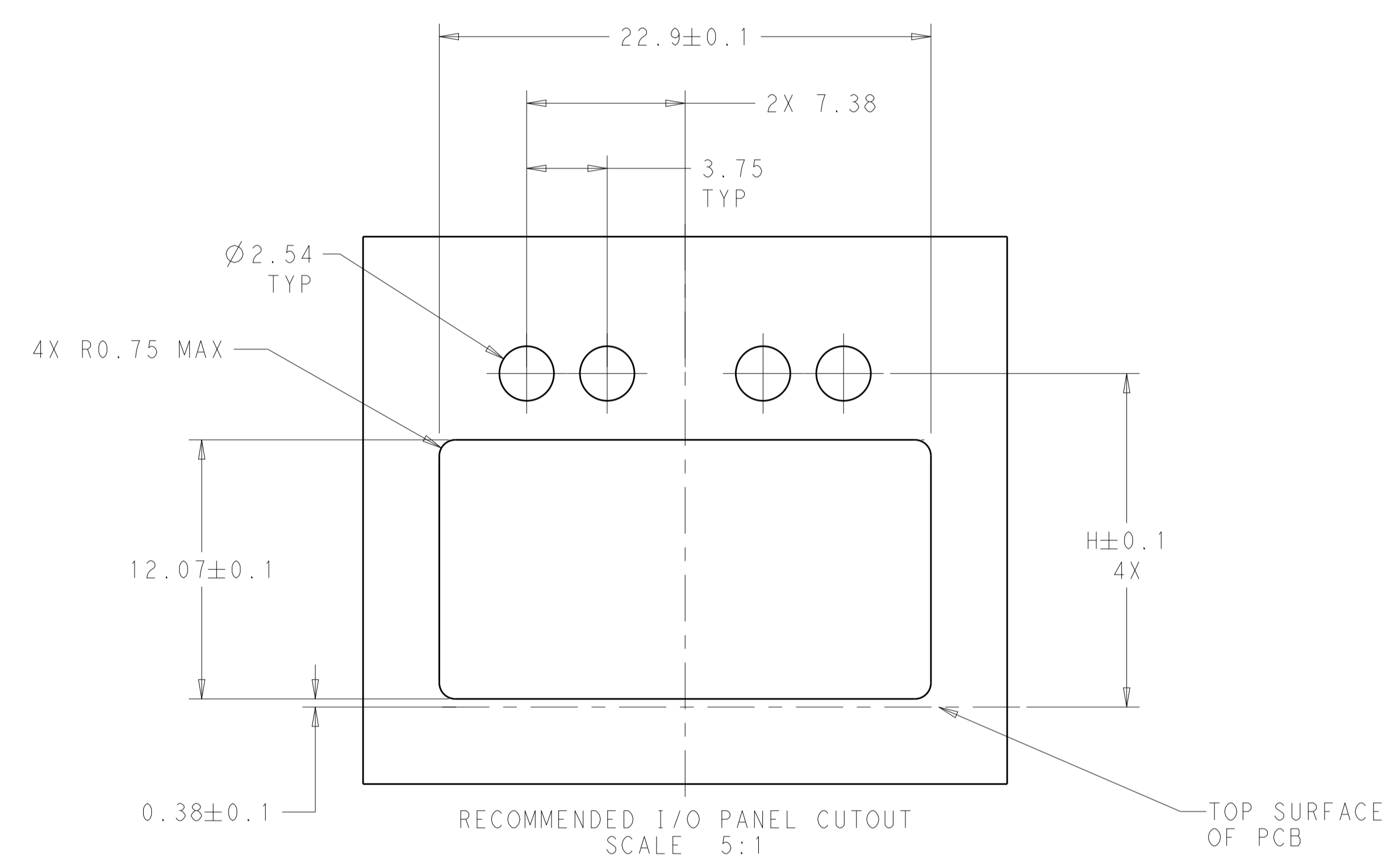


DETAIL X  
SCALE 25:1

RECOMMENDED PCB LAYOUT

THIS DRAWING IS A CONTROLLED DOCUMENT.		DWN J. SECHRIST 15NOV2011	 TE Connectivity
DIMENSIONS: mm		CHK J. SECHRIST 15NOV2011	
TOLERANCES UNLESS OTHERWISE SPECIFIED:		APVD	NAME
0 PLC ±	1 PLC ±0.25	PRODUCT SPEC	RECEPTACLE ASSEMBLY, MINI-SAS HD, 2X
2 PLC ±0.13	3 PLC ±	APPLICATION SPEC	W/ LIGHT PIPES
4 PLC ±	ANGLES ±	114-13316	SIZE
MATERIAL	FINISH	WEIGHT	CAGE CODE DRAWING NO
-	-	-	A100779C=2198483
Customer Drawing		SCALE 6:1	RESTRICTED TO
		SHEET 3 OF 4	REV B

LOC	DIST	REVISIONS			
P	LTN	DESCRIPTION	DATE	DWN	APVD
-	-	SEE SHEET 1	-	-	-



THIS DRAWING IS A CONTROLLED DOCUMENT.		DWN: J. SECHRIST 15NOV2011	TE Connectivity
DIMENSIONS: mm		CHK: J. SECHRIST 15NOV2011	
TOLERANCES UNLESS OTHERWISE SPECIFIED:		APVD: J. SECHRIST	NAME: RECEPTACLE ASSEMBLY, MINI-SAS HD, 2X W/ LIGHT PIPES
0 PLC ±	1 PLC ±0.25	PRODUCT SPEC: 108-2462	SIZE: A1
2 PLC ±0.13	3 PLC ±	APPLICATION SPEC: 114-13316	CAGE CODE: 00779
4 PLC ±	ANGLES ±	WEIGHT: -	DRAWING NO: C=2198483
MATERIAL: -	FINISH: -	Customer Drawing	RESTRICTED TO: -
SCALE: 6:1			SHEET: 4 OF 4
REV: B			