

PLEASE CHECK WWW.MOLEX.COM FOR LATEST PART INFORMATION

Part Number: [0011402001](#)
Status: **Active**
Overview: [Application Tooling](#)
Description: Terminator Die

Documents:

[RoHS Certificate of Compliance \(PDF\)](#)

General

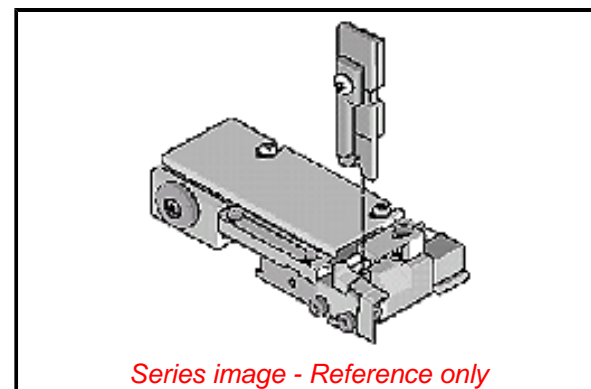
Product Family	Application Tooling
Series	207122
Function	Crimp
Geographic Area	Global
Level of Automation	Semi-Automatic
More Detailed Tech Information	applicationtooling@molex.com
Overview	Application Tooling
Product Name	N/A
Taxonomy	Applicators and Crimp Modules
Tool Type	Terminator Die
UPC	800753606692
Warranty Disclaimer	CAUTION: Molex tooling crimp specifications are valid only when used with Molex terminals and tooling manufactured by Molex and sold by Molex or authorized distributors ("Molex Tooling"). When using tooling other than Molex Tooling with Molex specific connector systems listed in our ATS documents, the Molex tooling qualification does not apply and the responsibility for full qualification of the connector system is that of the customer. Molex accepts no liability for connector performance or tooling support where tooling other than Molex Tooling is used or where Molex Tooling is modified.

Material Info

Engineering Number T8300A

Reference - Drawing Numbers

Application Tooling Documents
 ATS-011402001-001, TM-638000029-001, TM-638000029CN-001, TM-638000029DE-001, TM-638000029FR-001, TM-638000029IT-001, TM-638000029JP-001, TM-638000029KR-001, TM-638000029MY-001, TM-638000029PL-001, TM-638000029RU-001, TM-638000029SK-001, TM-638000029SP-001, TM-638000029TH-001, TM-638000029TW-001, TM-638000029VN-001, TM-638500090-001, TM-638500090SP-001



EU ELV

Not Relevant

EU RoHS

Not Reviewed

REACH SVHC

Not Reviewed

Halogen-Free

Status

Not Relevant

For more information, please visit [Contact US](#)

China ROHS

Not Relevant

ELV

Not Relevant

RoHS Phthalates

Not Reviewed

Search Parts in this Series

[207122 Series](#)

Use With

Molex TM-42 Press [690025001](#) and Base Unit [11193001](#) for the 3BF Press

Application Tooling | **FAQ**

Description | **Product #**

2.36mm Diameter, [2091102](#)
 Standard .093" Pin and Socket Double Crimp Terminal, Series 1189, Female, with Tin (Sn) Plated Brass Contact, 14-20 AWG, Reel

2.36mm Diameter, [2091205](#)
 Standard .093" Pin and Socket Crimp Terminal, Series 4550, Female, with Tin (Sn) Plated Phosphor Bronze Contact, 14-20 AWG, Reel

2.36mm Diameter, [2092101](#)
Standard .093" Pin
and Socket Double
Crimp Terminal,
Series 1190, Male,
with Tin (Sn) Plated
Brass Contact, 14-20
AWG, Reel

2.36mm Diameter, [2092166](#)
Standard .093" Pin
and Socket Crimp
Terminal, Series
4549, Male, with
Tin (Sn) Plated
Phosphor Bronze
Contact, 14-20 AWG,
Reel Packaged

2.36mm Diameter, [2095100](#)
Standard .093" Pin
and Socket Double
Crimp Terminal,
Series 1189, Female,
with Gold (Au) Plated
Brass Contact, 14-20
AWG, Reel

2.36mm Diameter, [2096100](#)
Standard .093" Pin
and Socket Double
Crimp Terminal,
Series 1190, Male,
with Gold (Au) Plated
Brass Contact, 14-20
AWG, Reel

This document was generated on 10/08/2022

PLEASE CHECK WWW.MOLEX.COM FOR LATEST PART INFORMATION