



VIPER Remote Control

Features:

- 433MHz FM Technology
- 1 – 4 Channels each 1000W Rated
- Up to 150 metres Range
- Supply 12-30Vdc
- Transmitter - IP67
(with IP Sealing Kit)
- Waterproof Receiver (IP68)
- High Security RF Protocol
- 4 Relays 7A @ 230Vac
- Outputs Momentary or Latching
- Any Switch Map to Any Relay Output
- Systems supplied 'ready to Go'
- RED / FCC Compliant for Europe / USA



Intended Use:

- General Purpose Remote Switching
- Garage Doors
- Electric Gates, Shutters
- All known Lighting types (LED, fluorescent, halogen, tungsten, xenon; etc).

Description:

Housed in a rugged IP68 weatherproof enclosure (receiver only), The VIPER system is ideally suited to any outside Remote switch requirement.

Each receiver has 4 relays, using the 'easy-learn' process each relay can be controlled from any switch on any transmitter.

Installation is by screw terminals to the power supply, and the output relay contacts. The output relays are activated by the button press on the transmitter encoder.

Ordering Information:

Systems Operating from 12-30Vdc



Part Number	Description	Receiver Power Supply	Range** (Metres)
VIPER-S1	System 1 channel	12-30Vdc	150
VIPER-S2	System 2 channel	12-30Vdc	150
VIPER-S4	System 4 channel	12-30Vdc	150
HORNET-RX	Receiver 4 Channel	12-30Vdc	

**Range stated is optimum, direct line of sight. In worst conditions this can be reduced by over 50%

Additional Transmitters:



Transmitters ship with; Wall Mounting Cradle

Lanyard

Part Number	Description
FIREFLY-TX1	Transmitter 1 switch
FIREFLY-TX2	Transmitter 2 switch
FIREFLY-TX4	Transmitter 4 switch
FIREFLY-TX8	Transmitter 8 switch
FIREFLY-TX16	Transmitter 16 switch (8Sw + Shift Key)
FIREFLY-TX-IPKIT	'O' Ring, Seals Transmitter to IP67

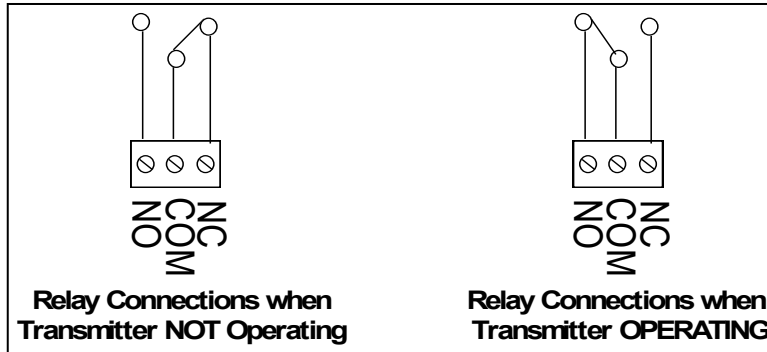
Custom Version:

To create a custom version requires just a Sticker!
Please contact Sales for further info.



Data Outputs

Each output relay provides a Volt free switch. Connections are Common (COM), Normally Open (NO) and Normally Closed (NC).

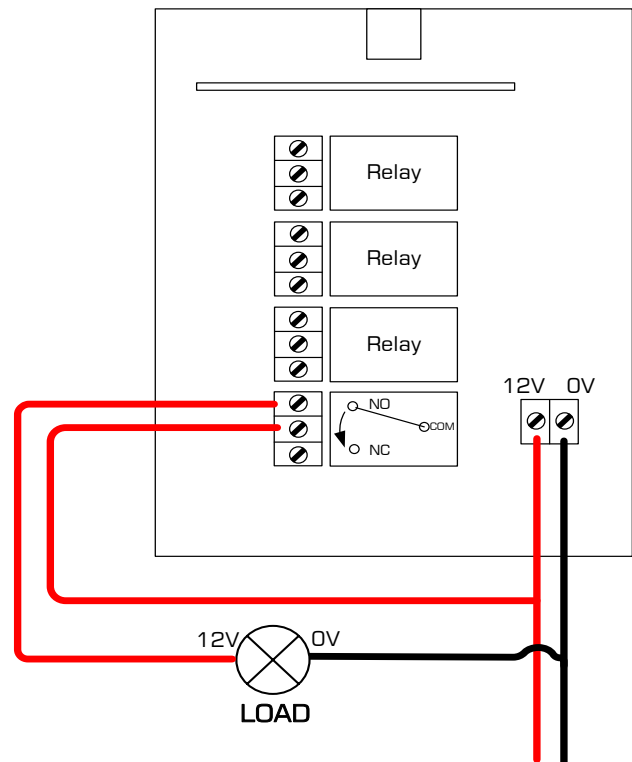
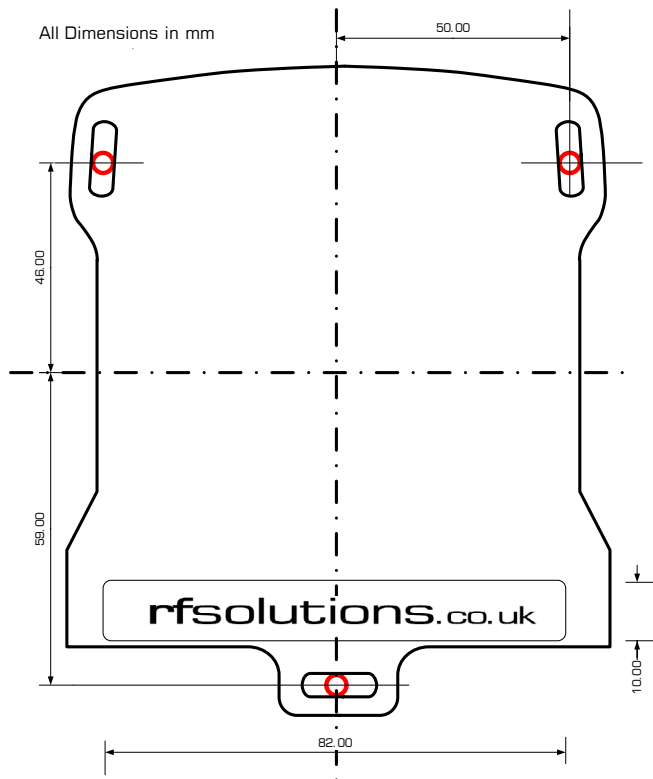


Installation

Below is a simple example showing one possible way to wire a relay in order to give switched power to an external load:

When the relay is energised the 'COM' connects to 'NO' and power is applied to the Load.

Installation should be carried out by a qualified technician



12 - 32V Systems
 12V Switched Output Example –
 Please note this product is for Professional Use only

Pairing a Transmitter to a Receiver

Each transmitter has a unique identity. Each time a transmitter Switch is operated, it emits a secure RF signal. The Receiver can learn this signal and allocate to any of its outputs.

The only limitation is that each receiver has a maximum memory for up to 40 pairings, these can be from the same or any number of transmitters.

Hint: the same transmitter may be taught to different receivers to create 'master keys'.

VIPER-S1 / VIPER-S2 / VIPER-S4 (12-30Vdc Receivers)

To Learn a New Transmitter switch follow this procedure

Any transmitter button can be learnt to one or many of the receiver output relays.

Each button must be learnt to each relay individually by following this procedure:

1. Select the receiver output relay to learn to:
 2. Briefly press the receiver Learn switch (S2) once
 3. The Learn LED will flash once to indicate output relay 1 is selected
 4. After the LED stops flashing, press the Learn switch again to select the next relay channel
 5. Repeat step 2 until the required output relay is selected.
6. Press the button on the transmitter you want to learn to the relay output.
7. The Learn LED will then illuminate, press the same transmitter button again.
8. The Learn LED will then flash to indicate learning is complete.
9. The transmitter button will now operate the relay.

Erasing Receivers Memory

1. Press and hold the receiver Learn Switch for approx 10 seconds.
2. When the Learn LED turns OFF all memory is erased.

NOTE: You cannot erase individual Tx encoders.

Configuring Receiver Outputs

The jumper links configure the outputs to be Momentary or Latching.

The jumper links are made / removed by the small link 'cap' placed over the pin header.

Link Positions		Relay Outputs			
LK1	LK2	RLY 1	RLY 2	RLY 3	RLY 4
Closed	Closed	Mom	Mom	Mom	Mom
Closed	Open	Mom	Mom	Latch	Latch
Open	Closed	Mom	Latch	Latch	Latch
Open	Open	Latch	Latch	Latch	Latch

Technical Specifications

Transmitters: FIREFLY-TX

Enclosure Rating: Standard IP54
IP67 with IP Sealing Kit (sold separately)

Battery Type: 3 X AAA (supplied)

Dimensions: 90 x 54 x 27 mm

Changing the Battery: Remove the six fixing screws, remove battery and replace note polarity

Electrical Characteristics	Min	Typical	Max	Units
Supply Voltage		3V		V
Supply Current				mA
Frequency: FIREFLY Transmitter	432.90	433.920	434.10	MHz
RF Output Power (ERP) @ 433 MHz	-	3	10	mW

Receiver Decoder

Enclosure Rating IP68

Dimensions 130 x 112 x 42 mm (not including antenna)

Storage Temperature: -10 to +70° Celsius.

Operating Temperature: -10 to +50° Celsius.

ELECTRICAL CHARACTERISTICS	MIN	TYPICAL	MAX	DIMENSION
Supply Voltage for +12 v	11		30	Vdc
Relay Rating* (230Vac) RLY1-4		7	12	A
Supply Current : Quiescent		10		
All relays operating*		140		mA
Time delay from Tx on Switch to Rx Relay operation			100	mS
Time delay from Tx sw relax to Rx Relay release			300	MS

*The relay contacts in this unit are for functional use only and must not be used for isolation purposes

Simplified Declaration of Conformity (RED)

BG - С настоящото RF Solutions Limited декларира, че този тип радиосъоръжение дефинирани в този документ е в съответствие с Директива 2014/53/ЕС. Цялостният текст на ЕС декларацията за съответствие може да се намери на следния интернет адрес: www.rfsolutions.co.uk

CS - Tímto RF Solutions Limited prohlašuje, že typ rádiového zařízení definované v tomto dokumentu je v souladu se směrnicí 2014/53/EU. Úplné znění EU prohlášení o shodě je k dispozici na této internetové adrese: www.rfsolutions.co.uk

DA - Hermed erklærer RF Solutions Limited, at radioudstyretypen defineret i dette dokument er i overensstemmelse med direktiv 2014/53/EU. EU-overensstemmelseserklæringens fulde tekst kan findes på følgende internetadresse: www.rfsolutions.co.uk

DE - Hiermit erklärt RF Solutions Limited, dass der Funkanlagentyp in diesem Dokument definiert der Richtlinie 2014/53/EU entspricht. Der vollständige Text der EU-Konformitätserklärung ist unter der folgenden Internetadresse verfügbar: www.rfsolutions.co.uk

EL - Με την παρούσα ο/η RF Solutions Limited, δηλώνει ότι ο ραδιοεξοπλισμός ορίζεται σε αυτό το έγγραφο πληροί την οδηγία 2014/53/ΕΕ. Το πλήρες κείμενο της δήλωσης συμμόρφωσης ΕΕ διατίθεται στην ακόλουθη ιστοσελίδα στο διαδίκτυο: www.rfsolutions.co.uk

EN - Hereby, RF Solutions Limited declares that the radio equipment type defined within this document is in compliance with Directive 2014/53/EU. The full text of the EU declaration of conformity is available at the following internet address: www.rfsolutions.co.uk

ES - Por la presente, RF Solutions Limited declara que el tipo de equipo radioeléctrico definido dentro de este documento es conforme con la Directiva 2014/53/UE. El texto completo de la declaración UE de conformidad está disponible en la dirección Internet siguiente: www.rfsolutions.co.uk

ET - Käesolevaga deklareerib RF Solutions Limited, et käesolev raadioseadme tüüp määratletud selles dokumendis vastab direktiivi 2014/53/EL nõuetele. ELi vastavusdeklaratsiooni täielik tekst on kättesaadav järgmisel internetiaadressil: www.rfsolutions.co.uk

FI - RF Solutions Limited vakuuttaa, että radiolaitetyypin määrättyä selles dokumendis on direktiivin 2014/53/EU mukainen. EU-vaatimustenmukaisuusvakuutuksen täysimittainen teksti on saatavilla seuraavassa internetosoitteessa: www.rfsolutions.co.uk

FR - Le soussigné, RF Solutions Limited, déclare que l'équipement radioélectrique du type défini dans ce document est conforme à la directive 2014/53/UE. Le texte complet de la déclaration UE de conformité est disponible à l'adresse internet suivante: www.rfsolutions.co.uk

HR - RF Solutions Limited ovime izjavljuje da je radijska oprema tipa definirani u ovom dokumentu u skladu s Direktivom 2014/53/EU. Cjeloviti tekst EU izjave o skladnosti dostupan je na sljedećoj internetskoj adresi: www.rfsolutions.co.uk

HU - RF Solutions Limited igazolja, hogy a dokumentumban meghatározottak szerinti típusú rádióberendezés megfelel a 2014/53/EU irányelvnek. Az EU-megfelelőségi nyilatkozat teljes szövege elérhető a következő internetes címen: www.rfsolutions.co.uk

IT - Il fabbricante, RF Solutions Limited, dichiara che il tipo di apparecchiatura radio definito all'interno di questo documento è conforme alla direttiva 2014/53/UE. Il testo completo della dichiarazione di conformità UE è disponibile al seguente indirizzo Internet: www.rfsolutions.co.uk

LT - Aš, RF Solutions Limited, patvirtinu, kad radijo įrenginių tipas apibūžėta šiame dokumente atitinka Direktyvą 2014/53/ES. Visas ES atitikties deklaracijos tekstas prieinamas šiuo interneto adresu: www.rfsolutions.co.uk

LV - Ar šo RF Solutions Limited deklarē, ka radioiekārtā kas definēts šajā dokumentā atbilst Direktīvai 2014/53/ES. Pilns ES atbilstības deklarācijas teksts ir pieejams šādā interneta vietnē: www.rfsolutions.co.uk

MT - B'dan, RF Solutions Limited, niddikjara li dan it-tip ta' taghmir tar-radju definit f'dan id-dokument huwa konformi mad-Direttiva 2014/53/UE. It-test kollu tad-dikjarazzjoni ta' konformità tal-UE huwa disponibbli f'dan l-indirizz tal-Internet li ġej: www.rfsolutions.co.uk

NL - Hierbij verklaar ik, RF Solutions Limited, dat het type radioapparatuur gedefinieerd in dit document conform is met Richtlijn 2014/53/EU. De volledige tekst van de EU-conformiteitsverklaring kan worden geraadpleegd op het volgende internetadres: www.rfsolutions.co.uk

PL - RF Solutions Limited niniejszym oświadczam, że typ urządzenia radiowego zdefiniowane w tym dokumencie jest zgodny z dyrektywą 2014/53/UE. Pełny tekst deklaracji zgodności UE jest dostępny pod następującym adresem internetowym: www.rfsolutions.co.uk

PT - O(a) abaixo assinado(a) RF Solutions Limited declara que o presente tipo de equipamento de rádio definido neste documento está em conformidade com a Diretiva 2014/53/UE. O texto integral da declaração de conformidade está disponível no seguinte endereço de Internet: www.rfsolutions.co.uk

RO - Prin prezenta, RF Solutions Limited declară că tipul de echipamente radio definit în acest document este în conformitate cu Directiva 2014/53/UE. Textul integral al declarației UE de conformitate este disponibil la următoarea adresă internet: www.rfsolutions.co.uk

SK - RF Solutions Limited týmto vyhlasuje, že rádiové zariadenie typu definované v tomto dokumente je v súlade so smernicou 2014/53/EÚ. Úplné EÚ vyhlásenie o zhode je k dispozícii na tejto internetovej adrese: www.rfsolutions.co.uk

SL - RF Solutions Limited potrjuje, da je tip radijske opreme opredeljeno v tem dokumentu v skladu s Direktivo 2014/53/EU. Celotno besedilo izjave EU o skladnosti je na voljo na naslednjem spletnem naslovu: www.rfsolutions.co.uk

SV - Härmed försäkrar RF Solutions Limited att denna typ av radioutrustning definieras i detta dokument överensstämmer med direktiv 2014/53/EU. Den fullständiga texten till EU-försäkran om överensstämmelse finns på följande webbadress: www.rfsolutions.co.uk

RF Solutions Ltd. Recycling Notice

Meets the following EC Directives:

DO NOT

Discard with normal waste, please recycle.

ROHS Directive 2011/65/EU and amendment 2015/863/EU

Specifies certain limits for hazardous substances.

WEEE Directive 2012/19/EU

Waste electrical & electronic equipment. This product must be disposed of through a licensed WEEE collection point. RF Solutions Ltd., fulfils its WEEE obligations by membership of an approved compliance scheme.

Environment agency registration number **WEE/JB0104WV**.



Waste Batteries and Accumulators Directive 2006/66/EC

Where batteries are fitted, before recycling the product, the batteries must be removed and disposed of at a licensed collection point.

RF Solutions battery producer number **BPRN00060**.

Disclaimer:

Whilst the information in this document is believed to be correct at the time of issue, RF Solutions Ltd does not accept any liability whatsoever for its accuracy, adequacy or completeness. No express or implied warranty or representation is given relating to the information contained in this document. RF Solutions Ltd reserves the right to make changes and improvements to the product(s) described herein without notice. Buyers and other users should determine for themselves the suitability of any such information or products for their own particular requirements or specifications. RF Solutions Ltd shall not be liable for any loss or damage caused as a result of user's own determination of how to deploy or use R F Solutions Ltd's products. Use of RF Solutions Ltd products or components in life support and/or safety applications is not authorised except with express written approval. No licences are created, implicitly or otherwise, under any of RF Solutions Ltd's intellectual property rights. Liability for loss or damage resulting or caused by reliance on the information contained herein or from the use of the product (including liability resulting from negligence or where RF Solutions Ltd was aware of the possibility of such loss or damage arising) is excluded. This will not operate to limit or restrict QuasarUK Ltd's liability for death or personal injury resulting from its negligence.