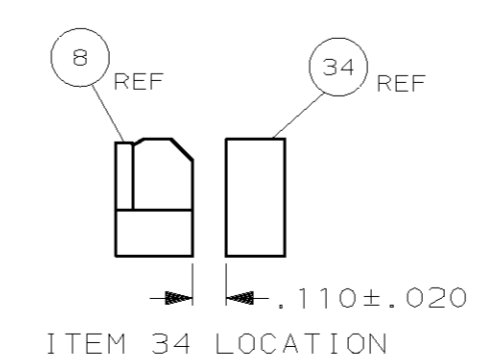
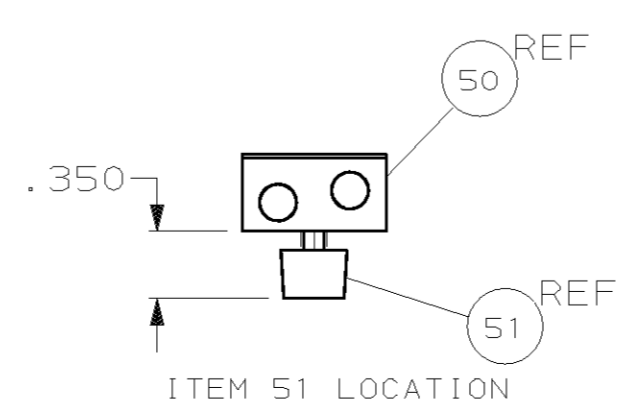
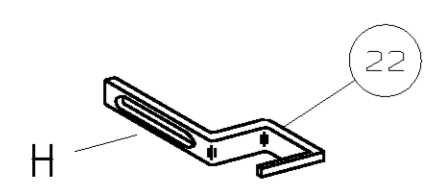
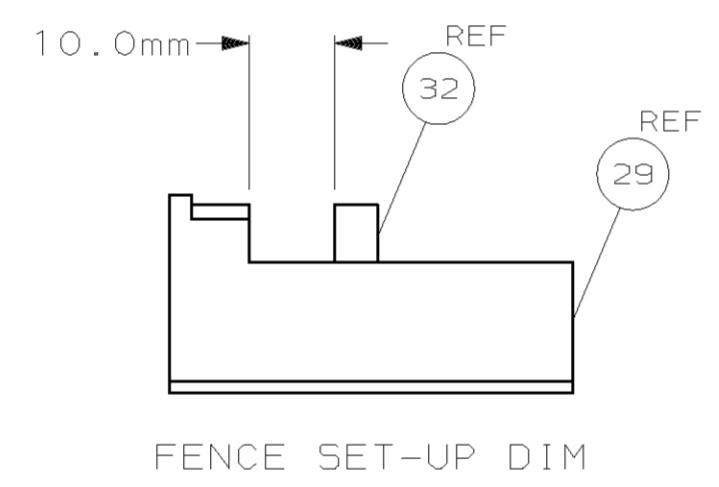
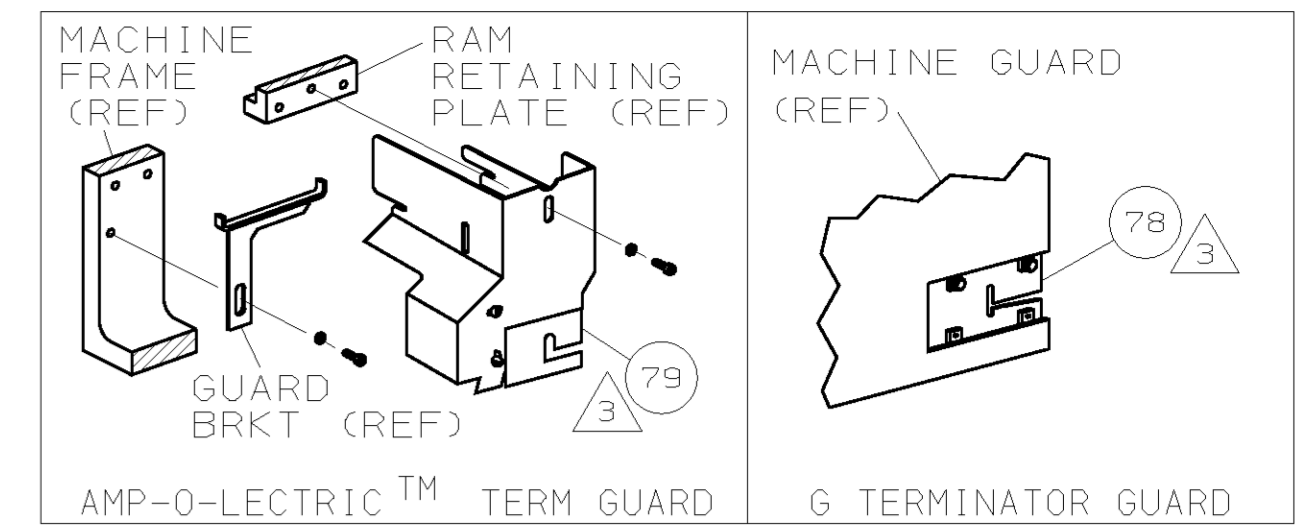
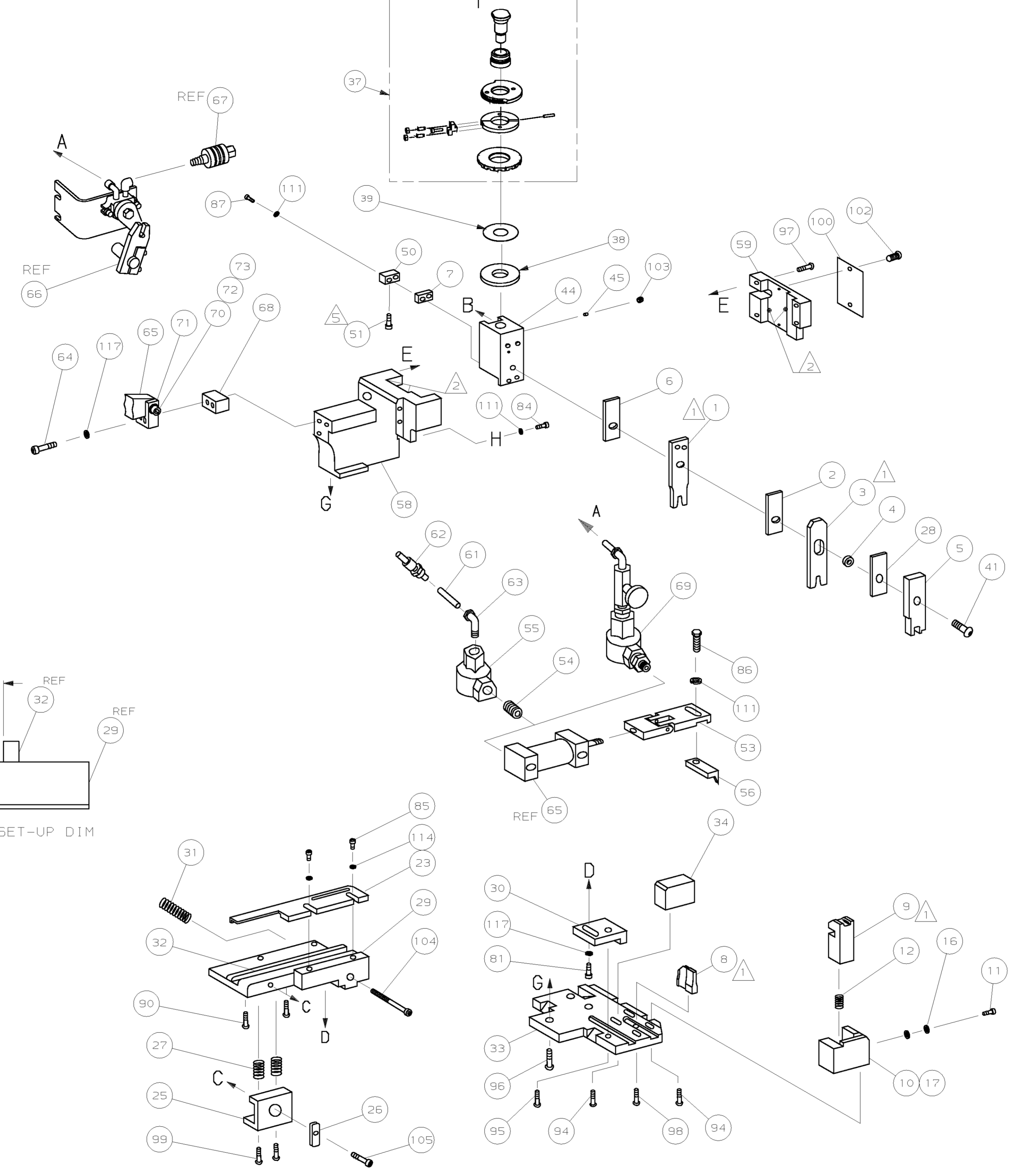


THIS DRAWING IS A CONTROLLED DOCUMENT.



REV	DATE	APP	TR	DESCRIPTION

QTY	RECD	PER	ASSY	PART NO	DESCRIPTION	ITEM NO
REVISION OF EACH ASSY NO (WHEN BLANK, USE DWG REVISION)						
QTY RECD PER ASSY				PARTS LIST		
MATL	-	HT TR	-	FIN	-	-
DIMENSIONS IN INCHES. DO NOT SCALE PRINT. TOLERANCES UNLESS OTHERWISE SPECIFIED:						
DR	-	APP	-	AMP Tyco Electronics Harrisburg, PA 17105-3608		-
2 PLC DEC ±	-	REL	-	NAME SIDE FEED HDM APPLICATOR		MACHINE REF
3 PLC DEC ±	-	-	-	SCALE		2 OF 2
4 PLC DEC ±	-	-	-	DWG NO 1855001		REV A
ANGLES ±	-	-	-	CASE CODE 00779		RESTRICTED TO
SURF TEXTURE: ✓	-	-	-	CUSTOMER AND ASSEMBLY DRAWING		-
REMOVE BURRS, BREAK SHARP EDGES R.015 MAX	-	-	-			

THIS DRAWING IS UNCLASSIFIED
 RELEASED FOR PUBLICATION
 APRIL 13, 2005
 ALL RIGHTS RESERVED.

LOC A
 DIST 66
 LEADMAKER & BENCH MACHINE

1855001

D

C

B

A

Mouser Electronics

Authorized Distributor

Click to View Pricing, Inventory, Delivery & Lifecycle Information:

[TE Connectivity:](#)

[9-1855001-5](#)