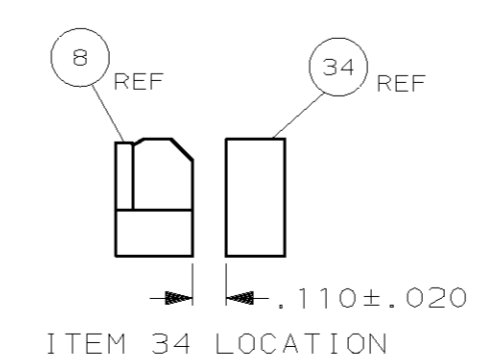
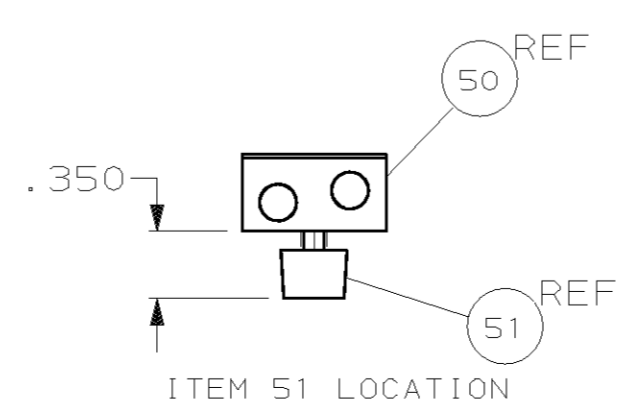
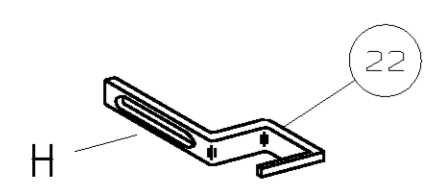
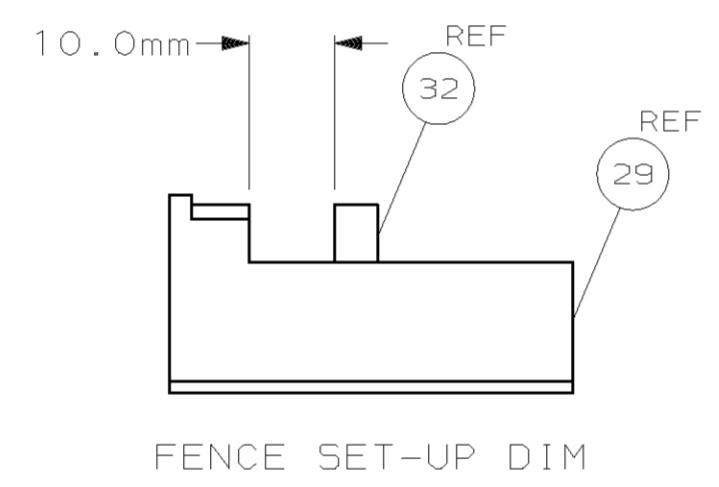
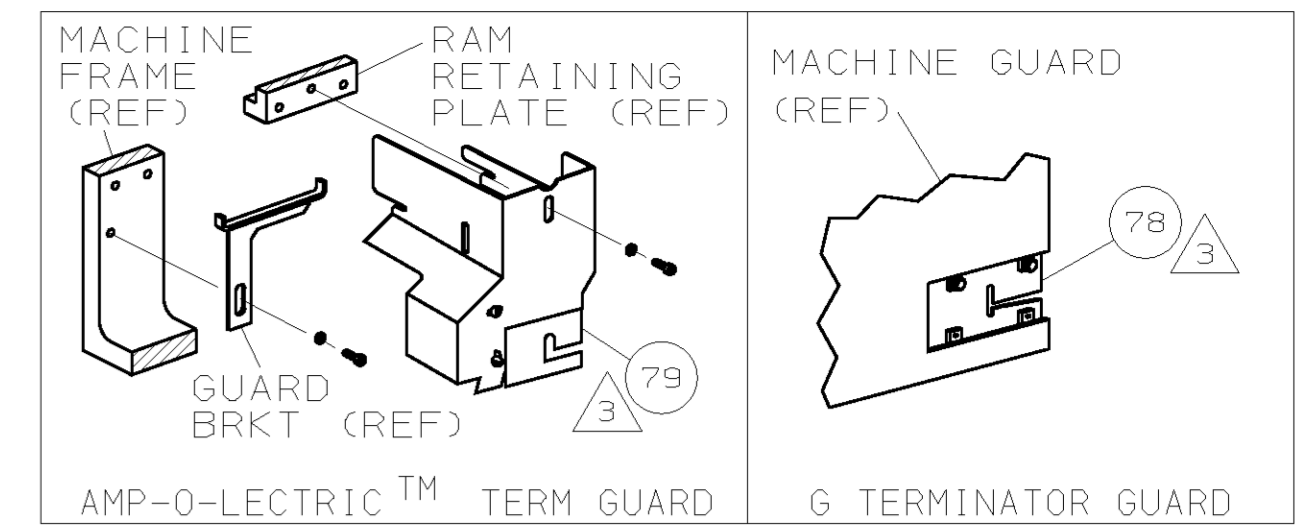
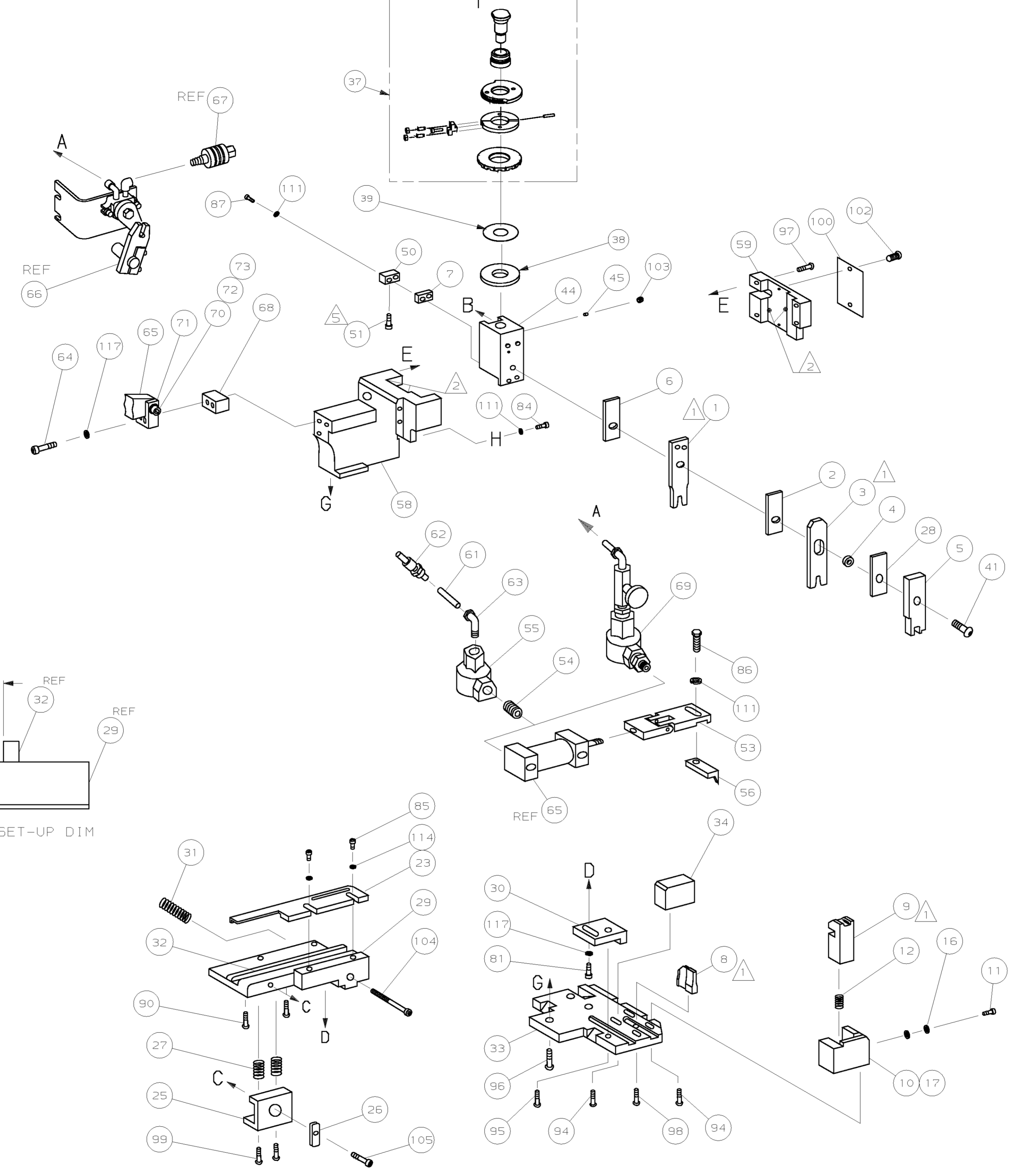


THIS DRAWING IS A CONTROLLED DOCUMENT.



SEE SHEET 1			
P	F	L	T
REVISION RECORD		APP	DATE

DWG SIZE	PART NO	DESCRIPTION	ITEM NO
REVISION OF EACH ASSY NO (WHEN BLANK, USE DWG REVISION)			
QTY RECD PER ASSY		PARTS LIST	
MATL	HT TR	FIN	
DIMENSIONS IN INCHES. DO NOT SCALE PRINT. TOLERANCES UNLESS OTHERWISE SPECIFIED:			
2 PLC DEC ±			
3 PLC DEC ±			
4 PLC DEC ±			
ANGLES ±			
SURF TEXTURE:	✓		
REMOVE BURRS, BREAK SHARP EDGES R.015 MAX			
SCALE	DWG NO	1855001	SHEET 2 OF 2
CASE CODE 00779	CUSTOMER AND ASSEMBLY DRAWING		REV A

THIS DRAWING IS UNCLASSIFIED
 RELEASED FOR PUBLICATION
 APRIL 13, 2005
 ALL RIGHTS RESERVED.

LOC	A
DIST	66
LEADMAKER & BENCH MACHINE	

1855001

D

C

B

A

8

7

6

5

4

3

Mouser Electronics

Authorized Distributor

Click to View Pricing, Inventory, Delivery & Lifecycle Information:

[TE Connectivity:](#)

[9-1855001-3](#)