

PLEASE CHECK WWW.MOLEX.COM FOR LATEST PART INFORMATION

Part Number: [0623005200](#)
Status: **Active**
Overview: [Application Tooling](#)
Description: Hawk Flat Flex Cable Terminator with Break-off

Documents:

[RoHS Certificate of Compliance \(PDF\)](#)

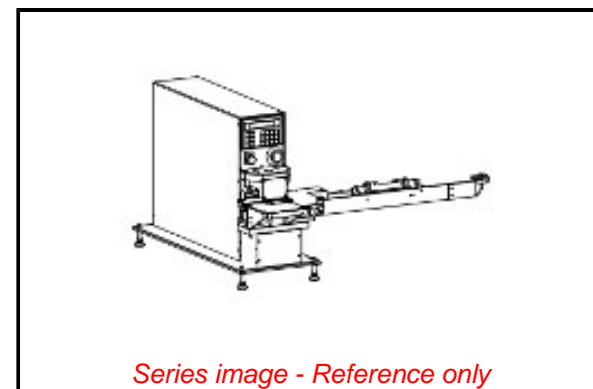
General

Product Family	Application Tooling
Series	207125
Function	Insulation Displacement (IDT)
Geographic Area	Global
Level of Automation	Semi-Automatic
More Detailed Tech Information	applicationtooling@molex.com
Overview	Application Tooling
Product Name	Hawk
Tool Type	IDT Hand Tool
UPC	800753288225
Warranty Disclaimer	CAUTION: Molex tooling crimp specifications are valid only when used with Molex terminals and tooling manufactured by Molex and sold by Molex or authorized distributors ("Molex Tooling"). When using tooling other than Molex Tooling with Molex specific connector systems listed in our ATS documents, the Molex tooling qualification does not apply and the responsibility for full qualification of the connector system is that of the customer. Molex accepts no liability for connector performance or tooling support where tooling other than Molex Tooling is used or where Molex Tooling is modified.

Material Info

Reference - Drawing Numbers
Application Tooling Documents

TM-623002900-001



Series image - Reference only

EU ELV

Not Reviewed

EU RoHS

Not Reviewed

REACH SVHC

Not Reviewed

Halogen-Free

Status

Not Reviewed

For more information, please visit [Contact US](#)

China ROHS

Not Reviewed

ELV

Not Reviewed

RoHS Phthalates

Not Reviewed

Search Parts in this Series

[207125 Series](#)

Use With

[70400 C-Grid SL IDT Connectors](#)

Application Tooling | [FAQ](#)

Description | **Product #**

2.54mm Pitch [14562021](#)

SL Insulation
Displacement
Connector Assembly,
Female, Single Row,
Version A, Non-
polarized, Wire Size
24 AWG, 0.38µm
Gold (Au), 2 Circuits

2.54mm Pitch [14562022](#)

SL Insulation
Displacement
Connector Assembly,
Female, Single Row,
Version G, Positive
Lock, Wire Size 24
AWG, 0.38µm Gold
(Au), 2 Circuits

2.54mm Pitch 14562023
SL Insulation
Displacement
Connector Assembly,
Female, Single Row,
Version A, Non-
polarized, Wire Size
26 AWG, 0.38µm
Gold (Au), 2 Circuits

2.54mm Pitch 14562024
SL Insulation
Displacement
Connector Assembly,
Female, Single Row,
Version G, Positive
Lock, Wire Size 26
AWG, 0.38µm Gold
(Au), 2 Circuits

2.54mm Pitch 14562025
SL Insulation
Displacement
Connector Assembly,
Female, Single Row,
Version A, Non-
polarized, Wire Size
28 AWG, 0.38µm
Gold (Au), 2 Circuits

2.54mm Pitch 14562026
SL Insulation
Displacement
Connector Assembly,
Female, Single Row,
Version G, Positive
Lock, Wire Size 28
AWG, 0.38µm Gold
(Au), 2 Circuits

2.54mm Pitch 14562027
SL Insulation
Displacement
Connector Assembly,
Female, Single Row,
Version A, Non-
polarized, Wire Size
24 AWG, 0.76µm
Gold (Au), 2 Circuits

2.54mm Pitch 14562028
SL Insulation
Displacement
Connector Assembly,
Female, Single Row,
Version G, Positive
Lock, Wire Size 24
AWG, 0.76µm Gold
(Au), 2 Circuits

2.54mm Pitch 14562029
SL Insulation
Displacement
Connector Assembly,
Female, Single Row,
Version A, Non-
polarized, Wire Size
26 AWG, 0.76µm
Gold (Au), 2 Circuits

2.54mm Pitch 14562031
SL Insulation

Displacement
Connector Assembly,
Female, Single Row,
Version A, Non-
polarized, Wire Size
24 AWG, 0.38µm
Gold (Au), 3 Circuits
2.54mm Pitch 14562032
SL Insulation

Displacement
Connector Assembly,
Female, Single Row,
Version G, Positive
Lock, Wire Size 24
AWG, 0.38µm Gold
(Au), 3 Circuits
2.54mm Pitch 14562033
SL Insulation

Displacement
Connector Assembly,
Female, Single Row,
Version A, Non-
polarized, Wire Size
26 AWG, 0.38µm
Gold (Au), 3 Circuits
2.54mm Pitch 14562034
SL Insulation

Displacement
Connector Assembly,
Female, Single Row,
Version G, Positive
Lock, Wire Size 26
AWG, 0.38µm Gold
(Au), 3 Circuits
2.54mm Pitch 14562035
SL Insulation

Displacement
Connector Assembly,
Female, Single Row,
Version A, Non-
polarized, Wire Size
28 AWG, 0.38µm
Gold (Au), 3 Circuits
2.54mm Pitch 14562036
SL Insulation

Displacement
Connector Assembly,
Female, Single Row,
Version G, Positive
Lock, Wire Size 28
AWG, 0.38µm Gold
(Au), 3 Circuits
2.54mm Pitch 14562037
SL Insulation

Displacement
Connector Assembly,
Female, Single Row,
Version A, Non-
polarized, Wire Size
24 AWG, 0.76µm
Gold (Au), 3 Circuits
2.54mm Pitch 14562038
SL Insulation

Displacement
Connector Assembly,

Female, Single Row,
Version G, Positive
Lock, Wire Size 24
AWG, 0.76µm Gold
(Au), 3 Circuits
2.54mm Pitch 14562039
SL Insulation
Displacement
Connector Assembly,
Female, Single Row,
Version A, Non-
polarized, Wire Size
26 AWG, 0.76µm
Gold (Au), 3 Circuits
2.54mm Pitch 14562041
SL Insulation
Displacement
Connector Assembly,
Female, Single Row,
Version A, Non-
polarized, Wire Size
24 AWG, 0.38µm
Gold (Au), 4 Circuits
2.54mm Pitch 14562042
SL Insulation
Displacement
Connector Assembly,
Female, Single Row,
Version G, Positive
Lock, Wire Size 24
AWG, 0.38µm Gold
(Au), 4 Circuits
2.54mm Pitch 14562043
SL Insulation
Displacement
Connector Assembly,
Female, Single Row,
Version A, Non-
polarized, Wire Size
26 AWG, 0.38µm
Gold (Au), 4 Circuits
2.54mm Pitch 14562044
SL Insulation
Displacement
Connector Assembly,
Female, Single Row,
Version G, Positive
Lock, Wire Size 26
AWG, 0.38µm Gold
(Au), 4 Circuits
2.54mm Pitch 14562045
SL Insulation
Displacement
Connector Assembly,
Female, Single Row,
Version A, Non-
polarized, Wire Size
28 AWG, 0.38µm
Gold (Au), 4 Circuits
2.54mm Pitch 14562046
SL Insulation
Displacement
Connector Assembly,
Female, Single Row,
Version G, Positive

Lock, Wire Size 28
AWG, 0.38 μ m Gold
(Au), 4 Circuits
2.54mm Pitch 14562047
SL Insulation
Displacement
Connector Assembly,
Female, Single Row,
Version A, Non-
polarized, Wire Size
24 AWG, 0.76 μ m
Gold (Au), 4 Circuits
2.54mm Pitch 14562048
SL Insulation
Displacement
Connector Assembly,
Female, Single Row,
Version G, Positive
Lock, Wire Size 24
AWG, 0.76 μ m Gold
(Au), 4 Circuits
2.54mm Pitch 14562049
SL Insulation
Displacement
Connector Assembly,
Female, Single Row,
Version A, Non-
polarized, Wire Size
26 AWG, 0.76 μ m
Gold (Au), 4 Circuits
2.54mm Pitch 14562051
SL Insulation
Displacement
Connector Assembly,
Female, Single Row,
Version A, Non-
polarized, Wire Size
24 AWG, 0.38 μ m
Gold (Au), 5 Circuits
2.54mm Pitch 14562052
SL Insulation
Displacement
Connector Assembly,
Female, Single Row,
Version G, Positive
Lock, Wire Size 24
AWG, 0.38 μ m Gold
(Au), 5 Circuits
2.54mm Pitch 14562053
SL Insulation
Displacement
Connector Assembly,
Female, Single Row,
Version A, Non-
polarized, Wire Size
26 AWG, 0.38 μ m
Gold (Au), 5 Circuits
2.54mm Pitch 14562054
SL Insulation
Displacement
Connector Assembly,
Female, Single Row,
Version G, Positive
Lock, Wire Size 26

AWG, 0.38µm Gold
(Au), 5 Circuits
2.54mm Pitch 14562055
SL Insulation
Displacement
Connector Assembly,
Female, Single Row,
Version A, Non-
polarized, Wire Size
28 AWG, 0.38µm
Gold (Au), 5 Circuits
2.54mm Pitch 14562056
SL Insulation
Displacement
Connector Assembly,
Female, Single Row,
Version G, Positive
Lock, Wire Size 28
AWG, 0.38µm Gold
(Au), 5 Circuits
2.54mm Pitch 14562057
SL Insulation
Displacement
Connector Assembly,
Female, Single Row,
Version A, Non-
polarized, Wire Size
24 AWG, 0.76µm
Gold (Au), 5 Circuits
2.54mm Pitch 14562058
SL Insulation
Displacement
Connector Assembly,
Female, Single Row,
Version G, Positive
Lock, Wire Size 24
AWG, 0.76µm Gold
(Au), 5 Circuits
2.54mm Pitch 14562059
SL Insulation
Displacement
Connector Assembly,
Female, Single Row,
Version A, Non-
polarized, Wire Size
26 AWG, 0.76µm
Gold (Au), 5 Circuits
2.54mm Pitch 14562061
SL Insulation
Displacement
Connector Assembly,
Female, Single Row,
Version A, Non-
polarized, Wire Size
24 AWG, 0.38µm
Gold (Au), 6 Circuits
2.54mm Pitch 14562062
SL Insulation
Displacement
Connector Assembly,
Female, Single Row,
Version G, Positive
Lock, Wire Size 24
AWG, 0.38µm Gold
(Au), 6 Circuits

2.54mm Pitch 14562063
SL Insulation
Displacement
Connector Assembly,
Female, Single Row,
Version A, Non-
polarized, Wire Size
26 AWG, 0.38µm
Gold (Au), 6 Circuits

2.54mm Pitch 14562064
SL Insulation
Displacement
Connector Assembly,
Female, Single Row,
Version G, Positive
Lock, Wire Size 26
AWG, 0.38µm Gold
(Au), 6 Circuits

2.54mm Pitch 14562065
SL Insulation
Displacement
Connector Assembly,
Female, Single Row,
Version A, Non-
polarized, Wire Size
28 AWG, 0.38µm
Gold (Au), 6 Circuits

2.54mm Pitch 14562066
SL Insulation
Displacement
Connector Assembly,
Female, Single Row,
Version G, Positive
Lock, Wire Size 28
AWG, 0.38µm Gold
(Au), 6 Circuits

2.54mm Pitch 14562067
SL Insulation
Displacement
Connector Assembly,
Female, Single Row,
Version A, Non-
polarized, Wire Size
24 AWG, 0.76µm
Gold (Au), 6 Circuits

2.54mm Pitch 14562068
SL Insulation
Displacement
Connector Assembly,
Female, Single Row,
Version G, Positive
Lock, Wire Size 24
AWG, 0.76µm Gold
(Au), 6 Circuits

2.54mm Pitch 14562069
SL Insulation
Displacement
Connector Assembly,
Female, Single Row,
Version A, Non-
polarized, Wire Size
26 AWG, 0.76µm
Gold (Au), 6 Circuits

2.54mm Pitch 14562071
SL Insulation

Displacement
Connector Assembly,
Female, Single Row,
Version A, Non-
polarized, Wire Size
24 AWG, 0.38µm
Gold (Au), 7 Circuits
2.54mm Pitch 14562072
SL Insulation

Displacement
Connector Assembly,
Female, Single Row,
Version G, Positive
Lock, Wire Size 24
AWG, 0.38µm Gold
(Au), 7 Circuits
2.54mm Pitch 14562073
SL Insulation

Displacement
Connector Assembly,
Female, Single Row,
Version A, Non-
polarized, Wire Size
26 AWG, 0.38µm
Gold (Au), 7 Circuits
2.54mm Pitch 14562074
SL Insulation

Displacement
Connector Assembly,
Female, Single Row,
Version G, Positive
Lock, Wire Size 26
AWG, 0.38µm Gold
(Au), 7 Circuits
2.54mm Pitch 14562075
SL Insulation

Displacement
Connector Assembly,
Female, Single Row,
Version A, Non-
polarized, Wire Size
28 AWG, 0.38µm
Gold (Au), 7 Circuits
2.54mm Pitch 14562076
SL Insulation

Displacement
Connector Assembly,
Female, Single Row,
Version G, Positive
Lock, Wire Size 28
AWG, 0.38µm Gold
(Au), 7 Circuits
2.54mm Pitch 14562077
SL Insulation

Displacement
Connector Assembly,
Female, Single Row,
Version A, Non-
polarized, Wire Size
24 AWG, 0.76µm
Gold (Au), 7 Circuits
2.54mm Pitch 14562078
SL Insulation

Displacement
Connector Assembly,

Female, Single Row,
Version G, Positive
Lock, Wire Size 24
AWG, 0.76µm Gold
(Au), 7 Circuits
2.54mm Pitch 14562079
SL Insulation
Displacement
Connector Assembly,
Female, Single Row,
Version A, Non-
polarized, Wire Size
26 AWG, 0.76µm
Gold (Au), 7 Circuits
2.54mm Pitch 14562081
SL Insulation
Displacement
Connector Assembly,
Female, Single Row,
Version A, Non-
polarized, Wire Size
24 AWG, 0.38µm
Gold (Au), 8 Circuits
2.54mm Pitch 14562082
SL Insulation
Displacement
Connector Assembly,
Female, Single Row,
Version G, Positive
Lock, Wire Size 24
AWG, 0.38µm Gold
(Au), 8 Circuits
2.54mm Pitch 14562083
SL Insulation
Displacement
Connector Assembly,
Female, Single Row,
Version A, Non-
polarized, Wire Size
26 AWG, 0.38µm
Gold (Au), 8 Circuits
2.54mm Pitch 14562084
SL Insulation
Displacement
Connector Assembly,
Female, Single Row,
Version G, Positive
Lock, Wire Size 26
AWG, 0.38µm Gold
(Au), 8 Circuits
2.54mm Pitch 14562085
SL Insulation
Displacement
Connector Assembly,
Female, Single Row,
Version A, Non-
polarized, Wire Size
28 AWG, 0.38µm
Gold (Au), 8 Circuits
2.54mm Pitch 14562086
SL Insulation
Displacement
Connector Assembly,
Female, Single Row,
Version G, Positive

Lock, Wire Size 28
AWG, 0.38 μ m Gold
(Au), 8 Circuits
2.54mm Pitch 14562087
SL Insulation
Displacement
Connector Assembly,
Female, Single Row,
Version A, Non-
polarized, Wire Size
24 AWG, 0.76 μ m
Gold (Au), 8 Circuits
2.54mm Pitch 14562088
SL Insulation
Displacement
Connector Assembly,
Female, Single Row,
Version G, Positive
Lock, Wire Size 24
AWG, 0.76 μ m Gold
(Au), 8 Circuits
2.54mm Pitch 14562089
SL Insulation
Displacement
Connector Assembly,
Female, Single Row,
Version A, Non-
polarized, Wire Size
26 AWG, 0.76 μ m
Gold (Au), 8 Circuits
2.54mm Pitch 14562091
SL Insulation
Displacement
Connector Assembly,
Female, Single Row,
Version A, Non-
polarized, Wire Size
24 AWG, 0.38 μ m
Gold (Au), 9 Circuits
2.54mm Pitch 14562092
SL Insulation
Displacement
Connector Assembly,
Female, Single Row,
Version G, Positive
Lock, Wire Size 24
AWG, 0.38 μ m Gold
(Au), 9 Circuits
2.54mm Pitch 14562093
SL Insulation
Displacement
Connector Assembly,
Female, Single Row,
Version A, Non-
polarized, Wire Size
26 AWG, 0.38 μ m
Gold (Au), 9 Circuits
2.54mm Pitch 14562094
SL Insulation
Displacement
Connector Assembly,
Female, Single Row,
Version G, Positive
Lock, Wire Size 26

AWG, 0.38 μ m Gold
(Au), 9 Circuits
2.54mm Pitch 14562095
SL Insulation
Displacement
Connector Assembly,
Female, Single Row,
Version A, Non-
polarized, Wire Size
28 AWG, 0.38 μ m
Gold (Au), 9 Circuits
2.54mm Pitch 14562096
SL Insulation
Displacement
Connector Assembly,
Female, Single Row,
Version G, Positive
Lock, Wire Size 28
AWG, 0.38 μ m Gold
(Au), 9 Circuits
2.54mm Pitch 14562097
SL Insulation
Displacement
Connector Assembly,
Female, Single Row,
Version A, Non-
polarized, Wire Size
24 AWG, 0.76 μ m
Gold (Au), 9 Circuits
2.54mm Pitch 14562098
SL Insulation
Displacement
Connector Assembly,
Female, Single Row,
Version G, Positive
Lock, Wire Size 24
AWG, 0.76 μ m Gold
(Au), 9 Circuits
2.54mm Pitch 14562099
SL Insulation
Displacement
Connector Assembly,
Female, Single Row,
Version A, Non-
polarized, Wire Size
26 AWG, 0.76 μ m
Gold (Au), 9 Circuits
2.54mm Pitch 14562101
SL Insulation
Displacement
Connector Assembly,
Female, Single
Row, Version A,
Non-polarized,
Wire Size 24 AWG,
0.38 μ m Gold (Au),
10 Circuits
2.54mm Pitch 14562102
SL Insulation
Displacement
Connector Assembly,
Female, Single Row,
Version G, Positive
Lock, Wire Size 24

AWG, 0.38 μ m Gold
(Au), 10 Circuits
2.54mm Pitch 14562103
SL Insulation
Displacement
Connector Assembly,
Female, Single
Row, Version A,
Non-polarized,
Wire Size 26 AWG,
0.38 μ m Gold (Au),
10 Circuits
2.54mm Pitch 14562104
SL Insulation
Displacement
Connector Assembly,
Female, Single Row,
Version G, Positive
Lock, Wire Size 26
AWG, 0.38 μ m Gold
(Au), 10 Circuits
2.54mm Pitch 14562105
SL Insulation
Displacement
Connector Assembly,
Female, Single
Row, Version A,
Non-polarized,
Wire Size 28 AWG,
0.38 μ m Gold (Au),
10 Circuits
2.54mm Pitch 14562106
SL Insulation
Displacement
Connector Assembly,
Female, Single Row,
Version G, Positive
Lock, Wire Size 28
AWG, 0.38 μ m Gold
(Au), 10 Circuits
2.54mm Pitch 14562107
SL Insulation
Displacement
Connector Assembly,
Female, Single
Row, Version A,
Non-polarized,
Wire Size 24 AWG,
0.76 μ m Gold (Au),
10 Circuits
2.54mm Pitch 14562108
SL Insulation
Displacement
Connector Assembly,
Female, Single Row,
Version G, Positive
Lock, Wire Size 24
AWG, 0.76 μ m Gold
(Au), 10 Circuits
2.54mm Pitch 14562109
SL Insulation
Displacement
Connector Assembly,
Female, Single
Row, Version A,

Non-polarized,
Wire Size 26 AWG,
0.76µm Gold (Au),
10 Circuits
2.54mm Pitch 14562111
SL Insulation
Displacement
Connector Assembly,
Female, Single
Row, Version A,
Non-polarized,
Wire Size 24 AWG,
0.38µm Gold (Au),
11 Circuits
2.54mm Pitch 14562113
SL Insulation
Displacement
Connector Assembly,
Female, Single
Row, Version A,
Non-polarized,
Wire Size 26 AWG,
0.38µm Gold (Au),
11 Circuits
2.54mm Pitch 14562114
SL Insulation
Displacement
Connector Assembly,
Female, Single Row,
Version G, Positive
Lock, Wire Size 26
AWG, 0.38µm Gold
(Au), 11 Circuits
2.54mm Pitch 14562115
SL Insulation
Displacement
Connector Assembly,
Female, Single
Row, Version A,
Non-polarized,
Wire Size 28 AWG,
0.38µm Gold (Au),
11 Circuits
2.54mm Pitch 14562116
SL Insulation
Displacement
Connector Assembly,
Female, Single Row,
Version G, Positive
Lock, Wire Size 28
AWG, 0.38µm Gold
(Au), 11 Circuits
2.54mm Pitch 14562117
SL Insulation
Displacement
Connector Assembly,
Female, Single
Row, Version A,
Non-polarized,
Wire Size 24 AWG,
0.76µm Gold (Au),
11 Circuits
2.54mm Pitch 14562118
SL Insulation
Displacement

Connector Assembly,
Female, Single Row,
Version G, Positive
Lock, Wire Size 24
AWG, 0.76µm Gold
(Au), 11 Circuits
2.54mm Pitch 14562119

SL Insulation
Displacement
Connector Assembly,
Female, Single
Row, Version A,
Non-polarized,
Wire Size 26 AWG,
0.76µm Gold (Au),
11 Circuits
2.54mm Pitch 14562121

SL Insulation
Displacement
Connector Assembly,
Female, Single
Row, Version A,
Non-polarized,
Wire Size 24 AWG,
0.38µm Gold (Au),
12 Circuits
2.54mm Pitch 14562122

SL Insulation
Displacement
Connector Assembly,
Female, Single Row,
Version G, Positive
Lock, Wire Size 24
AWG, 0.38µm Gold
(Au), 12 Circuits
2.54mm Pitch 14562123

SL Insulation
Displacement
Connector Assembly,
Female, Single
Row, Version A,
Non-polarized,
Wire Size 26 AWG,
0.38µm Gold (Au),
12 Circuits
2.54mm Pitch 14562124

SL Insulation
Displacement
Connector Assembly,
Female, Single Row,
Version G, Positive
Lock, Wire Size 26
AWG, 0.38µm Gold
(Au), 12 Circuits
2.54mm Pitch 14562125

SL Insulation
Displacement
Connector Assembly,
Female, Single
Row, Version A,
Non-polarized,
Wire Size 28 AWG,
0.38µm Gold (Au),
12 Circuits

2.54mm Pitch 14562126

SL Insulation
Displacement
Connector Assembly,
Female, Single Row,
Version G, Positive
Lock, Wire Size 28
AWG, 0.38 μ m Gold
(Au), 12 Circuits

2.54mm Pitch 14562127

SL Insulation
Displacement
Connector Assembly,
Female, Single
Row, Version A,
Non-polarized,
Wire Size 24 AWG,
0.76 μ m Gold (Au),
12 Circuits

2.54mm Pitch 14562128

SL Insulation
Displacement
Connector Assembly,
Female, Single Row,
Version G, Positive
Lock, Wire Size 24
AWG, 0.76 μ m Gold
(Au), 12 Circuits

2.54mm Pitch 14562129

SL Insulation
Displacement
Connector Assembly,
Female, Single
Row, Version A,
Non-polarized,
Wire Size 26 AWG,
0.76 μ m Gold (Au),
12 Circuits

2.54mm Pitch 14562131

SL Insulation
Displacement
Connector Assembly,
Female, Single
Row, Version A,
Non-polarized,
Wire Size 24 AWG,
0.38 μ m Gold (Au),
13 Circuits

2.54mm Pitch 14562132

SL Insulation
Displacement
Connector Assembly,
Female, Single Row,
Version G, Positive
Lock, Wire Size 24
AWG, 0.38 μ m Gold
(Au), 13 Circuits

2.54mm Pitch 14562133

SL Insulation
Displacement
Connector Assembly,
Female, Single
Row, Version A,
Non-polarized,
Wire Size 26 AWG,

0.38µm Gold (Au),
13 Circuits
2.54mm Pitch 14562134
SL Insulation
Displacement
Connector Assembly,
Female, Single Row,
Version G, Positive
Lock, Wire Size 26
AWG, 0.38µm Gold
(Au), 13 Circuits
2.54mm Pitch 14562135
SL Insulation
Displacement
Connector Assembly,
Female, Single
Row, Version A,
Non-polarized,
Wire Size 28 AWG,
0.38µm Gold (Au),
13 Circuits
2.54mm Pitch 14562136
SL Insulation
Displacement
Connector Assembly,
Female, Single Row,
Version G, Positive
Lock, Wire Size 28
AWG, 0.38µm Gold
(Au), 13 Circuits
2.54mm Pitch 14562137
SL Insulation
Displacement
Connector Assembly,
Female, Single
Row, Version A,
Non-polarized,
Wire Size 24 AWG,
0.76µm Gold (Au),
13 Circuits
2.54mm Pitch 14562138
SL Insulation
Displacement
Connector Assembly,
Female, Single Row,
Version G, Positive
Lock, Wire Size 24
AWG, 0.76µm Gold
(Au), 13 Circuits
2.54mm Pitch 14562139
SL Insulation
Displacement
Connector Assembly,
Female, Single
Row, Version A,
Non-polarized,
Wire Size 26 AWG,
0.76µm Gold (Au),
13 Circuits
2.54mm Pitch 14562141
SL Insulation
Displacement
Connector Assembly,
Female, Single
Row, Version A,

Non-polarized,
Wire Size 24 AWG,
0.38 μ m Gold (Au),
14 Circuits
2.54mm Pitch 14562142
SL Insulation
Displacement
Connector Assembly,
Female, Single Row,
Version G, Positive
Lock, Wire Size 24
AWG, 0.38 μ m Gold
(Au), 14 Circuits
2.54mm Pitch 14562143
SL Insulation
Displacement
Connector Assembly,
Female, Single
Row, Version A,
Non-polarized,
Wire Size 26 AWG,
0.38 μ m Gold (Au),
14 Circuits
2.54mm Pitch 14562144
SL Insulation
Displacement
Connector Assembly,
Female, Single Row,
Version G, Positive
Lock, Wire Size 26
AWG, 0.38 μ m Gold
(Au), 14 Circuits
2.54mm Pitch 14562145
SL Insulation
Displacement
Connector Assembly,
Female, Single
Row, Version A,
Non-polarized,
Wire Size 28 AWG,
0.38 μ m Gold (Au),
14 Circuits
2.54mm Pitch 14562146
SL Insulation
Displacement
Connector Assembly,
Female, Single Row,
Version G, Positive
Lock, Wire Size 28
AWG, 0.38 μ m Gold
(Au), 14 Circuits
2.54mm Pitch 14562147
SL Insulation
Displacement
Connector Assembly,
Female, Single
Row, Version A,
Non-polarized,
Wire Size 24 AWG,
0.76 μ m Gold (Au),
14 Circuits
2.54mm Pitch 14562148
SL Insulation
Displacement
Connector Assembly,

Female, Single Row,
Version G, Positive
Lock, Wire Size 24
AWG, 0.76 μ m Gold
(Au), 14 Circuits
2.54mm Pitch 14562149
SL Insulation
Displacement
Connector Assembly,
Female, Single
Row, Version A,
Non-polarized,
Wire Size 26 AWG,
0.76 μ m Gold (Au),
14 Circuits
2.54mm Pitch 14562151
SL Insulation
Displacement
Connector Assembly,
Female, Single
Row, Version A,
Non-polarized,
Wire Size 24 AWG,
0.38 μ m Gold (Au),
15 Circuits
2.54mm Pitch 14562152
SL Insulation
Displacement
Connector Assembly,
Female, Single Row,
Version G, Positive
Lock, Wire Size 24
AWG, 0.38 μ m Gold
(Au), 15 Circuits
2.54mm Pitch 14562153
SL Insulation
Displacement
Connector Assembly,
Female, Single
Row, Version A,
Non-polarized,
Wire Size 26 AWG,
0.38 μ m Gold (Au),
15 Circuits
2.54mm Pitch 14562154
SL Insulation
Displacement
Connector Assembly,
Female, Single Row,
Version G, Positive
Lock, Wire Size 26
AWG, 0.38 μ m Gold
(Au), 15 Circuits
2.54mm Pitch 14562155
SL Insulation
Displacement
Connector Assembly,
Female, Single
Row, Version A,
Non-polarized,
Wire Size 28 AWG,
0.38 μ m Gold (Au),
15 Circuits
2.54mm Pitch 14562156
SL Insulation

Displacement
Connector Assembly,
Female, Single Row,
Version G, Positive
Lock, Wire Size 28
AWG, 0.38 μ m Gold
(Au), 15 Circuits
2.54mm Pitch 14562157
SL Insulation

Displacement
Connector Assembly,
Female, Single
Row, Version A,
Non-polarized,
Wire Size 24 AWG,
0.76 μ m Gold (Au),
15 Circuits
2.54mm Pitch 14562158
SL Insulation

Displacement
Connector Assembly,
Female, Single Row,
Version G, Positive
Lock, Wire Size 24
AWG, 0.76 μ m Gold
(Au), 15 Circuits
2.54mm Pitch 14562159
SL Insulation

Displacement
Connector Assembly,
Female, Single
Row, Version A,
Non-polarized,
Wire Size 26 AWG,
0.76 μ m Gold (Au),
15 Circuits
2.54mm Pitch 14562161
SL Insulation

Displacement
Connector Assembly,
Female, Single
Row, Version A,
Non-polarized,
Wire Size 24 AWG,
0.38 μ m Gold (Au),
16 Circuits
2.54mm Pitch 14562162
SL Insulation

Displacement
Connector Assembly,
Female, Single Row,
Version G, Positive
Lock, Wire Size 24
AWG, 0.38 μ m Gold
(Au), 16 Circuits
2.54mm Pitch 14562163
SL Insulation

Displacement
Connector Assembly,
Female, Single
Row, Version A,
Non-polarized,
Wire Size 26 AWG,
0.38 μ m Gold (Au),
16 Circuits

2.54mm Pitch 14562164
SL Insulation
Displacement
Connector Assembly,
Female, Single Row,
Version G, Positive
Lock, Wire Size 26
AWG, 0.38µm Gold
(Au), 16 Circuits

2.54mm Pitch 14562165
SL Insulation
Displacement
Connector Assembly,
Female, Single
Row, Version A,
Non-polarized,
Wire Size 28 AWG,
0.38µm Gold (Au),
16 Circuits

2.54mm Pitch 14562166
SL Insulation
Displacement
Connector Assembly,
Female, Single Row,
Version G, Positive
Lock, Wire Size 28
AWG, 0.38µm Gold
(Au), 16 Circuits

2.54mm Pitch 14562167
SL Insulation
Displacement
Connector Assembly,
Female, Single
Row, Version A,
Non-polarized,
Wire Size 24 AWG,
0.76µm Gold (Au),
16 Circuits

2.54mm Pitch 14562168
SL Insulation
Displacement
Connector Assembly,
Female, Single Row,
Version G, Positive
Lock, Wire Size 24
AWG, 0.76µm Gold
(Au), 16 Circuits

2.54mm Pitch 14562169
SL Insulation
Displacement
Connector Assembly,
Female, Single
Row, Version A,
Non-polarized,
Wire Size 26 AWG,
0.76µm Gold (Au),
16 Circuits

2.54mm Pitch 14562171
SL Insulation
Displacement
Connector Assembly,
Female, Single
Row, Version A,
Non-polarized,
Wire Size 24 AWG,

0.38µm Gold (Au),
17 Circuits
2.54mm Pitch 14562172
SL Insulation
Displacement
Connector Assembly,
Female, Single Row,
Version G, Positive
Lock, Wire Size 24
AWG, 0.38µm Gold
(Au), 17 Circuits
2.54mm Pitch 14562173
SL Insulation
Displacement
Connector Assembly,
Female, Single
Row, Version A,
Non-polarized,
Wire Size 26 AWG,
0.38µm Gold (Au),
17 Circuits
2.54mm Pitch 14562174
SL Insulation
Displacement
Connector Assembly,
Female, Single Row,
Version G, Positive
Lock, Wire Size 26
AWG, 0.38µm Gold
(Au), 17 Circuits
2.54mm Pitch 14562175
SL Insulation
Displacement
Connector Assembly,
Female, Single
Row, Version A,
Non-polarized,
Wire Size 28 AWG,
0.38µm Gold (Au),
17 Circuits
2.54mm Pitch 14562176
SL Insulation
Displacement
Connector Assembly,
Female, Single Row,
Version G, Positive
Lock, Wire Size 28
AWG, 0.38µm Gold
(Au), 17 Circuits
2.54mm Pitch 14562177
SL Insulation
Displacement
Connector Assembly,
Female, Single
Row, Version A,
Non-polarized,
Wire Size 24 AWG,
0.76µm Gold (Au),
17 Circuits
2.54mm Pitch 14562178
SL Insulation
Displacement
Connector Assembly,
Female, Single Row,
Version G, Positive

Lock, Wire Size 24
AWG, 0.76µm Gold
(Au), 17 Circuits
2.54mm Pitch 14562179
SL Insulation
Displacement
Connector Assembly,
Female, Single
Row, Version A,
Non-polarized,
Wire Size 26 AWG,
0.76µm Gold (Au),
17 Circuits
2.54mm Pitch 14562181
SL Insulation
Displacement
Connector Assembly,
Female, Single
Row, Version A,
Non-polarized,
Wire Size 24 AWG,
0.38µm Gold (Au),
18 Circuits
2.54mm Pitch 14562182
SL Insulation
Displacement
Connector Assembly,
Female, Single Row,
Version G, Positive
Lock, Wire Size 24
AWG, 0.38µm Gold
(Au), 18 Circuits
2.54mm Pitch 14562183
SL Insulation
Displacement
Connector Assembly,
Female, Single
Row, Version A,
Non-polarized,
Wire Size 26 AWG,
0.38µm Gold (Au),
18 Circuits
2.54mm Pitch 14562184
SL Insulation
Displacement
Connector Assembly,
Female, Single Row,
Version G, Positive
Lock, Wire Size 26
AWG, 0.38µm Gold
(Au), 18 Circuits
2.54mm Pitch 14562185
SL Insulation
Displacement
Connector Assembly,
Female, Single
Row, Version A,
Non-polarized,
Wire Size 28 AWG,
0.38µm Gold (Au),
18 Circuits
2.54mm Pitch 14562186
SL Insulation
Displacement
Connector Assembly,

Female, Single Row,
Version G, Positive
Lock, Wire Size 28
AWG, 0.38 μ m Gold
(Au), 18 Circuits
2.54mm Pitch 14562187
SL Insulation
Displacement
Connector Assembly,
Female, Single
Row, Version A,
Non-polarized,
Wire Size 24 AWG,
0.76 μ m Gold (Au),
18 Circuits
2.54mm Pitch 14562188
SL Insulation
Displacement
Connector Assembly,
Female, Single Row,
Version G, Positive
Lock, Wire Size 24
AWG, 0.76 μ m Gold
(Au), 18 Circuits
2.54mm Pitch 14562189
SL Insulation
Displacement
Connector Assembly,
Female, Single
Row, Version A,
Non-polarized,
Wire Size 26 AWG,
0.76 μ m Gold (Au),
18 Circuits
2.54mm Pitch 14562191
SL Insulation
Displacement
Connector Assembly,
Female, Single
Row, Version A,
Non-polarized,
Wire Size 24 AWG,
0.38 μ m Gold (Au),
19 Circuits
2.54mm Pitch 14562192
SL Insulation
Displacement
Connector Assembly,
Female, Single Row,
Version G, Positive
Lock, Wire Size 24
AWG, 0.38 μ m Gold
(Au), 19 Circuits
2.54mm Pitch 14562193
SL Insulation
Displacement
Connector Assembly,
Female, Single
Row, Version A,
Non-polarized,
Wire Size 26 AWG,
0.38 μ m Gold (Au),
19 Circuits
2.54mm Pitch 14562194
SL Insulation

Displacement
Connector Assembly,
Female, Single Row,
Version G, Positive
Lock, Wire Size 26
AWG, 0.38µm Gold
(Au), 19 Circuits
2.54mm Pitch 14562195
SL Insulation

Displacement
Connector Assembly,
Female, Single
Row, Version A,
Non-polarized,
Wire Size 28 AWG,
0.38µm Gold (Au),
19 Circuits
2.54mm Pitch 14562196
SL Insulation

Displacement
Connector Assembly,
Female, Single Row,
Version G, Positive
Lock, Wire Size 28
AWG, 0.38µm Gold
(Au), 19 Circuits
2.54mm Pitch 14562197
SL Insulation

Displacement
Connector Assembly,
Female, Single
Row, Version A,
Non-polarized,
Wire Size 24 AWG,
0.76µm Gold (Au),
19 Circuits
2.54mm Pitch 14562198
SL Insulation

Displacement
Connector Assembly,
Female, Single Row,
Version G, Positive
Lock, Wire Size 24
AWG, 0.76µm Gold
(Au), 19 Circuits
2.54mm Pitch 14562199
SL Insulation

Displacement
Connector Assembly,
Female, Single
Row, Version A,
Non-polarized,
Wire Size 26 AWG,
0.76µm Gold (Au),
19 Circuits
2.54mm Pitch 14562201
SL Insulation

Displacement
Connector Assembly,
Female, Single
Row, Version A,
Non-polarized,
Wire Size 24 AWG,
0.38µm Gold (Au),
20 Circuits

2.54mm Pitch 14562202

SL Insulation
Displacement
Connector Assembly,
Female, Single Row,
Version G, Positive
Lock, Wire Size 24
AWG, 0.38 μ m Gold
(Au), 20 Circuits

2.54mm Pitch 14562203

SL Insulation
Displacement
Connector Assembly,
Female, Single
Row, Version A,
Non-polarized,
Wire Size 26 AWG,
0.38 μ m Gold (Au),
20 Circuits

2.54mm Pitch 14562204

SL Insulation
Displacement
Connector Assembly,
Female, Single Row,
Version G, Positive
Lock, Wire Size 26
AWG, 0.38 μ m Gold
(Au), 20 Circuits

2.54mm Pitch 14562205

SL Insulation
Displacement
Connector Assembly,
Female, Single
Row, Version A,
Non-polarized,
Wire Size 28 AWG,
0.38 μ m Gold (Au),
20 Circuits

2.54mm Pitch 14562206

SL Insulation
Displacement
Connector Assembly,
Female, Single Row,
Version G, Positive
Lock, Wire Size 28
AWG, 0.38 μ m Gold
(Au), 20 Circuits

2.54mm Pitch 14562207

SL Insulation
Displacement
Connector Assembly,
Female, Single
Row, Version A,
Non-polarized,
Wire Size 24 AWG,
0.76 μ m Gold (Au),
20 Circuits

2.54mm Pitch 14562208

SL Insulation
Displacement
Connector Assembly,
Female, Single Row,
Version G, Positive
Lock, Wire Size 24

AWG, 0.76 μ m Gold
(Au), 20 Circuits
2.54mm Pitch 14562209
SL Insulation
Displacement
Connector Assembly,
Female, Single
Row, Version A,
Non-polarized,
Wire Size 26 AWG,
0.76 μ m Gold (Au),
20 Circuits
2.54mm Pitch 14562211
SL Insulation
Displacement
Connector Assembly,
Female, Single
Row, Version A,
Non-polarized,
Wire Size 24 AWG,
0.38 μ m Gold (Au),
21 Circuits
2.54mm Pitch 14562212
SL Insulation
Displacement
Connector Assembly,
Female, Single Row,
Version G, Positive
Lock, Wire Size 24
AWG, 0.38 μ m Gold
(Au), 21 Circuits
2.54mm Pitch 14562213
SL Insulation
Displacement
Connector Assembly,
Female, Single
Row, Version A,
Non-polarized,
Wire Size 26 AWG,
0.38 μ m Gold (Au),
21 Circuits
2.54mm Pitch 14562214
SL Insulation
Displacement
Connector Assembly,
Female, Single Row,
Version G, Positive
Lock, Wire Size 26
AWG, 0.38 μ m Gold
(Au), 21 Circuits
2.54mm Pitch 14562215
SL Insulation
Displacement
Connector Assembly,
Female, Single
Row, Version A,
Non-polarized,
Wire Size 28 AWG,
0.38 μ m Gold (Au),
21 Circuits
2.54mm Pitch 14562216
SL Insulation
Displacement
Connector Assembly,
Female, Single Row,

Version G, Positive
Lock, Wire Size 28
AWG, 0.38 μ m Gold
(Au), 21 Circuits
2.54mm Pitch 14562217
SL Insulation
Displacement
Connector Assembly,
Female, Single
Row, Version A,
Non-polarized,
Wire Size 24 AWG,
0.76 μ m Gold (Au),
21 Circuits
2.54mm Pitch 14562218
SL Insulation
Displacement
Connector Assembly,
Female, Single Row,
Version G, Positive
Lock, Wire Size 24
AWG, 0.76 μ m Gold
(Au), 21 Circuits
2.54mm Pitch 14562219
SL Insulation
Displacement
Connector Assembly,
Female, Single
Row, Version A,
Non-polarized,
Wire Size 26 AWG,
0.76 μ m Gold (Au),
21 Circuits
2.54mm Pitch 14562221
SL Insulation
Displacement
Connector Assembly,
Female, Single
Row, Version A,
Non-polarized,
Wire Size 24 AWG,
0.38 μ m Gold (Au),
22 Circuits
2.54mm Pitch 14562222
SL Insulation
Displacement
Connector Assembly,
Female, Single Row,
Version G, Positive
Lock, Wire Size 24
AWG, 0.38 μ m Gold
(Au), 22 Circuits
2.54mm Pitch 14562223
SL Insulation
Displacement
Connector Assembly,
Female, Single
Row, Version A,
Non-polarized,
Wire Size 26 AWG,
0.38 μ m Gold (Au),
22 Circuits
2.54mm Pitch 14562224
SL Insulation
Displacement

Connector Assembly,
Female, Single Row,
Version G, Positive
Lock, Wire Size 26
AWG, 0.38µm Gold
(Au), 22 Circuits
2.54mm Pitch 14562225
SL Insulation
Displacement
Connector Assembly,
Female, Single
Row, Version A,
Non-polarized,
Wire Size 28 AWG,
0.38µm Gold (Au),
22 Circuits
2.54mm Pitch 14562226
SL Insulation
Displacement
Connector Assembly,
Female, Single Row,
Version G, Positive
Lock, Wire Size 28
AWG, 0.38µm Gold
(Au), 22 Circuits
2.54mm Pitch 14562227
SL Insulation
Displacement
Connector Assembly,
Female, Single
Row, Version A,
Non-polarized,
Wire Size 24 AWG,
0.76µm Gold (Au),
22 Circuits
2.54mm Pitch 14562228
SL Insulation
Displacement
Connector Assembly,
Female, Single Row,
Version G, Positive
Lock, Wire Size 24
AWG, 0.76µm Gold
(Au), 22 Circuits
2.54mm Pitch 14562229
SL Insulation
Displacement
Connector Assembly,
Female, Single
Row, Version A,
Non-polarized,
Wire Size 26 AWG,
0.76µm Gold (Au),
22 Circuits
2.54mm Pitch 14562231
SL Insulation
Displacement
Connector Assembly,
Female, Single
Row, Version A,
Non-polarized,
Wire Size 24 AWG,
0.38µm Gold (Au),
23 Circuits

2.54mm Pitch 14562232

SL Insulation
Displacement
Connector Assembly,
Female, Single Row,
Version G, Positive
Lock, Wire Size 24
AWG, 0.38µm Gold
(Au), 23 Circuits

2.54mm Pitch 14562233

SL Insulation
Displacement
Connector Assembly,
Female, Single
Row, Version A,
Non-polarized,
Wire Size 26 AWG,
0.38µm Gold (Au),
23 Circuits

2.54mm Pitch 14562234

SL Insulation
Displacement
Connector Assembly,
Female, Single Row,
Version G, Positive
Lock, Wire Size 26
AWG, 0.38µm Gold
(Au), 23 Circuits

2.54mm Pitch 14562235

SL Insulation
Displacement
Connector Assembly,
Female, Single
Row, Version A,
Non-polarized,
Wire Size 28 AWG,
0.38µm Gold (Au),
23 Circuits

2.54mm Pitch 14562236

SL Insulation
Displacement
Connector Assembly,
Female, Single Row,
Version G, Positive
Lock, Wire Size 28
AWG, 0.38µm Gold
(Au), 23 Circuits

2.54mm Pitch 14562237

SL Insulation
Displacement
Connector Assembly,
Female, Single
Row, Version A,
Non-polarized,
Wire Size 24 AWG,
0.76µm Gold (Au),
23 Circuits

2.54mm Pitch 14562238

SL Insulation
Displacement
Connector Assembly,
Female, Single Row,
Version G, Positive
Lock, Wire Size 24

AWG, 0.76 μ m Gold
(Au), 23 Circuits
2.54mm Pitch 14562239
SL Insulation
Displacement
Connector Assembly,
Female, Single
Row, Version A,
Non-polarized,
Wire Size 26 AWG,
0.76 μ m Gold (Au),
23 Circuits
2.54mm Pitch 14562241
SL Insulation
Displacement
Connector Assembly,
Female, Single
Row, Version A,
Non-polarized,
Wire Size 24 AWG,
0.38 μ m Gold (Au),
24 Circuits
2.54mm Pitch 14562242
SL Insulation
Displacement
Connector Assembly,
Female, Single Row,
Version G, Positive
Lock, Wire Size 24
AWG, 0.38 μ m Gold
(Au), 24 Circuits
2.54mm Pitch 14562243
SL Insulation
Displacement
Connector Assembly,
Female, Single
Row, Version A,
Non-polarized,
Wire Size 26 AWG,
0.38 μ m Gold (Au),
24 Circuits
2.54mm Pitch 14562244
SL Insulation
Displacement
Connector Assembly,
Female, Single Row,
Version G, Positive
Lock, Wire Size 26
AWG, 0.38 μ m Gold
(Au), 24 Circuits
2.54mm Pitch 14562245
SL Insulation
Displacement
Connector Assembly,
Female, Single
Row, Version A,
Non-polarized,
Wire Size 28 AWG,
0.38 μ m Gold (Au),
24 Circuits
2.54mm Pitch 14562246
SL Insulation
Displacement
Connector Assembly,
Female, Single Row,

Version G, Positive
Lock, Wire Size 28
AWG, 0.38 μ m Gold
(Au), 24 Circuits
2.54mm Pitch 14562247
SL Insulation
Displacement
Connector Assembly,
Female, Single
Row, Version A,
Non-polarized,
Wire Size 24 AWG,
0.76 μ m Gold (Au),
24 Circuits
2.54mm Pitch 14562248
SL Insulation
Displacement
Connector Assembly,
Female, Single Row,
Version G, Positive
Lock, Wire Size 24
AWG, 0.76 μ m Gold
(Au), 24 Circuits
2.54mm Pitch 14562249
SL Insulation
Displacement
Connector Assembly,
Female, Single
Row, Version A,
Non-polarized,
Wire Size 26 AWG,
0.76 μ m Gold (Au),
24 Circuits
2.54mm Pitch 14562251
SL Insulation
Displacement
Connector Assembly,
Female, Single
Row, Version A,
Non-polarized,
Wire Size 24 AWG,
0.38 μ m Gold (Au),
25 Circuits
2.54mm Pitch 14562252
SL Insulation
Displacement
Connector Assembly,
Female, Single Row,
Version G, Positive
Lock, Wire Size 24
AWG, 0.38 μ m Gold
(Au), 25 Circuits
2.54mm Pitch 14562253
SL Insulation
Displacement
Connector Assembly,
Female, Single
Row, Version A,
Non-polarized,
Wire Size 26 AWG,
0.38 μ m Gold (Au),
25 Circuits
2.54mm Pitch 14562254
SL Insulation
Displacement

Connector Assembly,
Female, Single Row,
Version G, Positive
Lock, Wire Size 26
AWG, 0.38 μ m Gold
(Au), 25 Circuits
2.54mm Pitch 14562255
SL Insulation
Displacement

Connector Assembly,
Female, Single
Row, Version A,
Non-polarized,
Wire Size 28 AWG,
0.38 μ m Gold (Au),
25 Circuits
2.54mm Pitch 14562256
SL Insulation
Displacement

Connector Assembly,
Female, Single Row,
Version G, Positive
Lock, Wire Size 28
AWG, 0.38 μ m Gold
(Au), 25 Circuits
2.54mm Pitch 14562257
SL Insulation
Displacement

Connector Assembly,
Female, Single
Row, Version A,
Non-polarized,
Wire Size 24 AWG,
0.76 μ m Gold (Au),
25 Circuits
2.54mm Pitch 14562258
SL Insulation
Displacement

Connector Assembly,
Female, Single Row,
Version G, Positive
Lock, Wire Size 24
AWG, 0.76 μ m Gold
(Au), 25 Circuits
2.54mm Pitch 14562259
SL Insulation
Displacement

Connector Assembly,
Female, Single
Row, Version A,
Non-polarized,
Wire Size 26 AWG,
0.76 μ m Gold (Au),
25 Circuits
2.54mm Pitch 14563021
SL Insulation
Displacement

Connector Assembly,
Female, Single Row,
Version G, Positive
Lock, Wire Size 26
AWG, 0.76 μ m Gold
(Au), 2 Circuits
2.54mm Pitch 14563022
SL Insulation

Displacement
Connector Assembly,
Female, Single Row,
Version A, Non-
polarized, Wire Size
28 AWG, 0.76µm
Gold (Au), 2 Circuits
2.54mm Pitch 14563023
SL Insulation

Displacement
Connector Assembly,
Female, Single Row,
Version G, Positive
Lock, Wire Size 28
AWG, 0.76µm Gold
(Au), 2 Circuits
2.54mm Pitch 14563024
SL Insulation

Displacement
Connector Assembly,
Female, Single Row,
Version D, Back
Ribs, Wire Size 24
AWG, 0.38µm Gold
(Au), 2 Circuits
2.54mm Pitch 14563025
SL Insulation

Displacement
Connector Assembly,
Female, Single Row,
Version C, Front
Ribs, Wire Size 24
AWG, 0.38µm Gold
(Au), 2 Circuits
2.54mm Pitch 14563026
SL Insulation

Displacement
Connector Assembly,
Female, Single Row,
Version C, Front
Ribs, Wire Size 26
AWG, 0.38µm Gold
(Au), 2 Circuits
2.54mm Pitch 14563027
SL Insulation

Displacement
Connector Assembly,
Female, Single Row,
Version D, Back
Ribs, Wire Size 26
AWG, 0.38µm Gold
(Au), 2 Circuits
2.54mm Pitch 14563028
SL Insulation

Displacement
Connector Assembly,
Female, Single Row,
Version C, Front
Ribs, Wire Size 28
AWG, 0.38µm Gold
(Au), 2 Circuits
2.54mm Pitch 14563029
SL Insulation

Displacement
Connector Assembly,

Female, Single Row,
Version D, Back
Ribs, Wire Size 28
AWG, 0.38 μ m Gold
(Au), 2 Circuits
2.54mm Pitch 14563031
SL Insulation
Displacement
Connector Assembly,
Female, Single Row,
Version G, Positive
Lock, Wire Size 26
AWG, 0.76 μ m Gold
(Au), 3 Circuits
2.54mm Pitch 14563032
SL Insulation
Displacement
Connector Assembly,
Female, Single Row,
Version A, Non-
polarized, Wire Size
28 AWG, 0.76 μ m
Gold (Au), 3 Circuits
2.54mm Pitch 14563033
SL Insulation
Displacement
Connector Assembly,
Female, Single Row,
Version G, Positive
Lock, Wire Size 28
AWG, 0.76 μ m Gold
(Au), 3 Circuits
2.54mm Pitch 14563034
SL Insulation
Displacement
Connector Assembly,
Female, Single Row,
Version D, Back
Ribs, Wire Size 24
AWG, 0.38 μ m Gold
(Au), 3 Circuits
2.54mm Pitch 14563035
SL Insulation
Displacement
Connector Assembly,
Female, Single Row,
Version C, Front
Ribs, Wire Size 24
AWG, 0.38 μ m Gold
(Au), 3 Circuits
2.54mm Pitch 14563036
SL Insulation
Displacement
Connector Assembly,
Female, Single Row,
Version C, Front
Ribs, Wire Size 26
AWG, 0.38 μ m Gold
(Au), 3 Circuits
2.54mm Pitch 14563037
SL Insulation
Displacement
Connector Assembly,
Female, Single Row,
Version D, Back

Ribs, Wire Size 26
AWG, 0.38 μ m Gold
(Au), 3 Circuits
2.54mm Pitch 14563038
SL Insulation
Displacement
Connector Assembly,
Female, Single Row,
Version C, Front
Ribs, Wire Size 28
AWG, 0.38 μ m Gold
(Au), 3 Circuits
2.54mm Pitch 14563039
SL Insulation
Displacement
Connector Assembly,
Female, Single Row,
Version D, Back
Ribs, Wire Size 28
AWG, 0.38 μ m Gold
(Au), 3 Circuits
2.54mm Pitch 14563041
SL Insulation
Displacement
Connector Assembly,
Female, Single Row,
Version G, Positive
Lock, Wire Size 26
AWG, 0.76 μ m Gold
(Au), 4 Circuits
2.54mm Pitch 14563042
SL Insulation
Displacement
Connector Assembly,
Female, Single Row,
Version A, Non-
polarized, Wire Size
28 AWG, 0.76 μ m
Gold (Au), 4 Circuits
2.54mm Pitch 14563043
SL Insulation
Displacement
Connector Assembly,
Female, Single Row,
Version G, Positive
Lock, Wire Size 28
AWG, 0.76 μ m Gold
(Au), 4 Circuits
2.54mm Pitch 14563044
SL Insulation
Displacement
Connector Assembly,
Female, Single Row,
Version D, Back
Ribs, Wire Size 24
AWG, 0.38 μ m Gold
(Au), 4 Circuits
2.54mm Pitch 14563045
SL Insulation
Displacement
Connector Assembly,
Female, Single Row,
Version C, Front
Ribs, Wire Size 24

AWG, 0.38 μ m Gold
(Au), 4 Circuits
2.54mm Pitch 14563046
SL Insulation
Displacement
Connector Assembly,
Female, Single Row,
Version C, Front
Ribs, Wire Size 26
AWG, 0.38 μ m Gold
(Au), 4 Circuits
2.54mm Pitch 14563047
SL Insulation
Displacement
Connector Assembly,
Female, Single Row,
Version D, Back
Ribs, Wire Size 26
AWG, 0.38 μ m Gold
(Au), 4 Circuits
2.54mm Pitch 14563048
SL Insulation
Displacement
Connector Assembly,
Female, Single Row,
Version C, Front
Ribs, Wire Size 28
AWG, 0.38 μ m Gold
(Au), 4 Circuits
2.54mm Pitch 14563049
SL Insulation
Displacement
Connector Assembly,
Female, Single Row,
Version D, Back
Ribs, Wire Size 28
AWG, 0.38 μ m Gold
(Au), 4 Circuits
2.54mm Pitch 14563051
SL Insulation
Displacement
Connector Assembly,
Female, Single Row,
Version G, Positive
Lock, Wire Size 26
AWG, 0.76 μ m Gold
(Au), 5 Circuits
2.54mm Pitch 14563052
SL Insulation
Displacement
Connector Assembly,
Female, Single Row,
Version A, Non-
polarized, Wire Size
28 AWG, 0.76 μ m
Gold (Au), 5 Circuits
2.54mm Pitch 14563053
SL Insulation
Displacement
Connector Assembly,
Female, Single Row,
Version G, Positive
Lock, Wire Size 28
AWG, 0.76 μ m Gold
(Au), 5 Circuits

2.54mm Pitch 14563054
SL Insulation
Displacement
Connector Assembly,
Female, Single Row,
Version D, Back
Ribs, Wire Size 24
AWG, 0.38 μ m Gold
(Au), 5 Circuits

2.54mm Pitch 14563055
SL Insulation
Displacement
Connector Assembly,
Female, Single Row,
Version C, Front
Ribs, Wire Size 24
AWG, 0.38 μ m Gold
(Au), 5 Circuits

2.54mm Pitch 14563056
SL Insulation
Displacement
Connector Assembly,
Female, Single Row,
Version C, Front
Ribs, Wire Size 26
AWG, 0.38 μ m Gold
(Au), 5 Circuits

2.54mm Pitch 14563057
SL Insulation
Displacement
Connector Assembly,
Female, Single Row,
Version D, Back
Ribs, Wire Size 26
AWG, 0.38 μ m Gold
(Au), 5 Circuits

2.54mm Pitch 14563058
SL Insulation
Displacement
Connector Assembly,
Female, Single Row,
Version C, Front
Ribs, Wire Size 28
AWG, 0.38 μ m Gold
(Au), 5 Circuits

2.54mm Pitch 14563059
SL Insulation
Displacement
Connector Assembly,
Female, Single Row,
Version D, Back
Ribs, Wire Size 28
AWG, 0.38 μ m Gold
(Au), 5 Circuits

2.54mm Pitch 14563061
SL Insulation
Displacement
Connector Assembly,
Female, Single Row,
Version G, Positive
Lock, Wire Size 26
AWG, 0.76 μ m Gold
(Au), 6 Circuits

2.54mm Pitch 14563062
SL Insulation

Displacement
Connector Assembly,
Female, Single Row,
Version A, Non-
polarized, Wire Size
28 AWG, 0.76µm
Gold (Au), 6 Circuits
2.54mm Pitch 14563063

SL Insulation
Displacement
Connector Assembly,
Female, Single Row,
Version G, Positive
Lock, Wire Size 28
AWG, 0.76µm Gold
(Au), 6 Circuits
2.54mm Pitch 14563064

SL Insulation
Displacement
Connector Assembly,
Female, Single Row,
Version D, Back
Ribs, Wire Size 24
AWG, 0.38µm Gold
(Au), 6 Circuits
2.54mm Pitch 14563065

SL Insulation
Displacement
Connector Assembly,
Female, Single Row,
Version C, Front
Ribs, Wire Size 24
AWG, 0.38µm Gold
(Au), 6 Circuits
2.54mm Pitch 14563066

SL Insulation
Displacement
Connector Assembly,
Female, Single Row,
Version C, Front
Ribs, Wire Size 26
AWG, 0.38µm Gold
(Au), 6 Circuits
2.54mm Pitch 14563067

SL Insulation
Displacement
Connector Assembly,
Female, Single Row,
Version D, Back
Ribs, Wire Size 26
AWG, 0.38µm Gold
(Au), 6 Circuits
2.54mm Pitch 14563068

SL Insulation
Displacement
Connector Assembly,
Female, Single Row,
Version C, Front
Ribs, Wire Size 28
AWG, 0.38µm Gold
(Au), 6 Circuits
2.54mm Pitch 14563069

SL Insulation
Displacement
Connector Assembly,

Female, Single Row,
Version D, Back
Ribs, Wire Size 28
AWG, 0.38µm Gold
(Au), 6 Circuits
2.54mm Pitch 14563071
SL Insulation
Displacement
Connector Assembly,
Female, Single Row,
Version G, Positive
Lock, Wire Size 26
AWG, 0.76µm Gold
(Au), 7 Circuits
2.54mm Pitch 14563072
SL Insulation
Displacement
Connector Assembly,
Female, Single Row,
Version A, Non-
polarized, Wire Size
28 AWG, 0.76µm
Gold (Au), 7 Circuits
2.54mm Pitch 14563073
SL Insulation
Displacement
Connector Assembly,
Female, Single Row,
Version G, Positive
Lock, Wire Size 28
AWG, 0.76µm Gold
(Au), 7 Circuits
2.54mm Pitch 14563074
SL Insulation
Displacement
Connector Assembly,
Female, Single Row,
Version D, Back
Ribs, Wire Size 24
AWG, 0.38µm Gold
(Au), 7 Circuits
2.54mm Pitch 14563075
SL Insulation
Displacement
Connector Assembly,
Female, Single Row,
Version C, Front
Ribs, Wire Size 24
AWG, 0.38µm Gold
(Au), 7 Circuits
2.54mm Pitch 14563076
SL Insulation
Displacement
Connector Assembly,
Female, Single Row,
Version C, Front
Ribs, Wire Size 26
AWG, 0.38µm Gold
(Au), 7 Circuits
2.54mm Pitch 14563077
SL Insulation
Displacement
Connector Assembly,
Female, Single Row,
Version D, Back

Ribs, Wire Size 26
AWG, 0.38µm Gold
(Au), 7 Circuits
2.54mm Pitch 14563078
SL Insulation
Displacement
Connector Assembly,
Female, Single Row,
Version C, Front
Ribs, Wire Size 28
AWG, 0.38µm Gold
(Au), 7 Circuits
2.54mm Pitch 14563081
SL Insulation
Displacement
Connector Assembly,
Female, Single Row,
Version G, Positive
Lock, Wire Size 26
AWG, 0.76µm Gold
(Au), 8 Circuits
2.54mm Pitch 14563082
SL Insulation
Displacement
Connector Assembly,
Female, Single Row,
Version A, Non-
polarized, Wire Size
28 AWG, 0.76µm
Gold (Au), 8 Circuits
2.54mm Pitch 14563083
SL Insulation
Displacement
Connector Assembly,
Female, Single Row,
Version G, Positive
Lock, Wire Size 28
AWG, 0.76µm Gold
(Au), 8 Circuits
2.54mm Pitch 14563084
SL Insulation
Displacement
Connector Assembly,
Female, Single Row,
Version D, Back
Ribs, Wire Size 24
AWG, 0.38µm Gold
(Au), 8 Circuits
2.54mm Pitch 14563085
SL Insulation
Displacement
Connector Assembly,
Female, Single Row,
Version C, Front
Ribs, Wire Size 24
AWG, 0.38µm Gold
(Au), 8 Circuits
2.54mm Pitch 14563086
SL Insulation
Displacement
Connector Assembly,
Female, Single Row,
Version C, Front
Ribs, Wire Size 26

AWG, 0.38 μ m Gold
(Au), 8 Circuits
2.54mm Pitch 14563087
SL Insulation
Displacement
Connector Assembly,
Female, Single Row,
Version D, Back
Ribs, Wire Size 26
AWG, 0.38 μ m Gold
(Au), 8 Circuits
2.54mm Pitch 14563088
SL Insulation
Displacement
Connector Assembly,
Female, Single Row,
Version C, Front
Ribs, Wire Size 28
AWG, 0.38 μ m Gold
(Au), 8 Circuits
2.54mm Pitch 14563089
SL Insulation
Displacement
Connector Assembly,
Female, Single Row,
Version D, Back
Ribs, Wire Size 28
AWG, 0.38 μ m Gold
(Au), 8 Circuits
2.54mm Pitch 14563091
SL Insulation
Displacement
Connector Assembly,
Female, Single Row,
Version G, Positive
Lock, Wire Size 26
AWG, 0.76 μ m Gold
(Au), 9 Circuits
2.54mm Pitch 14563092
SL Insulation
Displacement
Connector Assembly,
Female, Single Row,
Version A, Non-
polarized, Wire Size
28 AWG, 0.76 μ m
Gold (Au), 9 Circuits
2.54mm Pitch 14563093
SL Insulation
Displacement
Connector Assembly,
Female, Single Row,
Version G, Positive
Lock, Wire Size 28
AWG, 0.76 μ m Gold
(Au), 9 Circuits
2.54mm Pitch 14563094
SL Insulation
Displacement
Connector Assembly,
Female, Single Row,
Version D, Back
Ribs, Wire Size 24
AWG, 0.38 μ m Gold
(Au), 9 Circuits

2.54mm Pitch 14563095
SL Insulation
Displacement
Connector Assembly,
Female, Single Row,
Version C, Front
Ribs, Wire Size 24
AWG, 0.38µm Gold
(Au), 9 Circuits

2.54mm Pitch 14563096
SL Insulation
Displacement
Connector Assembly,
Female, Single Row,
Version C, Front
Ribs, Wire Size 26
AWG, 0.38µm Gold
(Au), 9 Circuits

2.54mm Pitch 14563097
SL Insulation
Displacement
Connector Assembly,
Female, Single Row,
Version D, Back
Ribs, Wire Size 26
AWG, 0.38µm Gold
(Au), 9 Circuits

2.54mm Pitch 14563098
SL Insulation
Displacement
Connector Assembly,
Female, Single Row,
Version C, Front
Ribs, Wire Size 28
AWG, 0.38µm Gold
(Au), 9 Circuits

2.54mm Pitch 14563099
SL Insulation
Displacement
Connector Assembly,
Female, Single Row,
Version D, Back
Ribs, Wire Size 28
AWG, 0.38µm Gold
(Au), 9 Circuits

2.54mm Pitch 14563101
SL Insulation
Displacement
Connector Assembly,
Female, Single Row,
Version G, Positive
Lock, Wire Size 26
AWG, 0.76µm Gold
(Au), 10 Circuits

2.54mm Pitch 14563102
SL Insulation
Displacement
Connector Assembly,
Female, Single
Row, Version A,
Non-polarized,
Wire Size 28 AWG,
0.76µm Gold (Au),
10 Circuits

2.54mm Pitch 14563103
SL Insulation
Displacement
Connector Assembly,
Female, Single Row,
Version G, Positive
Lock, Wire Size 28
AWG, 0.76µm Gold
(Au), 10 Circuits

2.54mm Pitch 14563104
SL Insulation
Displacement
Connector Assembly,
Female, Single Row,
Version D, Back
Ribs, Wire Size 24
AWG, 0.38µm Gold
(Au), 10 Circuits

2.54mm Pitch 14563105
SL Insulation
Displacement
Connector Assembly,
Female, Single Row,
Version C, Front
Ribs, Wire Size 24
AWG, 0.38µm Gold
(Au), 10 Circuits

2.54mm Pitch 14563106
SL Insulation
Displacement
Connector Assembly,
Female, Single Row,
Version C, Front
Ribs, Wire Size 26
AWG, 0.38µm Gold
(Au), 10 Circuits

2.54mm Pitch 14563107
SL Insulation
Displacement
Connector Assembly,
Female, Single Row,
Version D, Back
Ribs, Wire Size 26
AWG, 0.38µm Gold
(Au), 10 Circuits

2.54mm Pitch 14563108
SL Insulation
Displacement
Connector Assembly,
Female, Single Row,
Version C, Front
Ribs, Wire Size 28
AWG, 0.38µm Gold
(Au), 10 Circuits

2.54mm Pitch 14563109
SL Insulation
Displacement
Connector Assembly,
Female, Single Row,
Version D, Back
Ribs, Wire Size 28
AWG, 0.38µm Gold
(Au), 10 Circuits

2.54mm Pitch 14563111
SL Insulation

Displacement
Connector Assembly,
Female, Single Row,
Version G, Positive
Lock, Wire Size 26
AWG, 0.76µm Gold
(Au), 11 Circuits
2.54mm Pitch 14563112
SL Insulation

Displacement
Connector Assembly,
Female, Single
Row, Version A,
Non-polarized,
Wire Size 28 AWG,
0.76µm Gold (Au),
11 Circuits
2.54mm Pitch 14563113
SL Insulation

Displacement
Connector Assembly,
Female, Single Row,
Version G, Positive
Lock, Wire Size 28
AWG, 0.76µm Gold
(Au), 11 Circuits
2.54mm Pitch 14563114
SL Insulation

Displacement
Connector Assembly,
Female, Single Row,
Version D, Back
Ribs, Wire Size 24
AWG, 0.38µm Gold
(Au), 11 Circuits
2.54mm Pitch 14563115
SL Insulation

Displacement
Connector Assembly,
Female, Single Row,
Version C, Front
Ribs, Wire Size 24
AWG, 0.38µm Gold
(Au), 11 Circuits
2.54mm Pitch 14563116
SL Insulation

Displacement
Connector Assembly,
Female, Single Row,
Version C, Front
Ribs, Wire Size 26
AWG, 0.38µm Gold
(Au), 11 Circuits
2.54mm Pitch 14563117
SL Insulation

Displacement
Connector Assembly,
Female, Single Row,
Version D, Back
Ribs, Wire Size 26
AWG, 0.38µm Gold
(Au), 11 Circuits
2.54mm Pitch 14563118
SL Insulation

Displacement

Connector Assembly,
Female, Single Row,
Version C, Front
Ribs, Wire Size 28
AWG, 0.38µm Gold
(Au), 11 Circuits
2.54mm Pitch 14563119

SL Insulation
Displacement
Connector Assembly,
Female, Single Row,
Version D, Back
Ribs, Wire Size 28
AWG, 0.38µm Gold
(Au), 11 Circuits
2.54mm Pitch 14563121

SL Insulation
Displacement
Connector Assembly,
Female, Single Row,
Version G, Positive
Lock, Wire Size 26
AWG, 0.76µm Gold
(Au), 12 Circuits
2.54mm Pitch 14563122

SL Insulation
Displacement
Connector Assembly,
Female, Single
Row, Version A,
Non-polarized,
Wire Size 28 AWG,
0.76µm Gold (Au),
12 Circuits
2.54mm Pitch 14563123

SL Insulation
Displacement
Connector Assembly,
Female, Single Row,
Version G, Positive
Lock, Wire Size 28
AWG, 0.76µm Gold
(Au), 12 Circuits
2.54mm Pitch 14563124

SL Insulation
Displacement
Connector Assembly,
Female, Single Row,
Version D, Back
Ribs, Wire Size 24
AWG, 0.38µm Gold
(Au), 12 Circuits
2.54mm Pitch 14563125

SL Insulation
Displacement
Connector Assembly,
Female, Single Row,
Version C, Front
Ribs, Wire Size 24
AWG, 0.38µm Gold
(Au), 12 Circuits
2.54mm Pitch 14563126

SL Insulation
Displacement
Connector Assembly,

Female, Single Row,
Version C, Front
Ribs, Wire Size 26
AWG, 0.38 μ m Gold
(Au), 12 Circuits
2.54mm Pitch 14563127
SL Insulation
Displacement
Connector Assembly,
Female, Single Row,
Version D, Back
Ribs, Wire Size 26
AWG, 0.38 μ m Gold
(Au), 12 Circuits
2.54mm Pitch 14563128
SL Insulation
Displacement
Connector Assembly,
Female, Single Row,
Version C, Front
Ribs, Wire Size 28
AWG, 0.38 μ m Gold
(Au), 12 Circuits
2.54mm Pitch 14563129
SL Insulation
Displacement
Connector Assembly,
Female, Single Row,
Version D, Back
Ribs, Wire Size 28
AWG, 0.38 μ m Gold
(Au), 12 Circuits
2.54mm Pitch 14563131
SL Insulation
Displacement
Connector Assembly,
Female, Single Row,
Version G, Positive
Lock, Wire Size 26
AWG, 0.76 μ m Gold
(Au), 13 Circuits
2.54mm Pitch 14563132
SL Insulation
Displacement
Connector Assembly,
Female, Single
Row, Version A,
Non-polarized,
Wire Size 28 AWG,
0.76 μ m Gold (Au),
13 Circuits
2.54mm Pitch 14563133
SL Insulation
Displacement
Connector Assembly,
Female, Single Row,
Version G, Positive
Lock, Wire Size 28
AWG, 0.76 μ m Gold
(Au), 13 Circuits
2.54mm Pitch 14563134
SL Insulation
Displacement
Connector Assembly,
Female, Single Row,

Version D, Back
Ribs, Wire Size 24
AWG, 0.38 μ m Gold
(Au), 13 Circuits
2.54mm Pitch 14563135
SL Insulation
Displacement
Connector Assembly,
Female, Single Row,
Version C, Front
Ribs, Wire Size 24
AWG, 0.38 μ m Gold
(Au), 13 Circuits
2.54mm Pitch 14563136
SL Insulation
Displacement
Connector Assembly,
Female, Single Row,
Version C, Front
Ribs, Wire Size 26
AWG, 0.38 μ m Gold
(Au), 13 Circuits
2.54mm Pitch 14563137
SL Insulation
Displacement
Connector Assembly,
Female, Single Row,
Version D, Back
Ribs, Wire Size 26
AWG, 0.38 μ m Gold
(Au), 13 Circuits
2.54mm Pitch 14563138
SL Insulation
Displacement
Connector Assembly,
Female, Single Row,
Version C, Front
Ribs, Wire Size 28
AWG, 0.38 μ m Gold
(Au), 13 Circuits
2.54mm Pitch 14563139
SL Insulation
Displacement
Connector Assembly,
Female, Single Row,
Version D, Back
Ribs, Wire Size 28
AWG, 0.38 μ m Gold
(Au), 13 Circuits
2.54mm Pitch 14563141
SL Insulation
Displacement
Connector Assembly,
Female, Single Row,
Version G, Positive
Lock, Wire Size 26
AWG, 0.76 μ m Gold
(Au), 14 Circuits
2.54mm Pitch 14563142
SL Insulation
Displacement
Connector Assembly,
Female, Single
Row, Version A,
Non-polarized,

Wire Size 28 AWG,
0.76µm Gold (Au),
14 Circuits
2.54mm Pitch 14563143
SL Insulation
Displacement
Connector Assembly,
Female, Single Row,
Version G, Positive
Lock, Wire Size 28
AWG, 0.76µm Gold
(Au), 14 Circuits
2.54mm Pitch 14563144
SL Insulation
Displacement
Connector Assembly,
Female, Single Row,
Version D, Back
Ribs, Wire Size 24
AWG, 0.38µm Gold
(Au), 14 Circuits
2.54mm Pitch 14563145
SL Insulation
Displacement
Connector Assembly,
Female, Single Row,
Version C, Front
Ribs, Wire Size 24
AWG, 0.38µm Gold
(Au), 14 Circuits
2.54mm Pitch 14563146
SL Insulation
Displacement
Connector Assembly,
Female, Single Row,
Version C, Front
Ribs, Wire Size 26
AWG, 0.38µm Gold
(Au), 14 Circuits
2.54mm Pitch 14563147
SL Insulation
Displacement
Connector Assembly,
Female, Single Row,
Version D, Back
Ribs, Wire Size 26
AWG, 0.38µm Gold
(Au), 14 Circuits
2.54mm Pitch 14563148
SL Insulation
Displacement
Connector Assembly,
Female, Single Row,
Version C, Front
Ribs, Wire Size 28
AWG, 0.38µm Gold
(Au), 14 Circuits
2.54mm Pitch 14563149
SL Insulation
Displacement
Connector Assembly,
Female, Single Row,
Version D, Back
Ribs, Wire Size 28

AWG, 0.38 μ m Gold
(Au), 14 Circuits
2.54mm Pitch 14563151
SL Insulation
Displacement
Connector Assembly,
Female, Single Row,
Version G, Positive
Lock, Wire Size 26
AWG, 0.76 μ m Gold
(Au), 15 Circuits
2.54mm Pitch 14563152
SL Insulation
Displacement
Connector Assembly,
Female, Single
Row, Version A,
Non-polarized,
Wire Size 28 AWG,
0.76 μ m Gold (Au),
15 Circuits
2.54mm Pitch 14563153
SL Insulation
Displacement
Connector Assembly,
Female, Single Row,
Version G, Positive
Lock, Wire Size 28
AWG, 0.76 μ m Gold
(Au), 15 Circuits
2.54mm Pitch 14563154
SL Insulation
Displacement
Connector Assembly,
Female, Single Row,
Version D, Back
Ribs, Wire Size 24
AWG, 0.38 μ m Gold
(Au), 15 Circuits
2.54mm Pitch 14563155
SL Insulation
Displacement
Connector Assembly,
Female, Single Row,
Version C, Front
Ribs, Wire Size 24
AWG, 0.38 μ m Gold
(Au), 15 Circuits
2.54mm Pitch 14563156
SL Insulation
Displacement
Connector Assembly,
Female, Single Row,
Version C, Front
Ribs, Wire Size 26
AWG, 0.38 μ m Gold
(Au), 15 Circuits
2.54mm Pitch 14563157
SL Insulation
Displacement
Connector Assembly,
Female, Single Row,
Version D, Back
Ribs, Wire Size 26

AWG, 0.38 μ m Gold
(Au), 15 Circuits
2.54mm Pitch 14563158
SL Insulation
Displacement
Connector Assembly,
Female, Single Row,
Version C, Front
Ribs, Wire Size 28
AWG, 0.38 μ m Gold
(Au), 15 Circuits
2.54mm Pitch 14563159
SL Insulation
Displacement
Connector Assembly,
Female, Single Row,
Version D, Back
Ribs, Wire Size 28
AWG, 0.38 μ m Gold
(Au), 15 Circuits
2.54mm Pitch 14563161
SL Insulation
Displacement
Connector Assembly,
Female, Single Row,
Version G, Positive
Lock, Wire Size 26
AWG, 0.76 μ m Gold
(Au), 16 Circuits
2.54mm Pitch 14563162
SL Insulation
Displacement
Connector Assembly,
Female, Single
Row, Version A,
Non-polarized,
Wire Size 28 AWG,
0.76 μ m Gold (Au),
16 Circuits
2.54mm Pitch 14563163
SL Insulation
Displacement
Connector Assembly,
Female, Single Row,
Version G, Positive
Lock, Wire Size 28
AWG, 0.76 μ m Gold
(Au), 16 Circuits
2.54mm Pitch 14563164
SL Insulation
Displacement
Connector Assembly,
Female, Single Row,
Version D, Back
Ribs, Wire Size 24
AWG, 0.38 μ m Gold
(Au), 16 Circuits
2.54mm Pitch 14563165
SL Insulation
Displacement
Connector Assembly,
Female, Single Row,
Version C, Front
Ribs, Wire Size 24

AWG, 0.38 μ m Gold
(Au), 16 Circuits
2.54mm Pitch 14563166
SL Insulation
Displacement
Connector Assembly,
Female, Single Row,
Version C, Front
Ribs, Wire Size 26
AWG, 0.38 μ m Gold
(Au), 16 Circuits
2.54mm Pitch 14563167
SL Insulation
Displacement
Connector Assembly,
Female, Single Row,
Version D, Back
Ribs, Wire Size 26
AWG, 0.38 μ m Gold
(Au), 16 Circuits
2.54mm Pitch 14563168
SL Insulation
Displacement
Connector Assembly,
Female, Single Row,
Version C, Front
Ribs, Wire Size 28
AWG, 0.38 μ m Gold
(Au), 16 Circuits
2.54mm Pitch 14563169
SL Insulation
Displacement
Connector Assembly,
Female, Single Row,
Version D, Back
Ribs, Wire Size 28
AWG, 0.38 μ m Gold
(Au), 16 Circuits
2.54mm Pitch 14563171
SL Insulation
Displacement
Connector Assembly,
Female, Single Row,
Version G, Positive
Lock, Wire Size 26
AWG, 0.76 μ m Gold
(Au), 17 Circuits
2.54mm Pitch 14563172
SL Insulation
Displacement
Connector Assembly,
Female, Single
Row, Version A,
Non-polarized,
Wire Size 28 AWG,
0.76 μ m Gold (Au),
17 Circuits
2.54mm Pitch 14563173
SL Insulation
Displacement
Connector Assembly,
Female, Single Row,
Version G, Positive
Lock, Wire Size 28

AWG, 0.76µm Gold
(Au), 17 Circuits
2.54mm Pitch 14563174
SL Insulation
Displacement
Connector Assembly,
Female, Single Row,
Version D, Back
Ribs, Wire Size 24
AWG, 0.38µm Gold
(Au), 17 Circuits
2.54mm Pitch 14563175
SL Insulation
Displacement
Connector Assembly,
Female, Single Row,
Version C, Front
Ribs, Wire Size 24
AWG, 0.38µm Gold
(Au), 17 Circuits
2.54mm Pitch 14563176
SL Insulation
Displacement
Connector Assembly,
Female, Single Row,
Version C, Front
Ribs, Wire Size 26
AWG, 0.38µm Gold
(Au), 17 Circuits
2.54mm Pitch 14563177
SL Insulation
Displacement
Connector Assembly,
Female, Single Row,
Version D, Back
Ribs, Wire Size 26
AWG, 0.38µm Gold
(Au), 17 Circuits
2.54mm Pitch 14563178
SL Insulation
Displacement
Connector Assembly,
Female, Single Row,
Version C, Front
Ribs, Wire Size 28
AWG, 0.38µm Gold
(Au), 17 Circuits
2.54mm Pitch 14563179
SL Insulation
Displacement
Connector Assembly,
Female, Single Row,
Version D, Back
Ribs, Wire Size 28
AWG, 0.38µm Gold
(Au), 17 Circuits
2.54mm Pitch 14563181
SL Insulation
Displacement
Connector Assembly,
Female, Single Row,
Version G, Positive
Lock, Wire Size 26
AWG, 0.76µm Gold
(Au), 18 Circuits

2.54mm Pitch 14563182
SL Insulation
Displacement
Connector Assembly,
Female, Single
Row, Version A,
Non-polarized,
Wire Size 28 AWG,
0.76µm Gold (Au),
18 Circuits

2.54mm Pitch 14563183
SL Insulation
Displacement
Connector Assembly,
Female, Single Row,
Version G, Positive
Lock, Wire Size 28
AWG, 0.76µm Gold
(Au), 18 Circuits

2.54mm Pitch 14563184
SL Insulation
Displacement
Connector Assembly,
Female, Single Row,
Version D, Back
Ribs, Wire Size 24
AWG, 0.38µm Gold
(Au), 18 Circuits

2.54mm Pitch 14563185
SL Insulation
Displacement
Connector Assembly,
Female, Single Row,
Version C, Front
Ribs, Wire Size 24
AWG, 0.38µm Gold
(Au), 18 Circuits

2.54mm Pitch 14563186
SL Insulation
Displacement
Connector Assembly,
Female, Single Row,
Version C, Front
Ribs, Wire Size 26
AWG, 0.38µm Gold
(Au), 18 Circuits

2.54mm Pitch 14563187
SL Insulation
Displacement
Connector Assembly,
Female, Single Row,
Version D, Back
Ribs, Wire Size 26
AWG, 0.38µm Gold
(Au), 18 Circuits

2.54mm Pitch 14563188
SL Insulation
Displacement
Connector Assembly,
Female, Single Row,
Version C, Front
Ribs, Wire Size 28
AWG, 0.38µm Gold
(Au), 18 Circuits

2.54mm Pitch [14563189](#)

SL Insulation
Displacement
Connector Assembly,
Female, Single Row,
Version D, Back
Ribs, Wire Size 28
AWG, 0.38 μ m Gold
(Au), 18 Circuits

2.54mm Pitch [14563191](#)

SL Insulation
Displacement
Connector Assembly,
Female, Single Row,
Version G, Positive
Lock, Wire Size 26
AWG, 0.76 μ m Gold
(Au), 19 Circuits

2.54mm Pitch [14563192](#)

SL Insulation
Displacement
Connector Assembly,
Female, Single
Row, Version A,
Non-polarized,
Wire Size 28 AWG,
0.76 μ m Gold (Au),
19 Circuits

2.54mm Pitch [14563193](#)

SL Insulation
Displacement
Connector Assembly,
Female, Single Row,
Version G, Positive
Lock, Wire Size 28
AWG, 0.76 μ m Gold
(Au), 19 Circuits

2.54mm Pitch [14563194](#)

SL Insulation
Displacement
Connector Assembly,
Female, Single Row,
Version D, Back
Ribs, Wire Size 24
AWG, 0.38 μ m Gold
(Au), 19 Circuits

2.54mm Pitch [14563195](#)

SL Insulation
Displacement
Connector Assembly,
Female, Single Row,
Version C, Front
Ribs, Wire Size 24
AWG, 0.38 μ m Gold
(Au), 19 Circuits

2.54mm Pitch [14563196](#)

SL Insulation
Displacement
Connector Assembly,
Female, Single Row,
Version C, Front
Ribs, Wire Size 26
AWG, 0.38 μ m Gold
(Au), 19 Circuits

2.54mm Pitch 14563197
SL Insulation
Displacement
Connector Assembly,
Female, Single Row,
Version D, Back
Ribs, Wire Size 26
AWG, 0.38µm Gold
(Au), 19 Circuits

2.54mm Pitch 14563198
SL Insulation
Displacement
Connector Assembly,
Female, Single Row,
Version C, Front
Ribs, Wire Size 28
AWG, 0.38µm Gold
(Au), 19 Circuits

2.54mm Pitch 14563199
SL Insulation
Displacement
Connector Assembly,
Female, Single Row,
Version D, Back
Ribs, Wire Size 28
AWG, 0.38µm Gold
(Au), 19 Circuits

2.54mm Pitch 14563201
SL Insulation
Displacement
Connector Assembly,
Female, Single Row,
Version G, Positive
Lock, Wire Size 26
AWG, 0.76µm Gold
(Au), 20 Circuits

2.54mm Pitch 14563202
SL Insulation
Displacement
Connector Assembly,
Female, Single
Row, Version A,
Non-polarized,
Wire Size 28 AWG,
0.76µm Gold (Au),
20 Circuits

2.54mm Pitch 14563203
SL Insulation
Displacement
Connector Assembly,
Female, Single Row,
Version G, Positive
Lock, Wire Size 28
AWG, 0.76µm Gold
(Au), 20 Circuits

2.54mm Pitch 14563204
SL Insulation
Displacement
Connector Assembly,
Female, Single Row,
Version D, Back
Ribs, Wire Size 24
AWG, 0.38µm Gold
(Au), 20 Circuits

2.54mm Pitch 14563205
SL Insulation
Displacement
Connector Assembly,
Female, Single Row,
Version C, Front
Ribs, Wire Size 24
AWG, 0.38µm Gold
(Au), 20 Circuits

2.54mm Pitch 14563206
SL Insulation
Displacement
Connector Assembly,
Female, Single Row,
Version C, Front
Ribs, Wire Size 26
AWG, 0.38µm Gold
(Au), 20 Circuits

2.54mm Pitch 14563207
SL Insulation
Displacement
Connector Assembly,
Female, Single Row,
Version D, Back
Ribs, Wire Size 26
AWG, 0.38µm Gold
(Au), 20 Circuits

2.54mm Pitch 14563208
SL Insulation
Displacement
Connector Assembly,
Female, Single Row,
Version C, Front
Ribs, Wire Size 28
AWG, 0.38µm Gold
(Au), 20 Circuits

2.54mm Pitch 14563209
SL Insulation
Displacement
Connector Assembly,
Female, Single Row,
Version D, Back
Ribs, Wire Size 28
AWG, 0.38µm Gold
(Au), 20 Circuits

2.54mm Pitch 14563211
SL Insulation
Displacement
Connector Assembly,
Female, Single Row,
Version G, Positive
Lock, Wire Size 26
AWG, 0.76µm Gold
(Au), 21 Circuits

2.54mm Pitch 14563212
SL Insulation
Displacement
Connector Assembly,
Female, Single
Row, Version A,
Non-polarized,
Wire Size 28 AWG,
0.76µm Gold (Au),
21 Circuits

2.54mm Pitch 14563213
SL Insulation
Displacement
Connector Assembly,
Female, Single Row,
Version G, Positive
Lock, Wire Size 28
AWG, 0.76µm Gold
(Au), 21 Circuits

2.54mm Pitch 14563214
SL Insulation
Displacement
Connector Assembly,
Female, Single Row,
Version D, Back
Ribs, Wire Size 24
AWG, 0.38µm Gold
(Au), 21 Circuits

2.54mm Pitch 14563215
SL Insulation
Displacement
Connector Assembly,
Female, Single Row,
Version C, Front
Ribs, Wire Size 24
AWG, 0.38µm Gold
(Au), 21 Circuits

2.54mm Pitch 14563216
SL Insulation
Displacement
Connector Assembly,
Female, Single Row,
Version C, Front
Ribs, Wire Size 26
AWG, 0.38µm Gold
(Au), 21 Circuits

2.54mm Pitch 14563217
SL Insulation
Displacement
Connector Assembly,
Female, Single Row,
Version D, Back
Ribs, Wire Size 26
AWG, 0.38µm Gold
(Au), 21 Circuits

2.54mm Pitch 14563218
SL Insulation
Displacement
Connector Assembly,
Female, Single Row,
Version C, Front
Ribs, Wire Size 28
AWG, 0.38µm Gold
(Au), 21 Circuits

2.54mm Pitch 14563219
SL Insulation
Displacement
Connector Assembly,
Female, Single Row,
Version D, Back
Ribs, Wire Size 28
AWG, 0.38µm Gold
(Au), 21 Circuits

2.54mm Pitch 14563221
SL Insulation

Displacement
Connector Assembly,
Female, Single Row,
Version G, Positive
Lock, Wire Size 26
AWG, 0.76µm Gold
(Au), 22 Circuits
2.54mm Pitch 14563222
SL Insulation

Displacement
Connector Assembly,
Female, Single
Row, Version A,
Non-polarized,
Wire Size 28 AWG,
0.76µm Gold (Au),
22 Circuits
2.54mm Pitch 14563223
SL Insulation

Displacement
Connector Assembly,
Female, Single Row,
Version G, Positive
Lock, Wire Size 28
AWG, 0.76µm Gold
(Au), 22 Circuits
2.54mm Pitch 14563224
SL Insulation

Displacement
Connector Assembly,
Female, Single Row,
Version D, Back
Ribs, Wire Size 24
AWG, 0.38µm Gold
(Au), 22 Circuits
2.54mm Pitch 14563225
SL Insulation

Displacement
Connector Assembly,
Female, Single Row,
Version C, Front
Ribs, Wire Size 24
AWG, 0.38µm Gold
(Au), 22 Circuits
2.54mm Pitch 14563226
SL Insulation

Displacement
Connector Assembly,
Female, Single Row,
Version C, Front
Ribs, Wire Size 26
AWG, 0.38µm Gold
(Au), 22 Circuits
2.54mm Pitch 14563227
SL Insulation

Displacement
Connector Assembly,
Female, Single Row,
Version D, Back
Ribs, Wire Size 26
AWG, 0.38µm Gold
(Au), 22 Circuits
2.54mm Pitch 14563228
SL Insulation

Displacement

Connector Assembly,
Female, Single Row,
Version C, Front
Ribs, Wire Size 28
AWG, 0.38µm Gold
(Au), 22 Circuits
2.54mm Pitch 14563229
SL Insulation
Displacement
Connector Assembly,
Female, Single Row,
Version D, Back
Ribs, Wire Size 28
AWG, 0.38µm Gold
(Au), 22 Circuits
2.54mm Pitch 14563231
SL Insulation
Displacement
Connector Assembly,
Female, Single Row,
Version G, Positive
Lock, Wire Size 26
AWG, 0.76µm Gold
(Au), 23 Circuits
2.54mm Pitch 14563232
SL Insulation
Displacement
Connector Assembly,
Female, Single
Row, Version A,
Non-polarized,
Wire Size 28 AWG,
0.76µm Gold (Au),
23 Circuits
2.54mm Pitch 14563233
SL Insulation
Displacement
Connector Assembly,
Female, Single Row,
Version G, Positive
Lock, Wire Size 28
AWG, 0.76µm Gold
(Au), 23 Circuits
2.54mm Pitch 14563234
SL Insulation
Displacement
Connector Assembly,
Female, Single Row,
Version D, Back
Ribs, Wire Size 24
AWG, 0.38µm Gold
(Au), 23 Circuits
2.54mm Pitch 14563235
SL Insulation
Displacement
Connector Assembly,
Female, Single Row,
Version C, Front
Ribs, Wire Size 24
AWG, 0.38µm Gold
(Au), 23 Circuits
2.54mm Pitch 14563236
SL Insulation
Displacement
Connector Assembly,

Female, Single Row,
Version C, Front
Ribs, Wire Size 26
AWG, 0.38µm Gold
(Au), 23 Circuits
2.54mm Pitch 14563237
SL Insulation
Displacement
Connector Assembly,
Female, Single Row,
Version D, Back
Ribs, Wire Size 26
AWG, 0.38µm Gold
(Au), 23 Circuits
2.54mm Pitch 14563238
SL Insulation
Displacement
Connector Assembly,
Female, Single Row,
Version C, Front
Ribs, Wire Size 28
AWG, 0.38µm Gold
(Au), 23 Circuits
2.54mm Pitch 14563239
SL Insulation
Displacement
Connector Assembly,
Female, Single Row,
Version D, Back
Ribs, Wire Size 28
AWG, 0.38µm Gold
(Au), 23 Circuits
2.54mm Pitch 14563241
SL Insulation
Displacement
Connector Assembly,
Female, Single Row,
Version G, Positive
Lock, Wire Size 26
AWG, 0.76µm Gold
(Au), 24 Circuits
2.54mm Pitch 14563242
SL Insulation
Displacement
Connector Assembly,
Female, Single
Row, Version A,
Non-polarized,
Wire Size 28 AWG,
0.76µm Gold (Au),
24 Circuits
2.54mm Pitch 14563243
SL Insulation
Displacement
Connector Assembly,
Female, Single Row,
Version G, Positive
Lock, Wire Size 28
AWG, 0.76µm Gold
(Au), 24 Circuits
2.54mm Pitch 14563244
SL Insulation
Displacement
Connector Assembly,
Female, Single Row,

Version D, Back
Ribs, Wire Size 24
AWG, 0.38 μ m Gold
(Au), 24 Circuits
2.54mm Pitch 14563245
SL Insulation
Displacement
Connector Assembly,
Female, Single Row,
Version C, Front
Ribs, Wire Size 24
AWG, 0.38 μ m Gold
(Au), 24 Circuits
2.54mm Pitch 14563246
SL Insulation
Displacement
Connector Assembly,
Female, Single Row,
Version C, Front
Ribs, Wire Size 26
AWG, 0.38 μ m Gold
(Au), 24 Circuits
2.54mm Pitch 14563247
SL Insulation
Displacement
Connector Assembly,
Female, Single Row,
Version D, Back
Ribs, Wire Size 26
AWG, 0.38 μ m Gold
(Au), 24 Circuits
2.54mm Pitch 14563248
SL Insulation
Displacement
Connector Assembly,
Female, Single Row,
Version C, Front
Ribs, Wire Size 28
AWG, 0.38 μ m Gold
(Au), 24 Circuits
2.54mm Pitch 14563249
SL Insulation
Displacement
Connector Assembly,
Female, Single Row,
Version D, Back
Ribs, Wire Size 28
AWG, 0.38 μ m Gold
(Au), 24 Circuits
2.54mm Pitch 14563251
SL Insulation
Displacement
Connector Assembly,
Female, Single Row,
Version G, Positive
Lock, Wire Size 26
AWG, 0.76 μ m Gold
(Au), 25 Circuits
2.54mm Pitch 14563252
SL Insulation
Displacement
Connector Assembly,
Female, Single
Row, Version A,
Non-polarized,

Wire Size 28 AWG,
0.76µm Gold (Au),
25 Circuits
2.54mm Pitch 14563253
SL Insulation
Displacement
Connector Assembly,
Female, Single Row,
Version G, Positive
Lock, Wire Size 28
AWG, 0.76µm Gold
(Au), 25 Circuits
2.54mm Pitch 14563254
SL Insulation
Displacement
Connector Assembly,
Female, Single Row,
Version D, Back
Ribs, Wire Size 24
AWG, 0.38µm Gold
(Au), 25 Circuits
2.54mm Pitch 14563257
SL Insulation
Displacement
Connector Assembly,
Female, Single Row,
Version D, Back
Ribs, Wire Size 26
AWG, 0.38µm Gold
(Au), 25 Circuits
2.54mm Pitch 14563259
SL Insulation
Displacement
Connector Assembly,
Female, Single Row,
Version D, Back
Ribs, Wire Size 28
AWG, 0.38µm Gold
(Au), 25 Circuits
2.54mm Pitch 14564020
SL Insulation
Displacement
Connector Assembly,
Female, Single Row,
Version C, Front
Ribs, Wire Size 24
AWG, 0.76µm Gold
(Au), 2 Circuits
2.54mm Pitch 14564021
SL Insulation
Displacement
Connector Assembly,
Female, Single Row,
Version D, Back
Ribs, Wire Size 24
AWG, 0.76µm Gold
(Au), 2 Circuits
2.54mm Pitch 14564022
SL Insulation
Displacement
Connector Assembly,
Female, Single Row,
Version C, Front
Ribs, Wire Size 26

AWG, 0.76µm Gold
(Au), 2 Circuits
2.54mm Pitch 14564023
SL Insulation
Displacement
Connector Assembly,
Female, Single Row,
Version D, Back
Ribs, Wire Size 26
AWG, 0.76µm Gold
(Au), 2 Circuits
2.54mm Pitch 14564024
SL Insulation
Displacement
Connector Assembly,
Female, Single Row,
Version C, Front
Ribs, Wire Size 28
AWG, 0.76µm Gold
(Au), 2 Circuits
2.54mm Pitch 14564025
SL Insulation
Displacement
Connector Assembly,
Female, Single Row,
Version D, Back
Ribs, Wire Size 28
AWG, 0.76µm Gold
(Au), 2 Circuits
2.54mm Pitch 14564030
SL Insulation
Displacement
Connector Assembly,
Female, Single Row,
Version C, Front
Ribs, Wire Size 24
AWG, 0.76µm Gold
(Au), 3 Circuits
2.54mm Pitch 14564031
SL Insulation
Displacement
Connector Assembly,
Female, Single Row,
Version D, Back
Ribs, Wire Size 24
AWG, 0.76µm Gold
(Au), 3 Circuits
2.54mm Pitch 14564032
SL Insulation
Displacement
Connector Assembly,
Female, Single Row,
Version C, Front
Ribs, Wire Size 26
AWG, 0.76µm Gold
(Au), 3 Circuits
2.54mm Pitch 14564033
SL Insulation
Displacement
Connector Assembly,
Female, Single Row,
Version D, Back
Ribs, Wire Size 26
AWG, 0.76µm Gold
(Au), 3 Circuits

2.54mm Pitch 14564034
SL Insulation
Displacement
Connector Assembly,
Female, Single Row,
Version C, Front
Ribs, Wire Size 28
AWG, 0.76µm Gold
(Au), 3 Circuits

2.54mm Pitch 14564035
SL Insulation
Displacement
Connector Assembly,
Female, Single Row,
Version D, Back
Ribs, Wire Size 28
AWG, 0.76µm Gold
(Au), 3 Circuits

2.54mm Pitch 14564040
SL Insulation
Displacement
Connector Assembly,
Female, Single Row,
Version C, Front
Ribs, Wire Size 24
AWG, 0.76µm Gold
(Au), 4 Circuits

2.54mm Pitch 14564041
SL Insulation
Displacement
Connector Assembly,
Female, Single Row,
Version D, Back
Ribs, Wire Size 24
AWG, 0.76µm Gold
(Au), 4 Circuits

2.54mm Pitch 14564042
SL Insulation
Displacement
Connector Assembly,
Female, Single Row,
Version C, Front
Ribs, Wire Size 26
AWG, 0.76µm Gold
(Au), 4 Circuits

2.54mm Pitch 14564043
SL Insulation
Displacement
Connector Assembly,
Female, Single Row,
Version D, Back
Ribs, Wire Size 26
AWG, 0.76µm Gold
(Au), 4 Circuits

2.54mm Pitch 14564044
SL Insulation
Displacement
Connector Assembly,
Female, Single Row,
Version C, Front
Ribs, Wire Size 28
AWG, 0.76µm Gold
(Au), 4 Circuits

2.54mm Pitch 14564045
SL Insulation

Displacement
Connector Assembly,
Female, Single Row,
Version D, Back
Ribs, Wire Size 28
AWG, 0.76µm Gold
(Au), 4 Circuits
2.54mm Pitch 14564050
SL Insulation

Displacement
Connector Assembly,
Female, Single Row,
Version C, Front
Ribs, Wire Size 24
AWG, 0.76µm Gold
(Au), 5 Circuits
2.54mm Pitch 14564051
SL Insulation

Displacement
Connector Assembly,
Female, Single Row,
Version D, Back
Ribs, Wire Size 24
AWG, 0.76µm Gold
(Au), 5 Circuits
2.54mm Pitch 14564052
SL Insulation

Displacement
Connector Assembly,
Female, Single Row,
Version C, Front
Ribs, Wire Size 26
AWG, 0.76µm Gold
(Au), 5 Circuits
2.54mm Pitch 14564053
SL Insulation

Displacement
Connector Assembly,
Female, Single Row,
Version D, Back
Ribs, Wire Size 26
AWG, 0.76µm Gold
(Au), 5 Circuits
2.54mm Pitch 14564054
SL Insulation

Displacement
Connector Assembly,
Female, Single Row,
Version C, Front
Ribs, Wire Size 28
AWG, 0.76µm Gold
(Au), 5 Circuits
2.54mm Pitch 14564055
SL Insulation

Displacement
Connector Assembly,
Female, Single Row,
Version D, Back
Ribs, Wire Size 28
AWG, 0.76µm Gold
(Au), 5 Circuits
2.54mm Pitch 14564060
SL Insulation

Displacement
Connector Assembly,

Female, Single Row,
Version C, Front
Ribs, Wire Size 24
AWG, 0.76µm Gold
(Au), 6 Circuits
2.54mm Pitch 14564061
SL Insulation
Displacement
Connector Assembly,
Female, Single Row,
Version D, Back
Ribs, Wire Size 24
AWG, 0.76µm Gold
(Au), 6 Circuits
2.54mm Pitch 14564062
SL Insulation
Displacement
Connector Assembly,
Female, Single Row,
Version C, Front
Ribs, Wire Size 26
AWG, 0.76µm Gold
(Au), 6 Circuits
2.54mm Pitch 14564063
SL Insulation
Displacement
Connector Assembly,
Female, Single Row,
Version D, Back
Ribs, Wire Size 26
AWG, 0.76µm Gold
(Au), 6 Circuits
2.54mm Pitch 14564064
SL Insulation
Displacement
Connector Assembly,
Female, Single Row,
Version C, Front
Ribs, Wire Size 28
AWG, 0.76µm Gold
(Au), 6 Circuits
2.54mm Pitch 14564065
SL Insulation
Displacement
Connector Assembly,
Female, Single Row,
Version D, Back
Ribs, Wire Size 28
AWG, 0.76µm Gold
(Au), 6 Circuits
2.54mm Pitch 14564070
SL Insulation
Displacement
Connector Assembly,
Female, Single Row,
Version C, Front
Ribs, Wire Size 24
AWG, 0.76µm Gold
(Au), 7 Circuits
2.54mm Pitch 14564071
SL Insulation
Displacement
Connector Assembly,
Female, Single Row,
Version D, Back

Ribs, Wire Size 24
AWG, 0.76µm Gold
(Au), 7 Circuits
2.54mm Pitch 14564072
SL Insulation
Displacement
Connector Assembly,
Female, Single Row,
Version C, Front
Ribs, Wire Size 26
AWG, 0.76µm Gold
(Au), 7 Circuits
2.54mm Pitch 14564073
SL Insulation
Displacement
Connector Assembly,
Female, Single Row,
Version D, Back
Ribs, Wire Size 26
AWG, 0.76µm Gold
(Au), 7 Circuits
2.54mm Pitch 14564074
SL Insulation
Displacement
Connector Assembly,
Female, Single Row,
Version C, Front
Ribs, Wire Size 28
AWG, 0.76µm Gold
(Au), 7 Circuits
2.54mm Pitch 14564075
SL Insulation
Displacement
Connector Assembly,
Female, Single Row,
Version D, Back
Ribs, Wire Size 28
AWG, 0.76µm Gold
(Au), 7 Circuits
2.54mm Pitch 14564080
SL Insulation
Displacement
Connector Assembly,
Female, Single Row,
Version C, Front
Ribs, Wire Size 24
AWG, 0.76µm Gold
(Au), 8 Circuits
2.54mm Pitch 14564081
SL Insulation
Displacement
Connector Assembly,
Female, Single Row,
Version D, Back
Ribs, Wire Size 24
AWG, 0.76µm Gold
(Au), 8 Circuits
2.54mm Pitch 14564082
SL Insulation
Displacement
Connector Assembly,
Female, Single Row,
Version C, Front
Ribs, Wire Size 26

AWG, 0.76µm Gold
(Au), 8 Circuits
2.54mm Pitch 14564083
SL Insulation
Displacement
Connector Assembly,
Female, Single Row,
Version D, Back
Ribs, Wire Size 26
AWG, 0.76µm Gold
(Au), 8 Circuits
2.54mm Pitch 14564084
SL Insulation
Displacement
Connector Assembly,
Female, Single Row,
Version C, Front
Ribs, Wire Size 28
AWG, 0.76µm Gold
(Au), 8 Circuits
2.54mm Pitch 14564085
SL Insulation
Displacement
Connector Assembly,
Female, Single Row,
Version D, Back
Ribs, Wire Size 28
AWG, 0.76µm Gold
(Au), 8 Circuits
2.54mm Pitch 14564090
SL Insulation
Displacement
Connector Assembly,
Female, Single Row,
Version C, Front
Ribs, Wire Size 24
AWG, 0.76µm Gold
(Au), 9 Circuits
2.54mm Pitch 14564091
SL Insulation
Displacement
Connector Assembly,
Female, Single Row,
Version D, Back
Ribs, Wire Size 24
AWG, 0.76µm Gold
(Au), 9 Circuits
2.54mm Pitch 14564092
SL Insulation
Displacement
Connector Assembly,
Female, Single Row,
Version C, Front
Ribs, Wire Size 26
AWG, 0.76µm Gold
(Au), 9 Circuits
2.54mm Pitch 14564093
SL Insulation
Displacement
Connector Assembly,
Female, Single Row,
Version D, Back
Ribs, Wire Size 26
AWG, 0.76µm Gold
(Au), 9 Circuits

2.54mm Pitch 14564094
SL Insulation
Displacement
Connector Assembly,
Female, Single Row,
Version C, Front
Ribs, Wire Size 28
AWG, 0.76µm Gold
(Au), 9 Circuits

2.54mm Pitch 14564095
SL Insulation
Displacement
Connector Assembly,
Female, Single Row,
Version D, Back
Ribs, Wire Size 28
AWG, 0.76µm Gold
(Au), 9 Circuits

2.54mm Pitch 14564100
SL Insulation
Displacement
Connector Assembly,
Female, Single Row,
Version C, Front
Ribs, Wire Size 24
AWG, 0.76µm Gold
(Au), 10 Circuits

2.54mm Pitch 14564101
SL Insulation
Displacement
Connector Assembly,
Female, Single Row,
Version D, Back
Ribs, Wire Size 24
AWG, 0.76µm Gold
(Au), 10 Circuits

2.54mm Pitch 14564102
SL Insulation
Displacement
Connector Assembly,
Female, Single Row,
Version C, Front
Ribs, Wire Size 26
AWG, 0.76µm Gold
(Au), 10 Circuits

2.54mm Pitch 14564103
SL Insulation
Displacement
Connector Assembly,
Female, Single Row,
Version D, Back
Ribs, Wire Size 26
AWG, 0.76µm Gold
(Au), 10 Circuits

2.54mm Pitch 14564104
SL Insulation
Displacement
Connector Assembly,
Female, Single Row,
Version C, Front
Ribs, Wire Size 28
AWG, 0.76µm Gold
(Au), 10 Circuits

2.54mm Pitch 14564105
SL Insulation

Displacement
Connector Assembly,
Female, Single Row,
Version D, Back
Ribs, Wire Size 28
AWG, 0.76µm Gold
(Au), 10 Circuits
2.54mm Pitch 14564110
SL Insulation

Displacement
Connector Assembly,
Female, Single Row,
Version C, Front
Ribs, Wire Size 24
AWG, 0.76µm Gold
(Au), 11 Circuits
2.54mm Pitch 14564111
SL Insulation

Displacement
Connector Assembly,
Female, Single Row,
Version D, Back
Ribs, Wire Size 24
AWG, 0.76µm Gold
(Au), 11 Circuits
2.54mm Pitch 14564112
SL Insulation

Displacement
Connector Assembly,
Female, Single Row,
Version C, Front
Ribs, Wire Size 26
AWG, 0.76µm Gold
(Au), 11 Circuits
2.54mm Pitch 14564113
SL Insulation

Displacement
Connector Assembly,
Female, Single Row,
Version D, Back
Ribs, Wire Size 26
AWG, 0.76µm Gold
(Au), 11 Circuits
2.54mm Pitch 14564114
SL Insulation

Displacement
Connector Assembly,
Female, Single Row,
Version C, Front
Ribs, Wire Size 28
AWG, 0.76µm Gold
(Au), 11 Circuits
2.54mm Pitch 14564115
SL Insulation

Displacement
Connector Assembly,
Female, Single Row,
Version D, Back
Ribs, Wire Size 28
AWG, 0.76µm Gold
(Au), 11 Circuits
2.54mm Pitch 14564120
SL Insulation

Displacement
Connector Assembly,

Female, Single Row,
Version C, Front
Ribs, Wire Size 24
AWG, 0.76µm Gold
(Au), 12 Circuits
2.54mm Pitch 14564121
SL Insulation
Displacement
Connector Assembly,
Female, Single Row,
Version D, Back
Ribs, Wire Size 24
AWG, 0.76µm Gold
(Au), 12 Circuits
2.54mm Pitch 14564122
SL Insulation
Displacement
Connector Assembly,
Female, Single Row,
Version C, Front
Ribs, Wire Size 26
AWG, 0.76µm Gold
(Au), 12 Circuits
2.54mm Pitch 14564123
SL Insulation
Displacement
Connector Assembly,
Female, Single Row,
Version D, Back
Ribs, Wire Size 26
AWG, 0.76µm Gold
(Au), 12 Circuits
2.54mm Pitch 14564124
SL Insulation
Displacement
Connector Assembly,
Female, Single Row,
Version C, Front
Ribs, Wire Size 28
AWG, 0.76µm Gold
(Au), 12 Circuits
2.54mm Pitch 14564125
SL Insulation
Displacement
Connector Assembly,
Female, Single Row,
Version D, Back
Ribs, Wire Size 28
AWG, 0.76µm Gold
(Au), 12 Circuits
2.54mm Pitch 14564130
SL Insulation
Displacement
Connector Assembly,
Female, Single Row,
Version C, Front
Ribs, Wire Size 24
AWG, 0.76µm Gold
(Au), 13 Circuits
2.54mm Pitch 14564131
SL Insulation
Displacement
Connector Assembly,
Female, Single Row,
Version D, Back

Ribs, Wire Size 24
AWG, 0.76µm Gold
(Au), 13 Circuits
2.54mm Pitch 14564132
SL Insulation
Displacement
Connector Assembly,
Female, Single Row,
Version C, Front
Ribs, Wire Size 26
AWG, 0.76µm Gold
(Au), 13 Circuits
2.54mm Pitch 14564133
SL Insulation
Displacement
Connector Assembly,
Female, Single Row,
Version D, Back
Ribs, Wire Size 26
AWG, 0.76µm Gold
(Au), 13 Circuits
2.54mm Pitch 14564134
SL Insulation
Displacement
Connector Assembly,
Female, Single Row,
Version C, Front
Ribs, Wire Size 28
AWG, 0.76µm Gold
(Au), 13 Circuits
2.54mm Pitch 14564135
SL Insulation
Displacement
Connector Assembly,
Female, Single Row,
Version D, Back
Ribs, Wire Size 28
AWG, 0.76µm Gold
(Au), 13 Circuits
2.54mm Pitch 14564140
SL Insulation
Displacement
Connector Assembly,
Female, Single Row,
Version C, Front
Ribs, Wire Size 24
AWG, 0.76µm Gold
(Au), 14 Circuits

This document was generated on 10/07/2021

PLEASE CHECK WWW.MOLEX.COM FOR LATEST PART INFORMATION