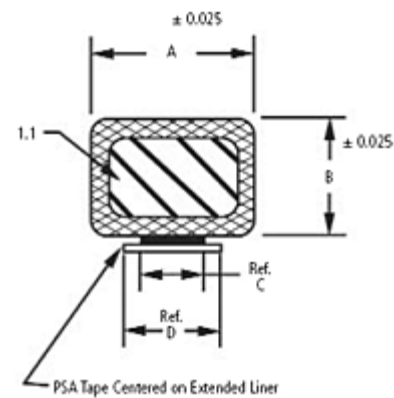


Laird TechnologiesWeb site: www.LairdTech.com

All Categories > EMI Solutions > EMI Shielding & Gaskets > Wire Mesh & Knitted Gaskets > Clips, Washer, Tape etc. > Ultrasoft Knit EMI Gaskets > Item # 8417-3055-62

Item # 8417-3055-62, Ultrasoft Knit EMI GasketsList Price **QUOTE**
[Stock Locator](#)

Laird Technologies UltraSoft Knit EMI gasket material consists of a metalized nylon yarn knit over a flame retardant UL 94 HF-1 low density foam polyester core material. The close-knit stitch of the metalized nylon provides a highly effective EMI shield, as well as a smooth, soft surface that will not abrade plated plastic interfaces.


[larger image](#)

[larger image](#)
Specifications

Dimension A	0.375 inches
Dimension A	9.5 mm
Dimension B	0.187 inches
Dimension B	4.7 mm
Dimension C	0.150 inches
Dimension C	3.8 mm
Dimension D	0.336 inches
Dimension D	8.5 mm
Length	7 ft.
Length	2.1 M
EMI Shield Material	Silver plated nylon

Foam Core Material	Low density UL 94 HF-1 approved polyester
Pressure Sensitive Adhesive Material	Acrylic

[Print](#)

[Back](#)