

322



# ATE 系列无线测温传感器

## ATE series Wireless Temperature Sensor

安装说明 V1.7

Installation Instruction V1.7

销售电话：021-69151198 / 187 - 0211 - 2873  
邮箱：3008034352@qq.com

# 1 安装指南

## 1 Installation Guide

### 1.1 产品概述

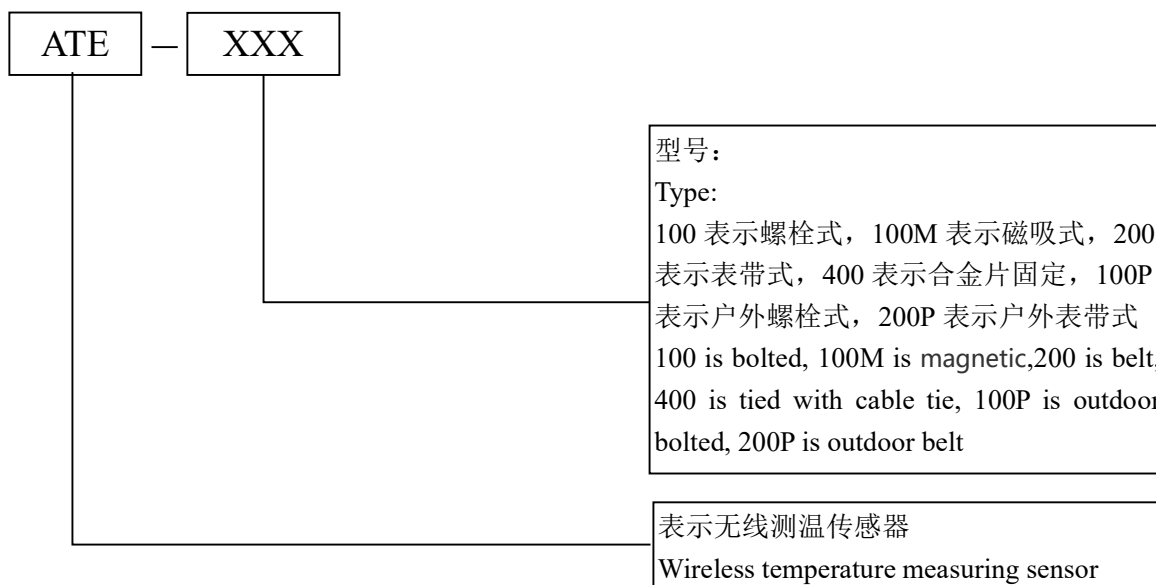
#### 1.1 Product Introduction

ATE 系列无线测温传感器根据 《NB/T 42086-2016 无线测温装置技术要求》 开发，可用于 3~35kV 户内开关柜，包括中置柜、手车柜、固定柜、环网柜等多种开关柜；也可用于 0.4kV 低压柜，包括固定柜，抽屉柜等。无线测温传感器可安装于柜内任何发热点上，利用无线数据传输技术实时发送监测数据，再通过接收装置将温度数据传输到显示装置或者远程监控系统。

ATE series wireless temperature measuring sensor has been developed in compliance with *Specification for Wireless Temperature Measuring equipment, NB/T 42086-2016*. It is suitable for 3-35kV indoor switchgears, including built-in switchgears, handcart switchgears, fixed switchgears and loop-net switchgears. It is also suitable for 0.4kV low-voltage switchgears such as fixed switchgears and drawer switchgears. The wireless temperature sensors can be installed at any heating point in switchgears, the device utilizes the wireless data transmission technology for real-time transmission of monitored temperature data. In addition, it can be transmitted to display device or remote intelligent monitoring system.

### 1.2 型号说明

#### 1.2 Type Introduction



## 1.3 技术指标

## 1.3 Technical Features

| 项目<br>Items  |                                | 指标<br>Features   |
|--|--------------------------------|--|
| 环境要求<br>Environment  | 工作温度<br>Temperature            | -40℃~125℃  |
|  | 相对湿度<br>Humidity               | ≤95%   |
|  | 大气压力<br>atmospheric pressure   | 86kPa~106kPa   |
| ATE100M/100/200<br>有源无线温度传感器<br>ATE100M/100/200<br>Active wireless<br>temperature sensor | 无线频率<br>Wireless frequency     | 470MHz   |
|  | 通讯距离<br>Communication distance | 空旷 150m<br>150m in open area                           |
|  | 采样频率<br>Sampling frequency     | 25s  |
|  | 发射频率<br>Transmitting frequency | 25s-5min   |
|  | 工作电源<br>Power source           | 电池<br>Battery  |
|  | 安装方式<br>Installation           | 磁吸式/螺栓式/表带式<br>Magnetic / bolted / Belt                |
|  | 测温范围<br>Range of temperature   | -50℃~+125℃   |
|  | 精度<br>Precision                | ±1℃  |
|  | 应用范围<br>Application            | 高低压柜内电气接头<br>Joints in high or low voltage switchgears |
|  | 电池寿命<br>Battery life           | ≥5年<br>≥5 years  |
| 400 无源无线温度<br>传感器<br>400 Passive<br>wireless<br>temperature sensor                       | 无线频率<br>Wireless frequency     | 470MHz   |
|  | 通讯距离<br>Communication distance | 空旷 150m<br>150m in open area                           |
|  | 采样频率<br>Sampling frequency     | 15s  |
|  | 发射频率<br>Transmission frequency | 15s  |
|  | 工作电源<br>Power source           | CT 感应取电, 启动电流≥5A<br>CT-powered, starting current≥5A    |
|  | 安装方式                           | 合金片固定  |

|   |                                |  |
|---|--------------------------------|--|
|   | Installation                   | alloy chip fixing                                      |
|   | 传感器探头<br>Sensor probe          | 合金底座<br>alloy bottom                                   |
|   | 测温范围<br>Range of temperature   | -50℃~125℃  |
|   | 精度<br>Precision                | ±1℃  |
|   | 应用范围<br>Application            | 高低压柜内电气接头<br>Joints in high or low voltage switchgears |
| ATE100P/200P 户外无线温度传感器<br>ATE100P/200P<br>Outdoor wireless temperature sensor | 无线频率<br>Wireless frequency     | 470MHz   |
|   | 通讯距离<br>Communication distance | 空旷 150m<br>150m in open area                           |
|   | 采样频率<br>Sampling frequency     | 25s  |
|   | 发射频率<br>Transmitting frequency | 25s-5min   |
|   | 工作电源<br>Power source           | 电池<br>Battery  |
|   | 安装方式<br>Installation           | 螺栓式/表带式<br>bolted /Belt                                |
|   | 测温范围<br>Range of temperature   | -50℃~+150℃   |
|   | 精度<br>Precision                | ±0.5℃  |
|   | 应用范围<br>Application            | 电气接头<br>Voltage switchgears                            |
|   | 电池寿命<br>Battery life           | ≥5年<br>≥5 years  |
|   | 防护等级<br>Protection level       | IP68   |

## 1.4 产品安装

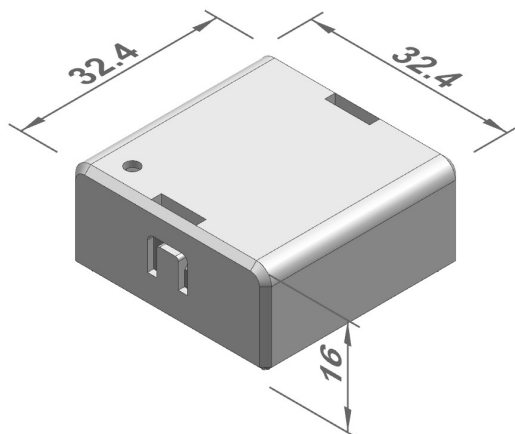
### 1.4 Product Installation

无线温度传感器共有多种型号，分别对应磁吸固定、螺栓固定、表带固定、合金片固定等安装方式。

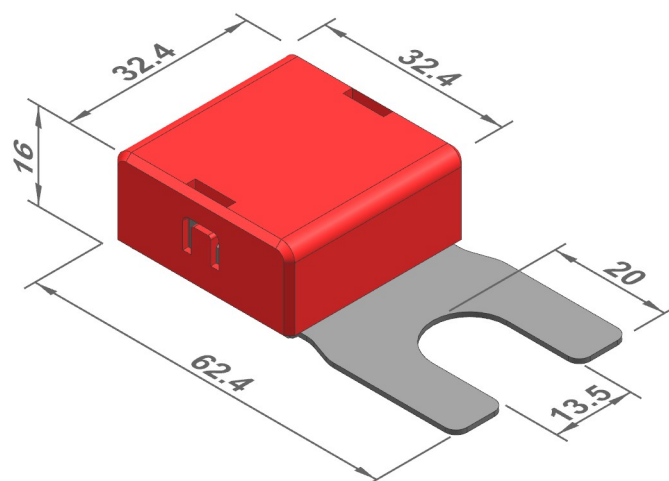
There are several types of wireless temperature sensors and mounting methods correspondingly, i.e. Magnetic , bolted , belt and alloy chip fixing.

### 1.4.1 外形尺寸

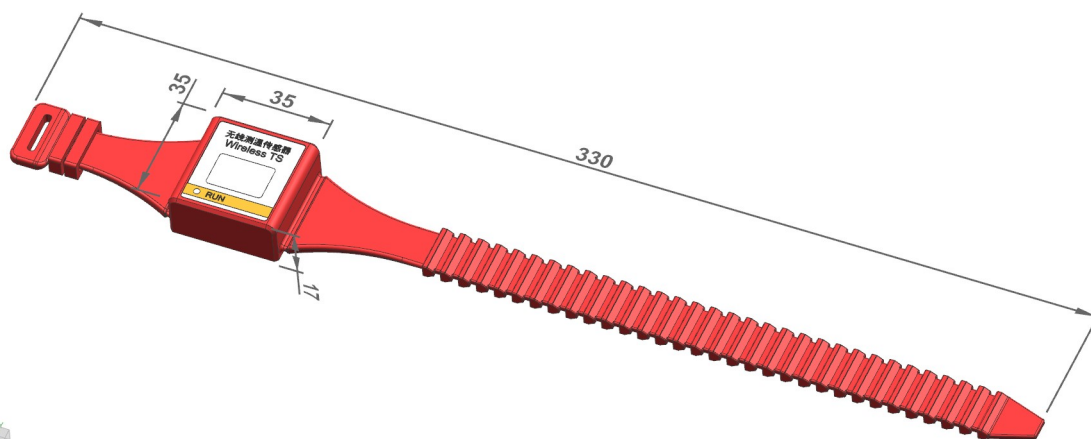
#### 1.4.1 Shape Size



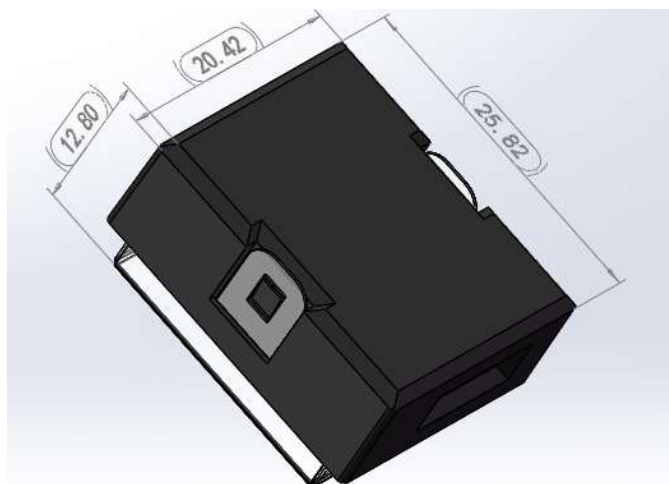
ATE100M



ATE100/ATE100P



ATE200/ATE200P



ATE400

1.4.2 标签说明

1.4.2 Label Instructions

1.4.2.1 ATE 传感器搭配 ASD/ARTM-Pn 装置

1.4.2.1 ATE sensor with ASD/ARTM-Pn device

型号: ASD320-T-H-WH1-P3-C-200

技术参数: 10KV

辅助电源: AC/DC 220V

生产日期: 2018/09/27

使用说明

\*51809190240001\*

**Acrel** 安科瑞电气 [www.acrel.cn](http://www.acrel.cn)

ASD320

型号: ARTM-P6

辅助电源: AC/DC 220V

生产日期: 2018/09/27

\*51809190240001\*

**Acrel** 安科瑞电气 [www.acrel.cn](http://www.acrel.cn)

ARTM-Pn

**Acrel**

传感器ATE100M

编码: 01A

组号: 1

\*51809190240003\*

ATE100M

**Acrel**

传感器ATE100

编码: 01A

组号: 1

\*51809190240003\*

ATE100

**Acrel**

传感器ATE200

编码: 01A

组号: 1

\*51809190240003\*

ATE200

**Acrel**

传感器ATE400

编码: 01A

组号: 1

\*51809190240003\*

ATE400

**Acrel**

传感器ATE100P

编码: 01A

组号: 1

\*51809190240003\*

ATE100P

**Acrel**

传感器ATE200P

编码: 01A

组号: 1

\*51809190240003\*

ATE200P

如果安装 ATE100M/ATE100/ATE200/ATE400/ATE100P/ATE200P, 其组号应与显示装置标签条

形码最后四位编号一致，即“组号 1”对应“\*51809190240001\*”，安装位置依照标签文字安装，“编码：1A”为安装第一个 A 相，“编码：1B”为安装第一个 B 相，以此类推。

If the sensor is ATE100M/ATE100/ATE200/ATE400/ATE100P/ATE200P, the number behind “组号:” should be same as number underlined in “\*51809190240001\*”, the sequence of installation is base on the label, “编码：1A” is first one on the phase A, “编码：1B” is first one on the phase B, and so on.

**注意：出厂时包装箱内无线温度传感器与显示装置已配对，不可以与其他显示装置或无线温度传感器混用，无线温度传感器按照标签安装。**

**Notice: wireless temperature sensors and display device in the package have been matched before delivery. Do not use them with other display device or other wireless temperature sensors together. Please installing them with label on the sensor.**

#### 1.4.2.2 ATE 传感器搭配 ATC600/ATC450-C 收发器

#### 1.4.2.2 ATE sensor with ATC600/ATC450-C coordinator



ATC600



ATC450-C



ATE100M



ATE100



ATE200



ATE400



ATE100P



ATE200P

如图所示，如果安装 ATE100M/ATE100/ATE200/ATE400/ATE100P/ATE200P，其组号应与 ATC450-C/ATC600 的组号一致，安装位置依照标签文字安装，“编码：001”建议安装在第一个柜子的第一个测温点，再依次按照测温点顺序安装。

According to the above pictures, If the sensor is ATE100M/100/200/400/100P/200P, the group number of ATE must be same with the group number of ATC450-C/ATC600 and the installation order is base on the label. The code of each sensor is used to distinguish each sensor from same group. “code: 001” is recommended to be installed on the first temperature measuring point of the first cabinet, and then installed other sensors in this order.

**若有特殊情况，请联系相关工程师进行沟通解决。**

**In case of any special situation, please contact the relevant engineers for communication.**

### 1.4.3 安装方法

#### 1.4.3 Installation Method

##### 1.4.3.1 ATE100M 安装方法

##### 1.4.3.1 ATE100M Installation Method

ATE100M 磁吸式无线测温传感器适用于铁质的电气节点或设备表面。

The magnetic wireless sensor ATE100M is suitable for iron electrical nodes or equipment surfaces.

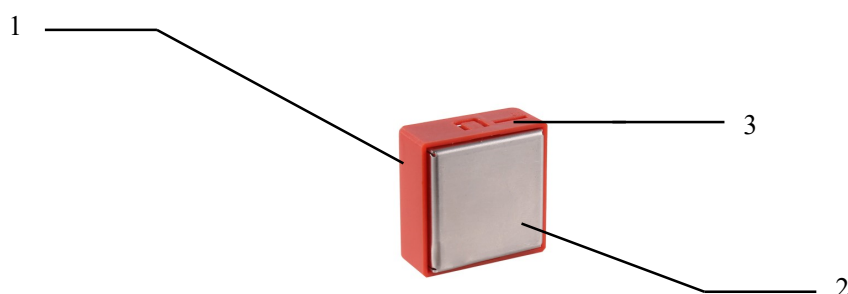
磁吸式无线温度传感器 ATE100M 结构说明：

Structure introduction of ATE100M:

1 —— 无线温度传感器主体 The core of wireless temperature sensor ATE100M

2 —— 测温部位 Thermo-sensitive part

3 —— 电池开关 battery switch



直接吸附在铁质测温点处，安装前打开电池开关，电源指示灯闪烁两次。安装实例见下图：

Adsorbed directly at the iron temperature measuring point, open the battery switch before installation, the power indicator flashes twice. The installation examples see images below.

##### 1.4.3.2 ATE100 安装方法

##### 1.4.3.2 ATE100 Installation Method

ATE100 螺栓式无线测温传感器适用于电缆与母排搭接处，电缆与隔离刀闸搭接处。

The bolted type wireless sensor ATE100 is suitable for use at joints between cable and bus bar and joints between cable and disconnecter.

ATE100 螺栓式无线温度传感器结构说明：

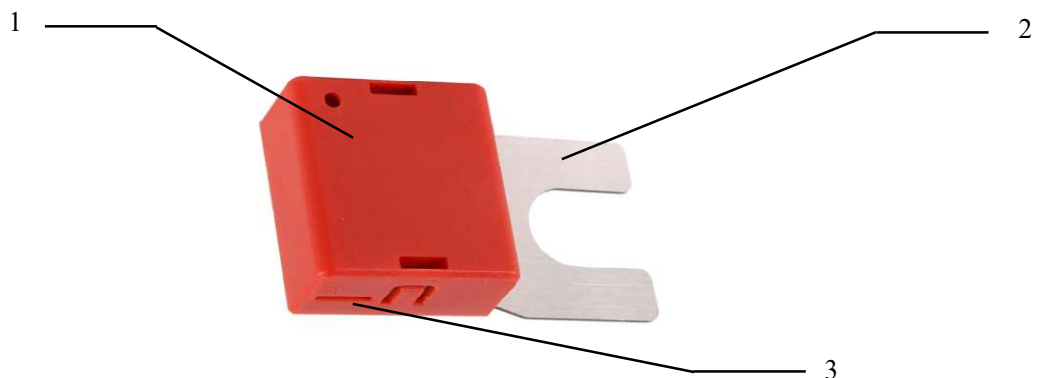
ATE100 structure introduction:

1 —— 无线温度传感器主体 The core of wireless temperature sensor ATE100

2 —— 测温部位 Thermo-sensitive part

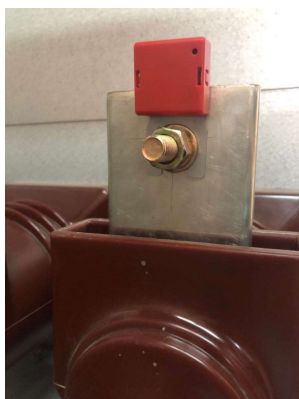
3 —— 电池开关 battery switch





拆下安装位置搭接处的螺丝，将传感器固定在安装位置，对准合金底板的开孔，然后旋紧螺丝固定，安装前打开电池开关，电源指示灯闪烁两次。安装实例见下图：

Remove the screw from the joints, and fixing the sensor on the position with the hole on the alloy baseplate, then tighten the screw, open the battery switch before installation, the power indicator flashes twice. The installation examples see images below.



#### 1.4.3.3 ATE200 安装方法

#### 1.4.3.3 ATE200 Installation Method

ATE200 表带式无线测温传感器适用于断路器动触头、静触头、电缆接头、母排等处。

The strap-secured type called ATE200 is suitable for use at moving contacts and fixed contacts of breaker, cable joints and bus bar.

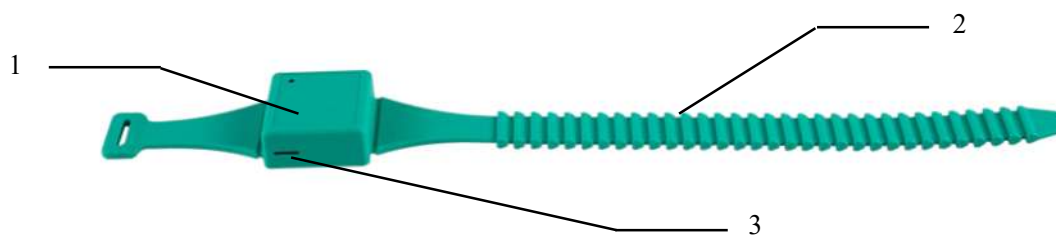
表带式无线温度传感器结构说明：

ATE200 structure introduction:

1 —— 无线温度传感器主体，测温探头在背面 The core of wireless temperature sensor ATE200, temperature measuring probe is on the other side

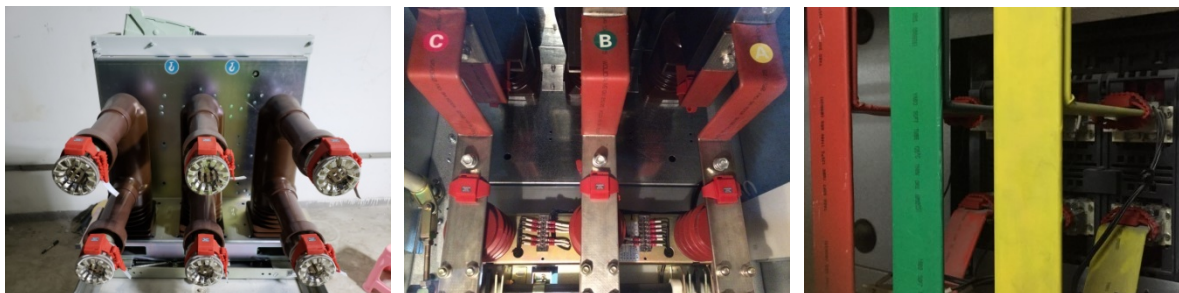
2 —— 表带及锁扣 strap and hasp

3 —— 电池开关 battery switch



将传感器主体固定在安装位置，将表带绕过安装母排或者触头穿过表带，表带头收紧，最后将表带尾用锁扣锁紧。表带过长可以剪掉多余部分，表带过短可以联系我司增订。安装前打开电池开关，电源指示灯闪烁两次。安装实例见下图：

Fixing the body of sensor on the position, then strapping it on the bus bar or breaker contact and frapping it through the hole on the strap, fixing the strap by hasp. Clipping the strap if it is too long when finished, if it is too short, contacting us for strap parts before installation. Open the battery switch before installation, the power indicator flashes twice. The installation examples see images below.



#### 1.4.3.4 ATE400 安装方法

#### 1.4.3.4 ATE400 Installation Method

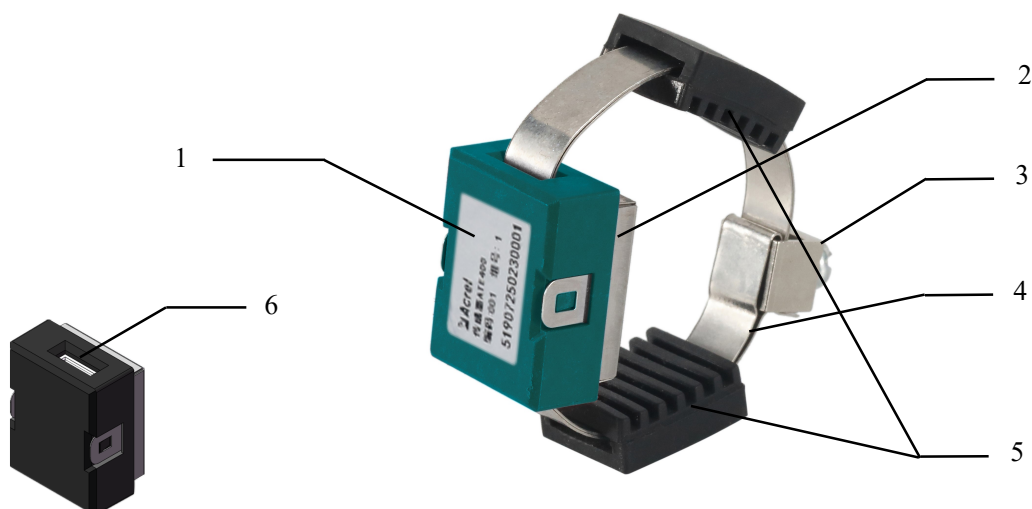
ATE400 迷你型无线温度传感器适用于动触头，母排，电缆，母排、电缆搭接处等多种场合。

The mini type called ATE400 is suitable for using at moving contacts, bus bars, cables and joints between bus bar and cable.

迷你型无源无线温度传感器结构说明：

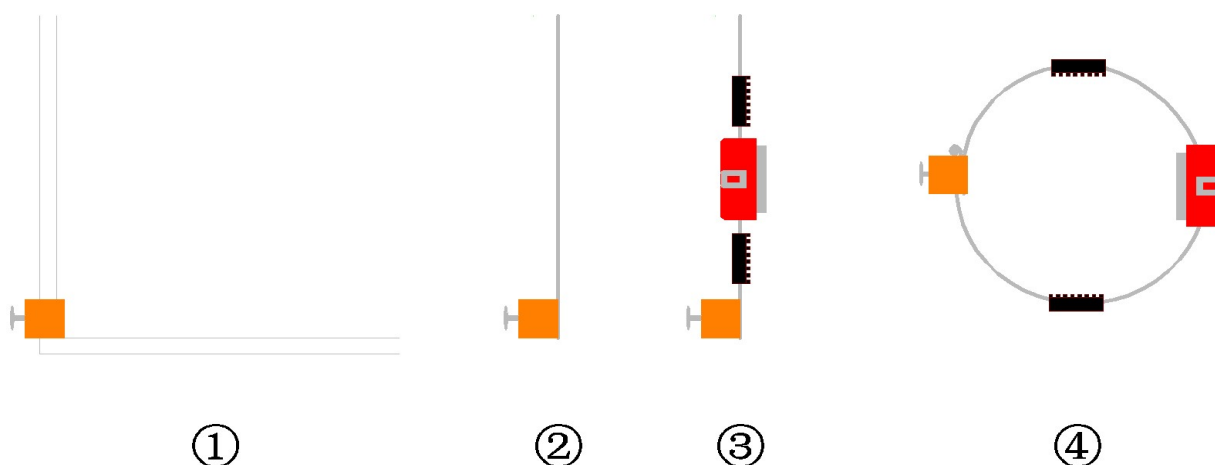
Mini type passive temperature sensor structure introduction:

- 1 —— 温度传感器主体 The core of wireless temperature sensor ATE400
- 2 —— 合金底座，与温度探头接触 alloy bottom, touched with temperature probe
- 3 —— 锁扣，用于固定合金片 metal hasp, for fixing alloy chip
- 4 —— 取电合金片，用于感应取电 alloy chip, for CT-powered
- 5 —— 硅胶垫片，用于支撑合金片 silicone gasket, used to support the alloy chip
- 6 —— 合金片安装孔，用于安装合金片 alloy chip hole, used to install the alloy chip



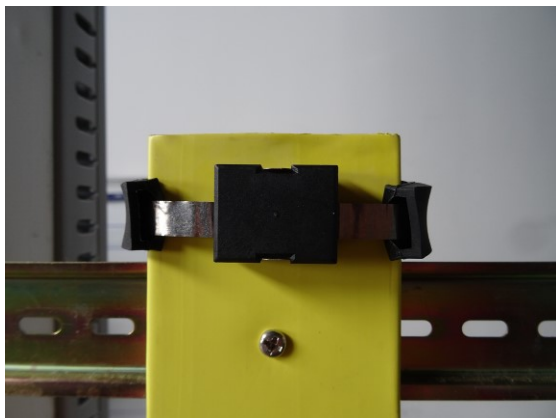
取 2 根合金片穿过锁紧件安装孔，将合金片居中对折后锁紧件固定在折弯处；将对折后的 4 层合金片分别穿过硅胶垫片-传感器主体-硅胶垫片；将整体传感器环绕安装部位一圈后拉紧合金片并旋紧螺丝；合金片多余部分留取适当长度并折叠压紧。合金片安装示意过程如下：

Firstly, take 2 pieces of alloy chips through the mounting hole of metal hasp, meanwhile fold the alloy chips and fix the metal hasp in the middle of alloy chips. Secondly, take the folded alloy chips through one silicone gasket, the core of ATE400 and another silicone gasket in turn. Thirdly, circle the whole alloy chips around the mounting position and tension the alloy chips, then tighten the screw on the metal hasp. Finally, subtract the excess alloy chips. The complete installation process is shown in Figures 1 to 4.



ATE400 无线温度传感器安装实例如下：

The wireless temperature sensor called ATE400 installation examples, see images below.

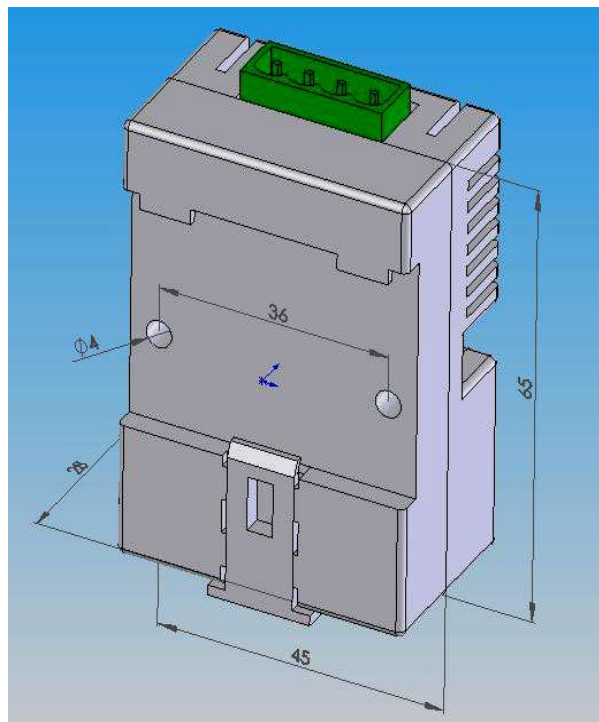
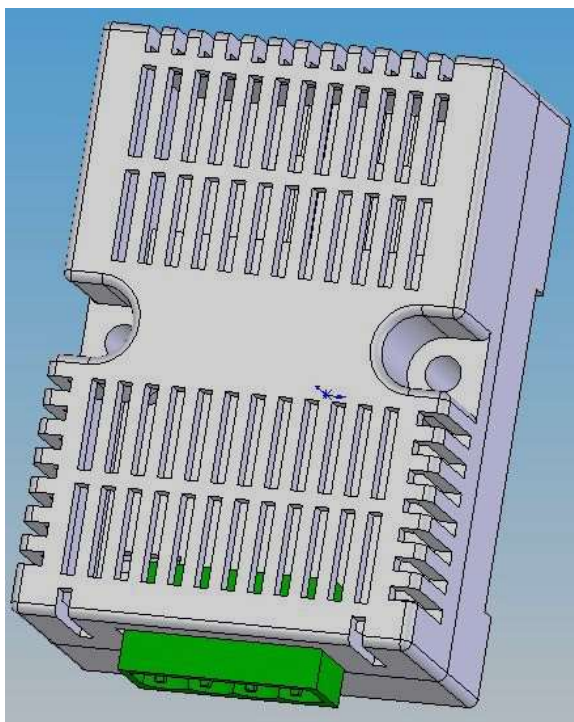


#### 1.4.4 无线温度收发器

#### 1.4.4 Wireless Temperature Coordinator

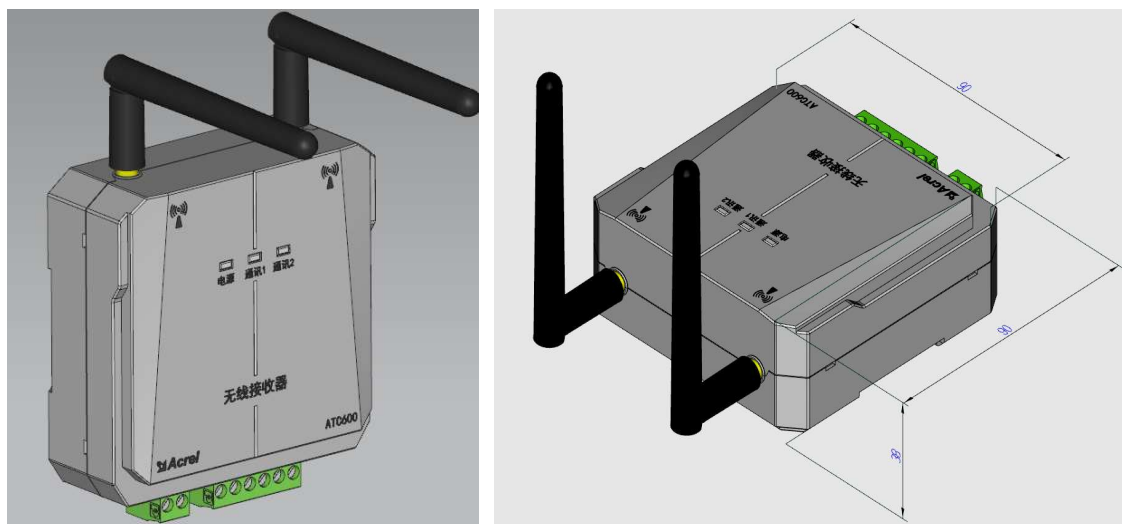
与 ATE 系列无线测温传感器配套使用的无线温度收发器 ATC450-C, 可以采用导轨(DIN35mm) 安装方式, 也可以使用螺栓固定方式。

The wireless temperature coordinator connected with ATE series wireless temperature sensor ATC450-C which can be mounted on rail (DIN35mm) or bolted directly.



与 ATE 系列无线测温传感器配套使用的无线温度收发器 ATC600, 可以采用导轨 (DIN35mm) 安装方式。

The wireless temperature coordinator connected with ATE series wireless temperature sensor ATC600 which can be mounted on rail (DIN35mm).



## 附录

### Appendix

#### 注意事项

#### Precautions

1) 请根据安装位置以及要求选择最合适的无线测温产品。

1) Please select the most suitable wireless temperature measurement product according to the installation location and requirements.

2) 所有传感器的安装，请严格按照说明书的安装说明。若出现因安装错误，导致安装附件不够，需由客户自行承担。

2) For the installation of all sensors, please strictly follow the instructions in the manual. If there is insufficient accessories due to installation errors, the customer shall bear the responsibility.

3) 无线测温下单前，需要有详细的配置方案，并在下单时填写**安科瑞无线测温确认表**！将配置方案及无线测温确认表一同交给内勤。

3) Before placing an order for wireless temperature measurement products, you need to have a detailed configuration plan, and fill in the **Acrel Wireless Temperature Measurement Confirmation Form** ! Then submit the plan and form to the back office.