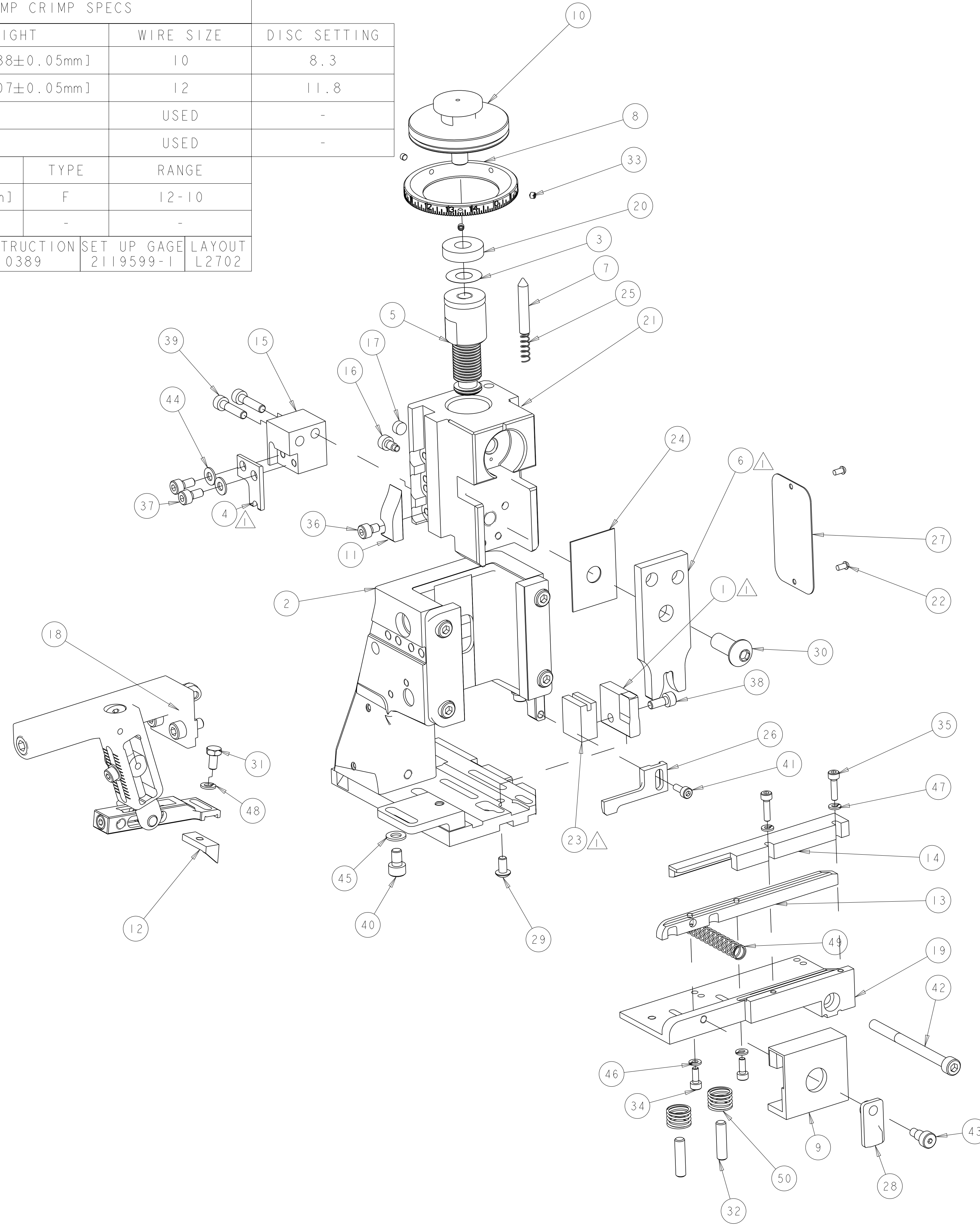


△ RECOMMENDED SPARE PARTS.

SUPERSEDED BY 2151498-1

PART NUMBER	REV	FIRST USED
2151009-1	A	

TERMINAL NAME: TERMINAL, RING				
41356-1	AMP TERMINAL		AMP CRIMP SPECS	
PAD LTR	CRIMP HEIGHT	WIRE SIZE	DISC SETTING	
A	.133±.002 [3.38±0.05mm]	10	8.3	
B	.121±.002 [3.07±0.05mm]	12	11.8	
C	NOT	USED	-	
D	NOT	USED	-	
CRIMP	SIZE	TYPE	RANGE	
WIRE	.210 [5.33mm]	F	12-10	
INSUL	-	-	-	
WIRE STRIP LENGTH	TERM APPL SPEC	FEED	APPL INSTRUCTION	SET UP GAGE
.250	114-2084	.593	408-10389	2119599-1
LAYOUT		L2702		



2	-	1-22284-0	SPRING, COMPRESSION	50
1	-	1-22281-8	SPRING, COMPRESSION	49
1	-	18025-2	WASHER, SPRG LOCK, REG M4	48
2	-	18026-1	WASHER, SPRG LOCK, REG M3	47
2	-	18025-1	WASHER, SPRG LOCK, REG M3	46
1	-	18028-3	WASHER, FLAT, REG M5	45
2	-	18027-2	WASHER, FLAT, REG M4	44
1	-	980371-4	SCR, SKT HD SHLDR 5.0 DIA X 6.0	43
1	-	8-1655316-7	SCR, SKT HD CAP, M5 X 65	42
1	-	4-1655316-4	SCR, SKT HD CAP, M3 X 8.0	41
1	-	9-18023-5	SCR, SKT HD CAP M5 X 8.0	40
2	-	1-994962-6	SCR, SKT HD CAP M4 X 18.0	39
1	-	1-18023-1	SCR, SKT HD CAP M4 X 10.0	38
2	-	1-18023-0	SCR, SKT HD CAP M4 X 8.0	37
1	-	18023-9	SCR, SKT HD CAP M4 X 6.0	36
2	-	18023-5	SCR, SKT HD CAP M3 X 12.0	35
2	-	18023-3	SCR, SKT HD CAP M3 X 8.0	34
3	-	992763-4	SCR, SET, SOC, CONE POINT, M3 x 3.0	33
2	-	2-18032-5	SCR, SET, FLT POINT M5 X 20.0	32
1	-	6-985562-7	SCR, HEX HD CAP, M4 X 8.0	31
1	-	2-18024-5	SCR, BTN SKT HD CAP (M8 X 20.0)	30
1	-	1655785-1	SCR, BTN SKT HD CAP (M4 X 8)	29
1	-	356835-1	LEVER, DRAG RELEASE	28
1	-	2119740-5	TAG, IDENTIFICATION	27
1	-	2119533-1	STRIPPER, SIDE FEED	26
1	-	1-22279-3	SPRING, COMPRESSION	25
1	-	455888-5	SPACER, CRIMPER	24
1	-	2119924-2	SHEAR, LOWER	23
2	-	21017-2	SCREW, DRIVE	22
1	mm	2119370-1	RAM, ATLANTIC STYLE, SIDE FEED	21
1	-	2119644-2	RAM WASHER, PRECISION	20
1	-	1901086-3	PLATE, STRIP GUIDE	19
1	-	2119580-1	MECHANICAL FEED ASSEMBLY	18
1	-	994969-1	MAGNET, RARE EARTH HIGH ENERGY	17
1	-	2119793-1	LIMITER, ADJUSTMENT BOLT	16
1	-	2119830-2	HOLDER, SLUG BLADE	15
1	-	1-679651-9	FRONT STRIP GUIDE	14
1	-	1-2119928-6	FENCE	13
1	-	1338683-1	FEED PAWL	12
1	-	2119652-1	FEED CAM, PRE FEED	11
1	-	2119085-1	FA HEAD, ATLANTIC STYLE	10
1	-	3-690754-6	DRAG, SPECIAL	9
1	-	2119645-1	DISC, NUMBERED FA WIRE ADJUSTMENT	8
1	-	2119798-1	DETENT PIN	7
△	1	9-568176-6	CRIMPER, WIRE	6
1	-	2119092-1	BOLT, ADJUSTMENT	5
△	1	1673019-1	BLADE, SLUG	4
1	-	2119957-1	APPLICATOR SHIM PACK	3
1	-	2119656-1	APPLICATOR BASIC ASSEMBLY, SF	2
△	1	2119923-1	ANVIL, SPECIAL	1

U/M	PART NO	DESCRIPTION	ITEM NO

DWN	K. STAKEM	04AUG2010	MATERIAL	HEAT TREAT
CHK	G. BAILEY	04AUG2010		
APVD	T. ELBIN	04AUG2010		
NAME		Ocean Side Feed AMP Style Applicator		
SCALE	SIZE	DRAWING NO	SHEET	REV
4:5	A1	2151009	1 of 1	B

DIMENSIONS:	TOLERANCES UNLESS OTHERWISE SPECIFIED:
mm	0 PLC ±
	1 PLC ±
	2 PLC ±
	3 PLC ±
	4 PLC ±
ANGLES:	
SURFACE TEXTURE:	√

P	LTR	REVISION RECORD	DATE	DWN	APVD

THIS DRAWING IS A CONTROLLED DOCUMENT

LOC A DIST 00