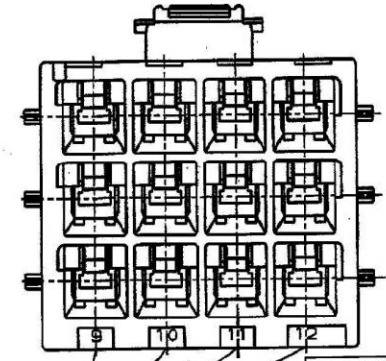
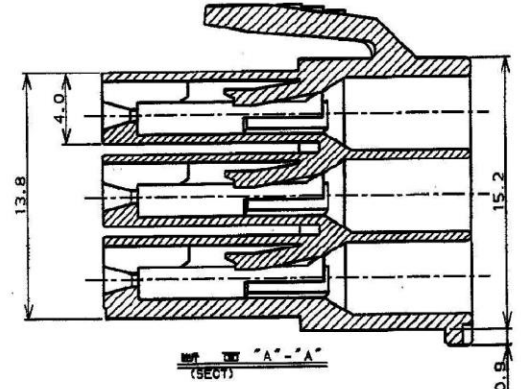
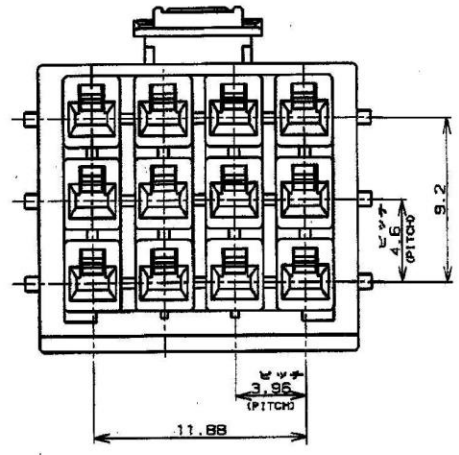
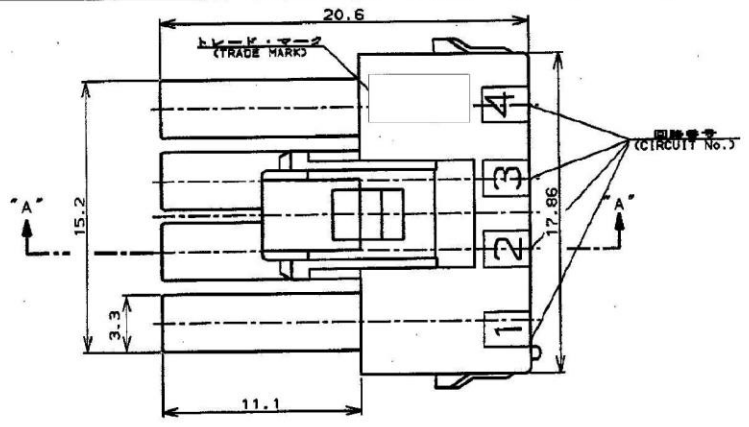


NUMBER C-177905  
METRIC  
三角度 (3-Angle PROJECTION)

1. 適用製品規格 : 106-5410  
 2. 適用コンタクト型番  
 ① A : コンタクト : 177915-C(#20-#16AWG)  
 177914-D(#26-#22AWG)  
 3. 適合標準用製品型番  
 カネマツ・ハウジング : 177913-① (パネル取付タイプ)  
 タブ・コンタクト : 177917-C(#20-#16AWG)  
 177916-C(#26-#22AWG)  
 4. 適用プレート型番 : 177920-C  
 5. 取扱説明書 : 411-5638



6 ALL PARTS MEET RTI ELECTRICAL RATING OF 105C ACCORDING TO UL 1977.  
 △ PART 5-177905-1 COMPLY WITH GLOW WIRE REQUIREMENT FOR PARTS OF NON-METALLIC MATERIAL SUPPORTING A CURRENT-CARRYING CONNECTION DETAILED IN IEC 60335-1, SECTION 30(GWT)  
 △ PART 177905-7 COMPLY WITH HOT WIRE REQUIREMENT, PA66, UL 94V-0. HOT WIRE IGNITION(HWI) VERSION ARE MOLDED IN A RESIN THAT COMPLIES WITH THE HOT WIRE IGNITION TEST 109-32026 AND ARE RECOMMENDED FOR USE WITH HWI HOUSING THAT ALSO COMPLY.  
 △ Preliminary-not for production  
 10. APPLICATION SPEC: 114-5175

自然色 (NATURAL)	12	177905-7
自然色 (NATURAL)	12	5-177905-1
青 (BLUE)		-6
黄 (YELLOW)		-4
自然色 (NATURAL)	12	177905-1
ハウジング色別 極微 型番		型番
(HOUSING COLOR) (P/N)		(P/N)

- NOTES:  
 1. PRODUCT SPEC: 106-5410  
 2. APPLICABLE CONTACT P/N  
 REC CONTACT: 177915-C(#20-#16AWG)  
 177914-D(#26-#22AWG)  
 3. MATING CONN. P/N  
 CAP HSG: 177913-D (PANEL MOUNT)  
 TAB CONTACT: 177917-C(#20-#16AWG)  
 177916-C(#26-#22AWG)  
 4. APPLICABLE PLATE P/N: 177920-C  
 5. INSTRUCTION SHEET : 411-5638

D6	REVISED PER ECR-19-017851	SM	DZ	20NOV 2019
D5	REVISED ECR-19-014813	M.G	D.Z	26SEP 2019
D4	REVISED ECR-14-017020	W.W	D.Z	4NOV 2014
D3	REVISED ECR-14-013449	W.W	D.Z	14SEP 2014
D2	REVISED ECR-13-019881	A.Z	D.Z	23DEC 2013
D1	REVISED ECR-12-019929	A.Z	F.M	16NOV 2012
D	変更 P100-1398-01	M.M	M.S	20MAY 2011
C	変更 P100-0724-99	M.M	M.S	28MAY 99
B	変更 P100-0623-98	T.Y	M.S	28MAY 98
LTR	変更 (REVISION RECORD)	DR	CHK	DATE

Tyco Electronics AMP K.K. Kawasaki, Japan	
適合規格 (REFERENCE ONLINE RATED) 12極 3.96mmピッチ プラチックハウジング (3列タイプ)	回路番号 (INSULATION DIA.) 12
材料 (MATERIAL) 樹脂 (RESIN)	仕上げ (FINISH)
色別 (COLOR) 自然色 (NATURAL)	型番 (NAME) AMP POWER DOUBLE LOCK CONN. 3.96mm PITCH PLUS HOUSING 12 Pos (TPL. ROM)
製造 (MANUFACTURE) M. SUZUKI	検査 (INSPECTION) M. SUZUKI
承認 (APPROVAL) M. SHINDO	申請 (APPLICATION) Y. KASHIWA
寸法 (DIMENSIONS) 12極 x 3.96mm x 20.2mm 18極 x 3.96mm x 20.25mm 24極 x 3.96mm x 20.3mm	仕様 (SPECIFICATION) B J C-177905
尺度 (SCALE) 1:1	図番 (DRAWING NO.) D6 SHEET 1 OF 1

PRINT DIST  
 寸法 (DIMENSIONS IN MM. DO NOT SCALE PRINT)

REV 1  
 P1028500

CUSTOMER DRAWING