

# Cable - VIP-CAB-FLK16/0,14/1,0M



2318473

<https://www.phoenixcontact.com/us/products/2318473>

Please be informed that the data shown in this PDF document is generated from our Online Catalog. Please find the complete data in the user documentation. Our General Terms of Use for Downloads are valid.

Round cable set; connection 1: IDC/FLK socket strip (1x 16-position, 180 °-out put); connection 2: IDC/FLK socket strip (1x 16-position, 90 °-out put); cable length: 1 m



## Your advantages

- Available in any choice of length
- 10-pos. ... 20-pos.
- Individual serial number
- Connector in accordance with IEC 60603-13
- 1:1 connection

## Commercial Data

Item number	2318473
Packing unit	1 pc
Minimum order quantity	1 pc
Note	Made to Order (non-returnable)
Sales Key	C02
Product Key	CK2331
Catalog Page	Page 600 (C-7-2015)
GTIN	4046356312103
Weight per Piece (including packing)	99.7 g
Weight per Piece (excluding packing)	99.7 g
Customs tariff number	85444290
Country of origin	DE

# Cable - VIP-CAB-FLK16/0,14/1,0M



2318473

<https://www.phoenixcontact.com/us/products/2318473>

## Technical Data

### Product properties

Product type	System cable
--------------	--------------

### Ambient conditions

Ambient temperature (operation)	-20 °C ... 50 °C
Ambient temperature (storage/transport)	-20 °C ... 70 °C

### Electrical properties

Max. permissible operating voltage	< 50 V AC
	60 V DC
Max. current carrying capacity per path	1 A

### Cable / line

Cable length	1 m
--------------	-----

#### 16X0.14 [PVC]

Number of positions	16
Shielded	no
Cable type	16X0.14 [PVC]
Conductor type	Round cable set
Conductor structure signal line	7x 0.16 mm
AWG signal line	26
Conductor cross section	16x 0.14 mm <sup>2</sup>
Wire diameter incl. insulation	1 mm ±0.03 mm
External cable diameter	6.8 mm ±0.4 mm
Outer sheath, material	Semi-rigid PVC
External sheath, color	gray
Conductor material	Tin-plated Cu litz wires
Cable resistance	≤ 145 Ω/km (20 °C)
Insulation resistance	≥ 20 MΩ*km (20 °C)
Smallest bending radius, fixed installation	58 mm
Smallest bending radius, movable installation	108 mm
Max. bending cycles	5000 (at a radius of ≥ 15x outside diameter)
Halogen-free	no
Flame resistance	IEC 60332-1-2 (raw cable)
	VDE 0842, Part 332-1-2 (raw cable)
	IEC 60332-3-22 (raw cable)
	UL VW-1
	CSA FT-1
Resistance to oil	can withstand occasional splashes (raw cable)
Type	Cable for one module
Cable, preassembly	Insulation displacement, IEC 60352-4/DIN EN 60352-4

# Cable - VIP-CAB-FLK16/0,14/1,0M



2318473

<https://www.phoenixcontact.com/us/products/2318473>

## Connection data

### Field level

Connection method	IDC/FLK socket strip
Number of connections	1
Number of positions	16
Exit angle	90 °
Pitch	2.54 mm

### Controller level

Connection method	IDC/FLK socket strip
Number of connections	1
Number of positions	16
Exit angle	180 °
Pitch	2.54 mm

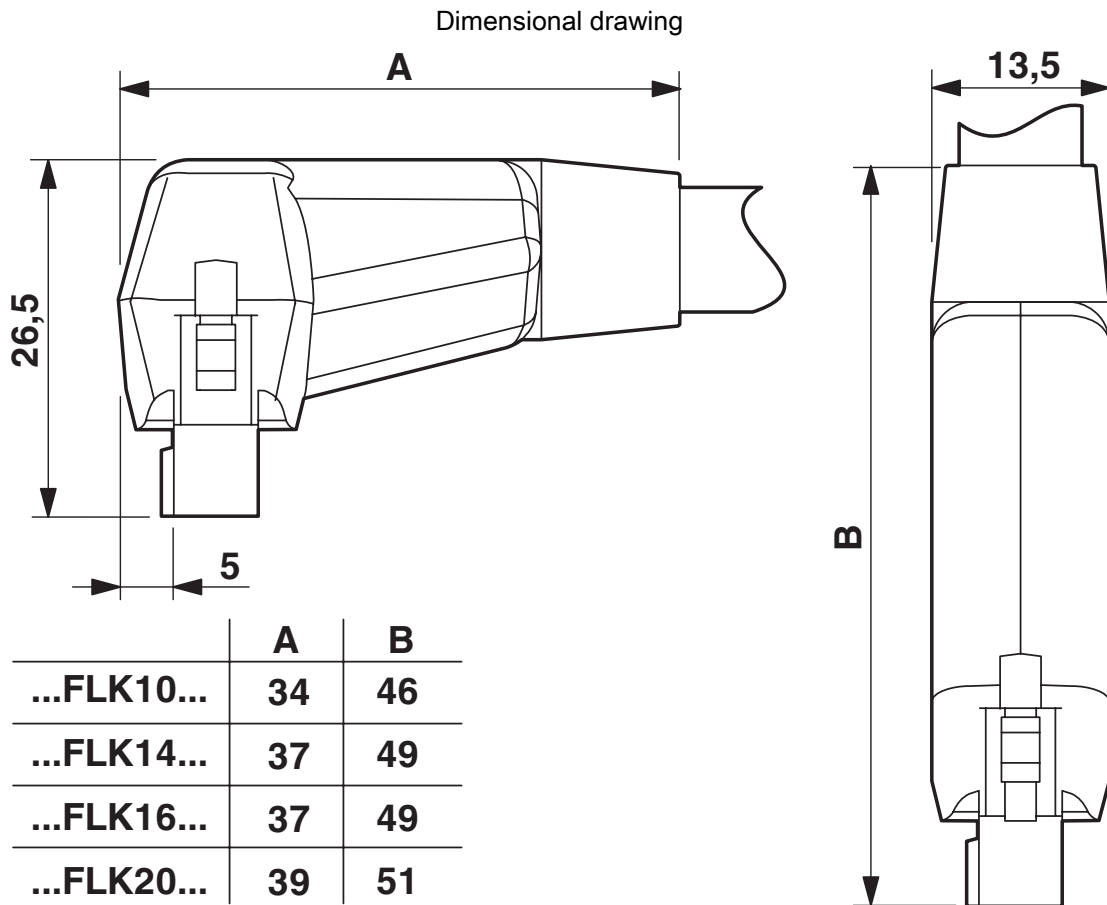
# Cable - VIP-CAB-FLK16/0,14/1,0M

2318473

<https://www.phoenixcontact.com/us/products/2318473>



## Drawings



# Cable - VIP-CAB-FLK16/0,14/1,0M

2318473

<https://www.phoenixcontact.com/us/products/2318473>



## Classifications

### ECLASS

ECLASS-9.0	27242220
ECLASS-10.0.1	27242220
ECLASS-11.0	27242220

# Cable - VIP-CAB-FLK16/0,14/1,0M



2318473

<https://www.phoenixcontact.com/us/products/2318473>

## Environmental Product Compliance

China RoHS	Environmentally Friendly Use Period = 50 years For information on hazardous substances, refer to the manufacturer's declaration available under "Downloads"
------------	--

Phoenix Contact 2022 © - all rights reserved  
<https://www.phoenixcontact.com>

Phoenix Contact USA  
586 Fulling Mill Road  
Middletown, PA 17057, United States  
(+717) 944-1300  
[info@phoenixcon.com](mailto:info@phoenixcon.com)