

# Customer Information Sheet

DRAWING No. : Z80-258

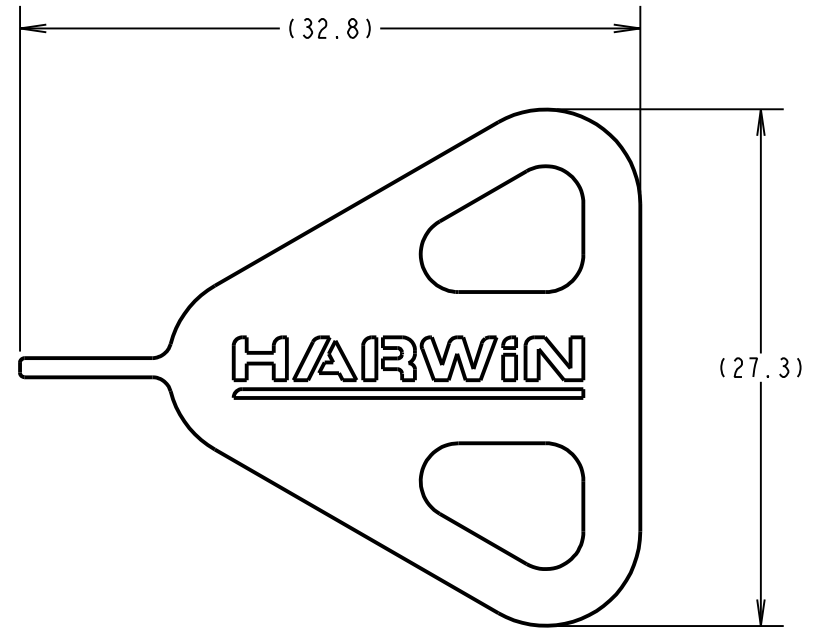
IF IN DOUBT - ASK

©

NOT TO SCALE

THIRD ANGLE PROJECTION

ALL DIMENSIONS IN mm



**NOTES:**

- 1) SEE INSTRUCTION SHEETS IS-28 AND IS-50 FOR RECOMMENDED USE, INCLUDING APPLICABLE FEMALE SIGNAL CRIMP CONTACTS AND HOUSINGS. AVAILABLE AT <http://www.harwin.com/resources/design/>
- 2) THIS TOOL CAN BE USED TO AID THE ASSEMBLY OF CONTACTS INTO HOUSING.
- 3) PACKING = BAG

RA	4	09.03.20	21572
NAME	ISS.	DATE	C/NOTE
APPROVED: R.ALEXANDER			
CHECKED: M.RUDKIN			
DRAWN: B. M. KENT			
CUSTOMER REF.:			
ASSEMBLY DRG:			

**HARWIN**

[www.harwin.com](http://www.harwin.com)  
[technical@harwin.com](mailto:technical@harwin.com)

THIS DRAWING AND ANY INFORMATION OR DESCRIPTIVE MATTER SET OUT HEREON ARE CONFIDENTIAL AND COPYRIGHT PROPERTY OF THE HARWIN GROUP AND MUST NOT BE DISCLOSED, LOANED, COPIED OR USED FOR MANUFACTURING, TENDERING OR FOR ANY OTHER PURPOSE WITHOUT THEIR WRITTEN PERMISSION.

**TOLERANCES**  
 X. = ±1mm  
 X.X = ±0.50mm  
 X.XX = ±0.20mm  
 X.XXX = ±0.01mm  
 ANGLES = ±5°  
 UNLESS STATED

**MATERIAL:**  
 STAINLESS STEEL

**FINISH:**

**S/AREA:** mm<sup>2</sup>

**TITLE:** DATAMATE TRIO-TEK FEMALE CONTACT EXTRACTION TOOL

**DRAWING NUMBER:**  
 Z80-258