



### FEATURES

- Self-powered, only two connections required
- +6.50-18.00Vdc (0.01V resolution) or
- +8.0-50.0Vdc (0.1V resolution) input ranges
- Ideal for battery-powered systems
- Reverse polarity protected
- Built-in "VDC" annunciator
- Large (0.37"/9.4mm) LCD displays
- Subminiature 1.38" x 0.88" x 0.66" packages
- Rugged, ABS package

### Functional Specifications

#### Input

Voltage Range: ①

DMS-20LCD-0-DCM	+6.50 to +18.00Vdc
DMS-20LCD-1-DCM	+8.0 to +50.0Vdc

Max. Current Consumption:

DMS-20LCD-0-DCM	2mA @+12V, 7mA @ +18V
DMS-20LCD-1-DCM	2mA @ +24V, 6mA @ +50V

#### Performance

Sampling Rate 2.5 readings/second

Accuracy @ +25°C:

DMS-20LCD-0-DCM	±0.01V (typ.), ±0.03V (max.)
DMS-20LCD-1-DCM	±0.1V (typ.), ±0.2V (max.)

Temperature Drift (0 to +60°C):

DMS-20LCD-0-DCM	±0.4 counts/°C (max.)
DMS-20LCD-1-DCM	±0.04 counts/°C (max.)

#### Mechanical

Display Type:

DMS-20LCD-0-DCM	3½ digit LCD, 0.37"/9.4mm high
DMS-20LCD-1-DCM	3 digit LCD, 0.37"/9.4mm high

Weight 0.5 ounce (14 grams)

Case Material ABS

#### Environmental ②

Operating Temperature 0 to +60°C

Storage Temperature -20 to +75°C

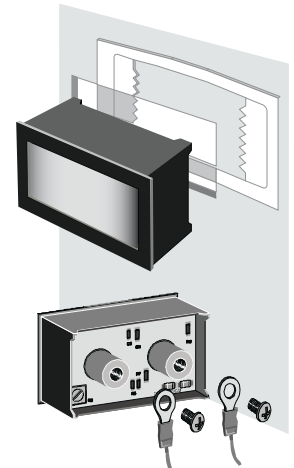
Humidity (Non-condensing) 0 to 85%

① Operation and accuracy at voltages above or below these ranges are not specified.

② Meters are not sealed; Do not expose to moisture or other contaminants.

Murata Power Solutions' new DMS-20LCD-0/1-DCM, self-contained, self-powered, dc voltage monitors set new standards for quality, performance, size and cost. Simply apply power to the two rear terminals and the unit is operational. No additional components are required! The large, 0.37"/9.4mm, LCD display, with built-in "VDC" annunciator, can be easily read from 10 feet. Two models are available: one for 12Vdc nominal operation (+6.50-18.00V range, 0.01V resolution), the other for 24Vdc nominal operation (+8.0-50.0V range, 0.1V resolution). Reverse polarity protection is standard on both models.

The DMS-20LCD-DCM utilizes a precision analog-to-digital converter and ultra-stable passive components to achieve excellent performance over the operating temperature range of 0 to +60°C. A rugged, ABS plastic package provides excellent protection against shock and vibration. DMS-20LCD-DCM's are without a doubt the most cost-effective, LCD-display, digital voltmeters available anywhere, at any price.



Typical panel mount installation and suggested wiring (user supplied).

### Ordering Information

<b>DMS-20LCD-0-DCM-C</b>	+6.50 to 18.00V dc voltage monitor
<b>DMS-20LCD-1-DCM-C</b>	+8.0 to 50.0V dc voltage monitor
<b>DMS-20-CP</b>	Panel cutout punch
<b>DMS-BZL3-C</b>	Panel mount bezel
<b>DMS-BZL4-C</b>	Panel mount bezel with sealing gasket

Brass screws (6-32 thread) and a panel-mount retaining clip are supplied with each meter.

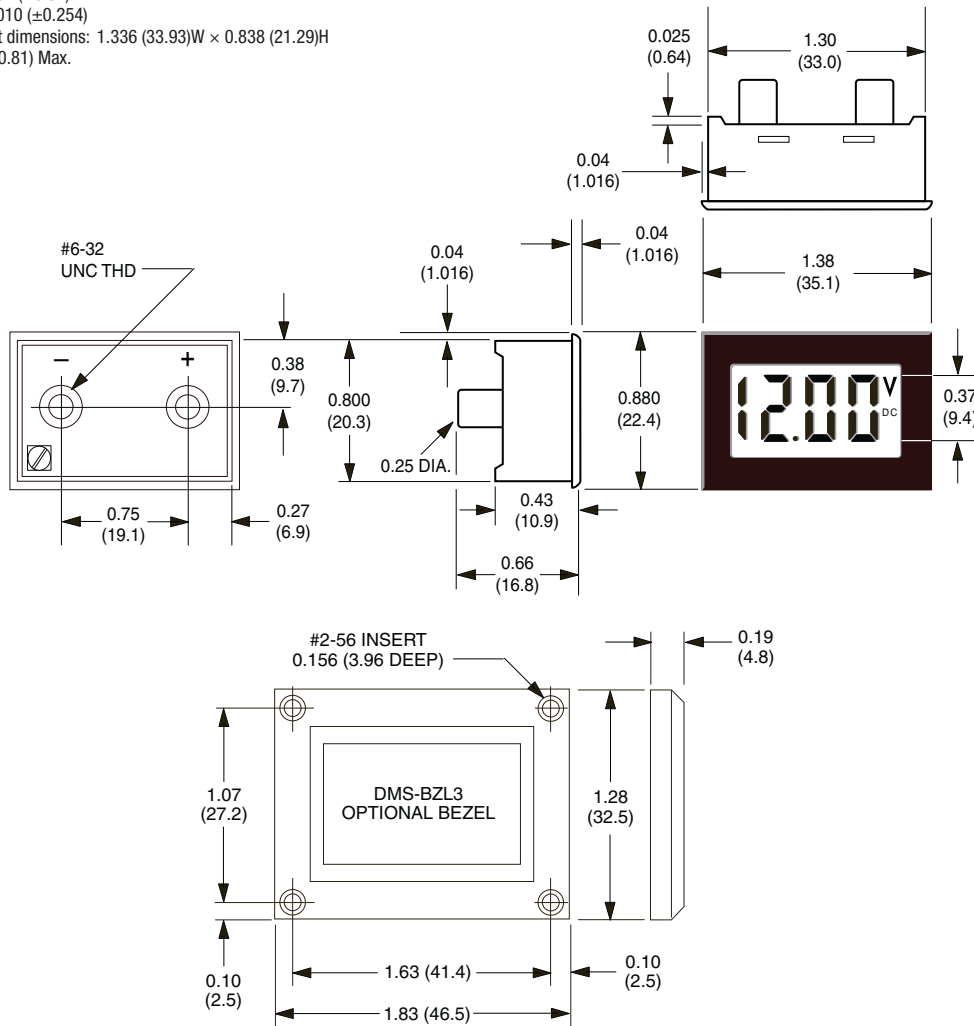


Dimensions in inches (millimeters)

Tolerances: 2 PL Dec  $\pm 0.02$  ( $\pm 0.51$ )  
3 PL Dec  $\pm 0.010$  ( $\pm 0.254$ )

Recommended panel cutout dimensions: 1.336 (33.93)W  $\times$  0.838 (21.29)H

Internal corner radii 0.032 (0.81) Max.



Murata Power Solutions, Inc.  
11 Cabot Boulevard, Mansfield, MA 02048-1151 U.S.A.  
ISO 9001 and 14001 REGISTERED



**This product is subject to the following operating requirements and the Life and Safety Critical Application Sales Policy:**  
Refer to: <http://www.murata-ps.com/requirements/>

Murata Power Solutions, Inc. makes no representation that the use of its products in the circuits described herein, or the use of other technical information contained herein, will not infringe upon existing or future patent rights. The descriptions contained herein do not imply the granting of licenses to make, use, or sell equipment constructed in accordance therewith. Specifications are subject to change without notice.  
© 2015 Murata Power Solutions, Inc.