

4

3

2

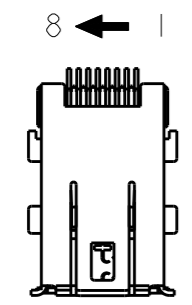
1

THIS DRAWING IS UNPUBLISHED. RELEASED FOR PUBLICATION 20

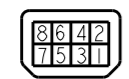
© COPYRIGHT 20 BY - ALL RIGHTS RESERVED.

REVISIONS

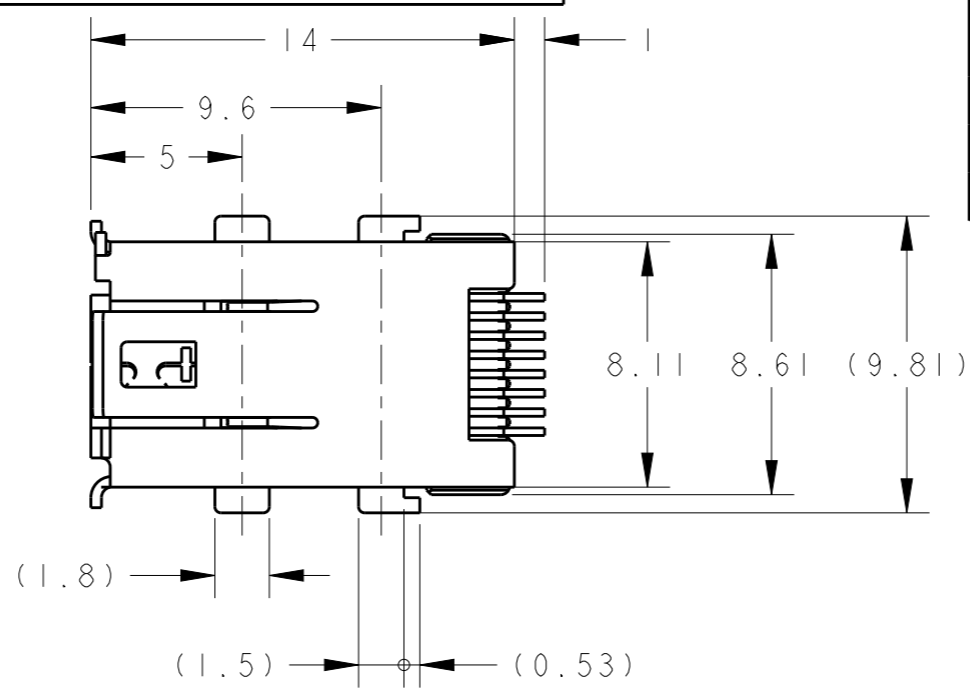
P	LTR	DESCRIPTION	DATE	DWN	APVD
	B	REVISED PER ECR-17-014980	01MAY2018	TS	EI



D-SHAPE TYPE 2



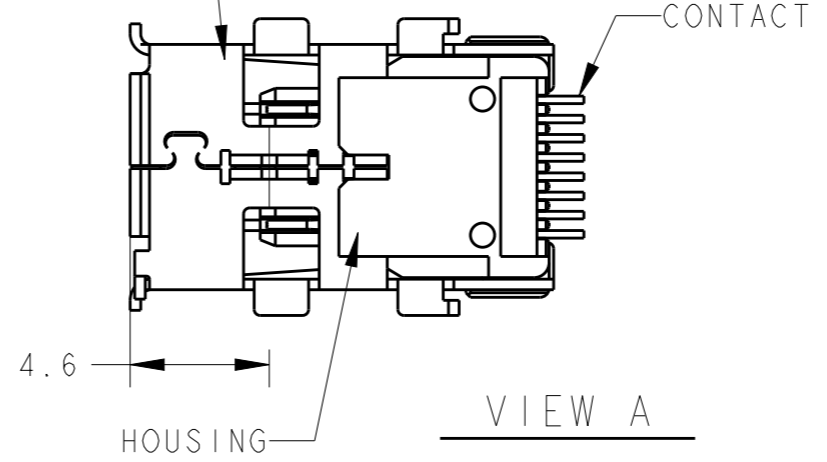
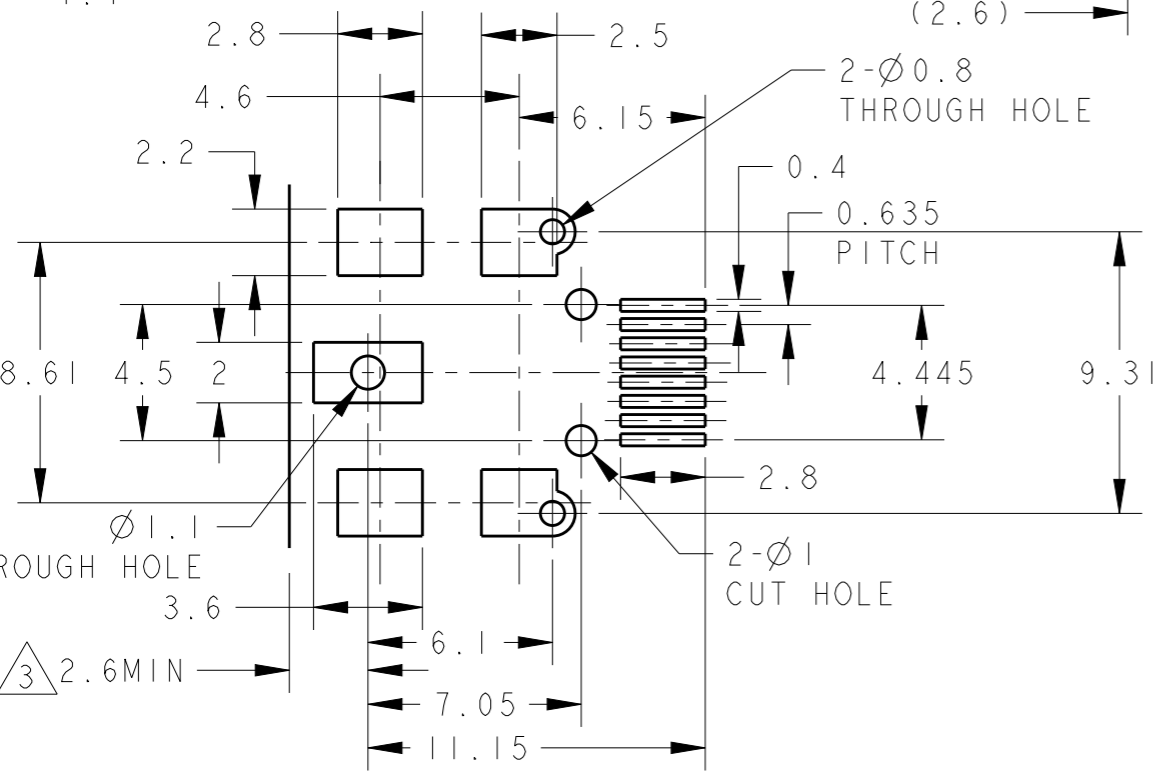
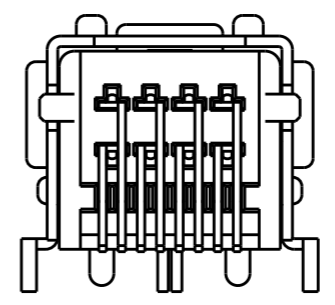
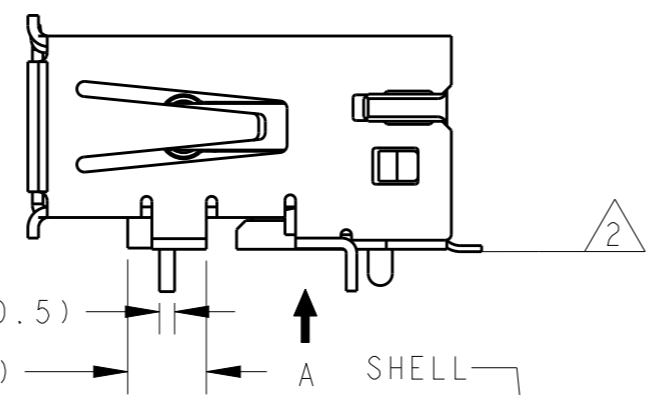
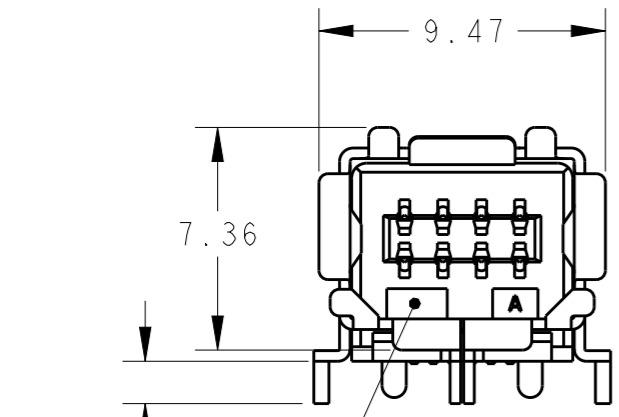
CIRCUIT NO.



- 1 MATERIAL AND FINISH
CONTACT
COPPER ALLOY
UNDER ALL SURFACE Ni 1.27μm MIN
TOP CONTACT AREA Au 0.5μm MIN
SOLDERING AREA Au FLASH

HOUSING
THERMO PLASTIC(UL94V-0)

SHELL
COPPER ALLOY
UNDER ALL SURFACE Ni
TOP ALL SURFACE Sn
- 2 COPLANARITY 0.1 MAX(TOP OF LEAD)
- 3 DIMENSION DECIDED BY CUSTOMER.



RECOMMENDED BOARD DIMENSION
(CONNECTOR SIDE) ±1.6
TOLERANCE ±0.05

THIS DRAWING IS A CONTROLLED DOCUMENT.

DIMENSIONS: mm	TOLERANCES UNLESS OTHERWISE SPECIFIED: ±0.2
	0 PLC ±
	1 PLC ±
	2 PLC ±
	3 PLC ±
	4 PLC ±
	ANGLES ±
MATERIAL	FINISH

DWN	S. INOMATA	13NOV2007
CHK	I. HASEGAWA	13NOV2007
APVD	I. HASEGAWA	13NOV2007
PRODUCT SPEC	108-78405	
APPLICATION SPEC	114-32132	
WEIGHT	-	
CUSTOMER DRAWING		

TRAY (SEE SHEET 2 OF 2)		1981386-1
PACKAGING STYLE		PART NO.
STE TE Connectivity		
NAME INDUSTRIAL MINI I/O CONN. 1.27MM PITCH 8P HDR ASSY D-SHAPE TYPE 2		
SIZE	CAGE CODE	DRAWING NO
A3	-	1981386
RESTRICTED TO		
SCALE	SHEET	REV
4:1	1 OF 2	B

4

3

2

1

THIS DRAWING IS UNPUBLISHED. RELEASED FOR PUBLICATION 20
 © COPYRIGHT 20 BY - ALL RIGHTS RESERVED.

REVISIONS					
P	LTR	DESCRIPTION	DATE	DWN	APVD
-	-	SEE SHEET 1	-	-	-

D

C

B

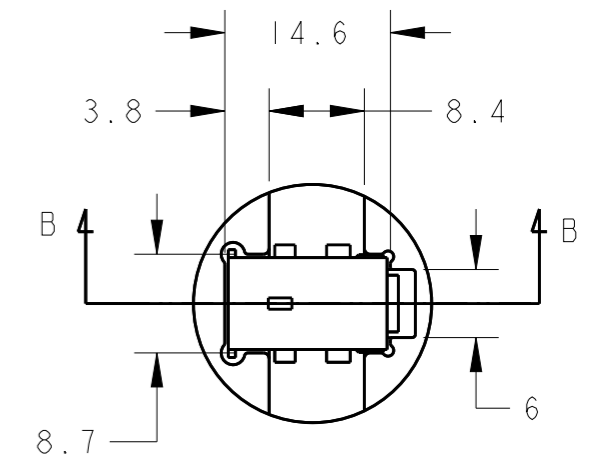
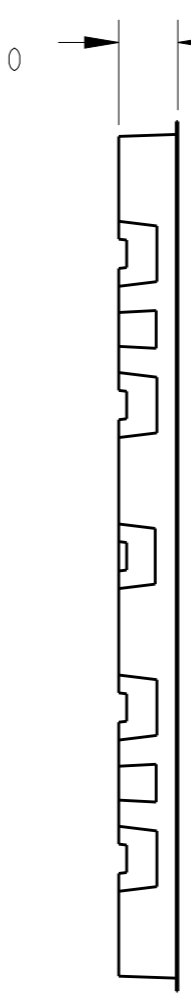
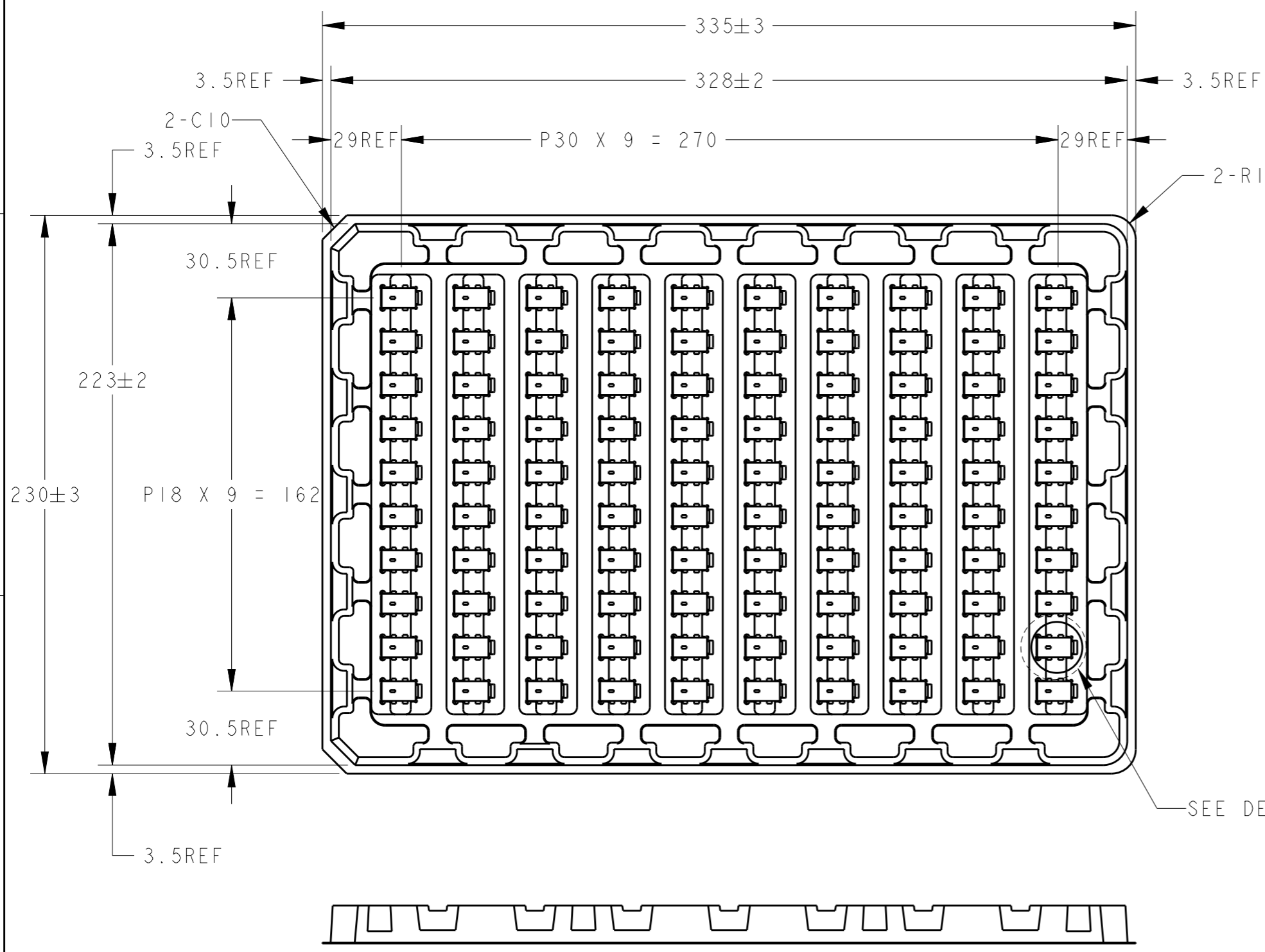
A

D

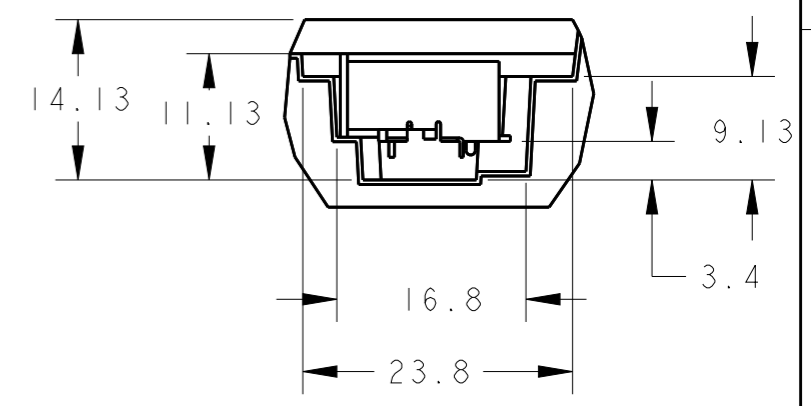
C

B

A



DETAIL A
AT BOTTOM OF TAPER



B-B

- 4. TRAY MATERIAL : POLYSTYRENE
- 5. PRODUCT QUANTITY: 100/1TRAY
- 6. MOISTURE SENSITIVE LEVEL: 5

THIS DRAWING IS A CONTROLLED DOCUMENT.	
DIMENSIONS: mm	TOLERANCES UNLESS OTHERWISE SPECIFIED: ±0.5
	0 PLC ±
	1 PLC ±
	2 PLC ±
	3 PLC ±
	4 PLC ±
	ANGLES ±
MATERIAL 4	FINISH

DWN	SEE SHEET 1
CHK	SEE SHEET 1
APVD	SEE SHEET 1
PRODUCT SPEC	SEE SHEET 1
APPLICATION SPEC	-
WEIGHT	-
CUSTOMER DRAWING	

TE Connectivity		NAME	
		INDUSTRIAL MINI I/O CONN. 1.27MM PITCH 8P HDR ASSY D-SHAPE TYPE 2	
SIZE	CAGE CODE	DRAWING NO	RESTRICTED TO
A3	-	C-1981386	
SCALE 4:1		SHEET 2 OF 2	REV B