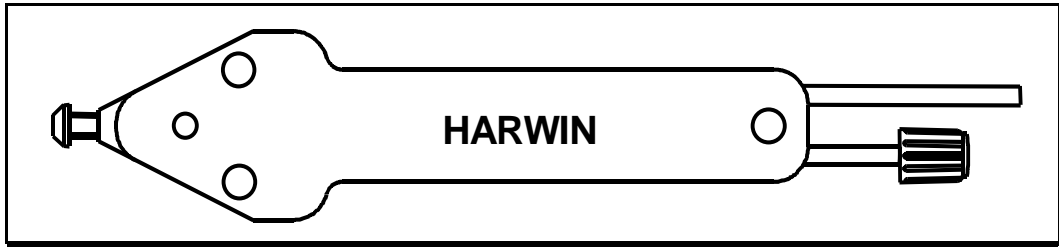


HARWIN

TRACK PIN INSERTION TOOL Z1002-00



This Insertion Tool has been designed for use with the following track pins:

T1558-46
T1562-46

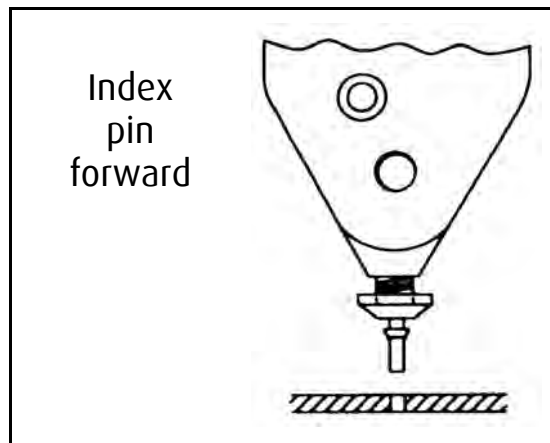
T1559-46
T1563-46

T1560-46
T1564-46

T1561-46
T1565-46

TO LOAD TOOL

1. Ensure that the first track pin on the strip is straight and in line. If not, gently bend into alignment.
2. Insert the strip of pins into the plastic feed tube until resistance is felt. The tapered end of the pin should be inserted first
3. Depress thumb knob several times to index pins fully, until one protrudes below the insertion head. If pins will not index, rotate pins in plastic tube until flexing occurs.



4. For optimum snap-off, adjust the screw hexagonal nose on the insertion head, i.e. the head of the pins just protrudes below the level of the screw.
5. The tool is now loaded and ready to use.

Harwin North America

T: +1 603 893 5376 F: +1 603 893 5396
E: misboston@harwin.com W: www.harwin.com

Harwin Europe

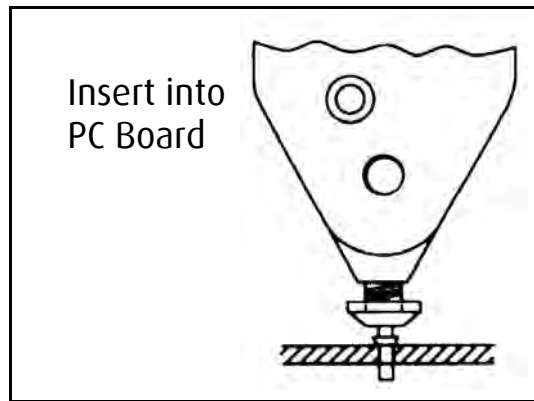
T: +44 (0) 23 9231 4545 F: +44 (0) 23 9231 4590
E: mis@harwin.co.uk W: www.harwin.com

Harwin Asia

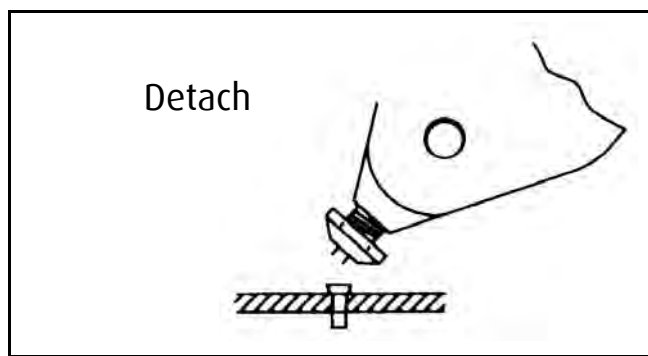
T: +65 6 779 4909 F: +65 6 779 3868
E: mis@harwin.com.sg W: www.harwin.com.sg

TO FIT TRACK PINS TO PC BOARD

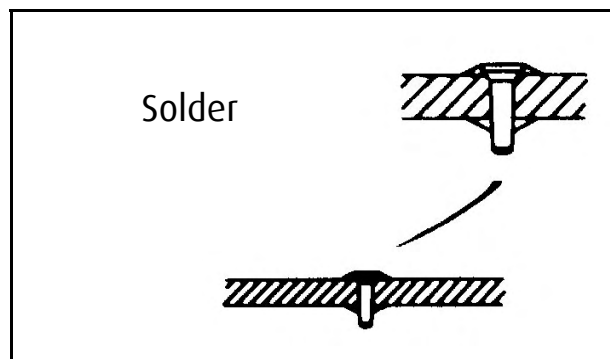
1. Insert the first track pin into the PC board's hole, pushing down firmly



2. Twist the tool sideways to approximately 45 degrees and back to obtain snap-off.



3. Lift the tool away from the board, and index the next track pin forward using the thumb knob.
4. Repeat operations 1 to 2 until all holes are filled.
5. To solder the top side, apply the soldering iron bit to the top of the track pin head and push down, whilst applying the solder under the track pin head.



6. Fit all the other components into the PC board and then hand or flow-solder the underside of the board.

CARE OF TOOLS

After repeated use, the tool may require cleaning to remove solder particles from the feed mechanism. To clean, blow air through the transverse cleaning hole provided.