

Table with columns: PART NUMBER, REV, FIRST USED, TERMINATOR, FEED TYPE, DESCRIPTION. Lists parts 9-1385864-2 through 7-1385864-6.

Terminal specifications table including AMP TERM PN 1572646-1, GROTE & HARTMAN TERM PN 26934.306.009, and wire specifications for H and G terminals.

- RECOMMENDED SPARE PARTS.
GREASE LIGHTLY.
3. GUARD MUST BE IN PLACE WHEN OPERATING APPLICATOR IN A BENCH MACHINE.
SEE DRAWING FOR COMPONENTS.
WARNING: ON INSTALLATION, SET WIRE DISC TO LARGEST WIRE SIZE SETTING...

Main parts list table with columns for item number, part number, description, and quantity required per assembly. Includes items like GENERAL INSTRUCTION PACKAGE, APPL INST 408-8040, WASHER, LOCK (#10) ADJ BLOCK, etc.

Parts list table with columns for item number, part number, description, and quantity required per assembly. Includes items like WASHER, LOCK (3/8) FEED BRKT, AIR FEED VALVE ASSY, VALVE, SHUT OFF, etc.

THIS DRAWING IS A CONTROLLED DOCUMENT.

28

THIS DRAWING IS UNPUBLISHED.
RELEASE FOR PRODUCTION
ALL RIGHTS RESERVED.
LOC A
DWT 66
COPYRIGHT 20

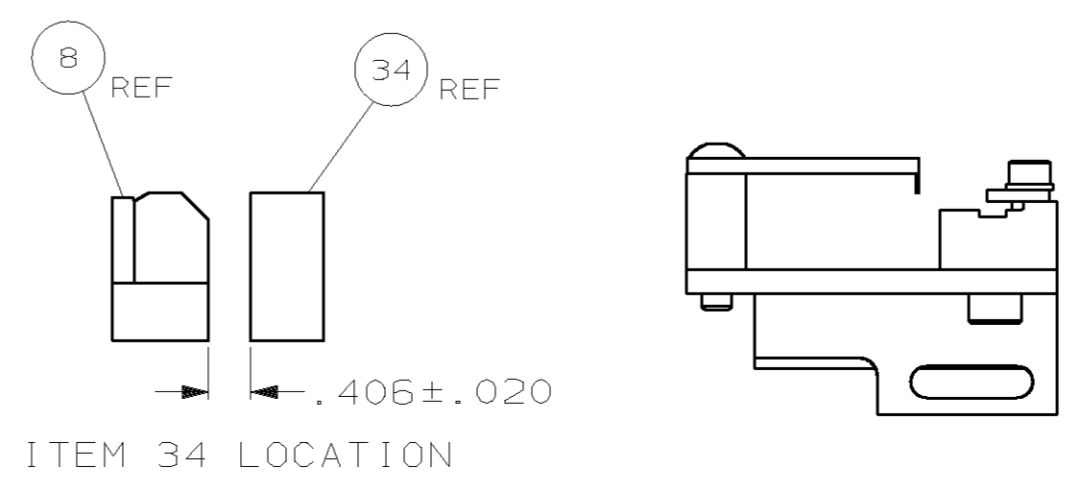
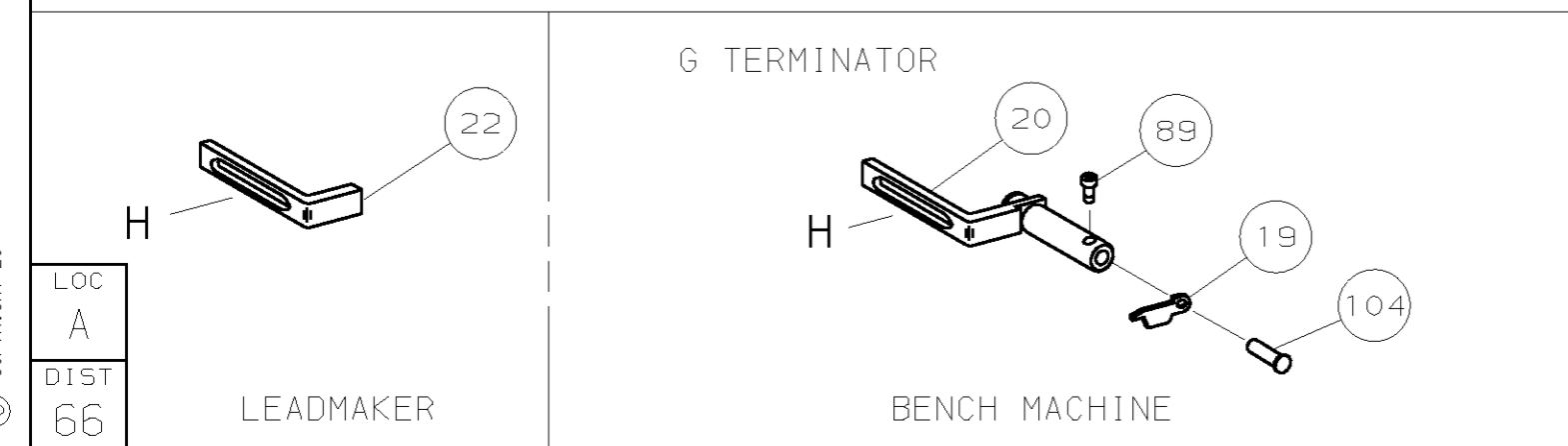
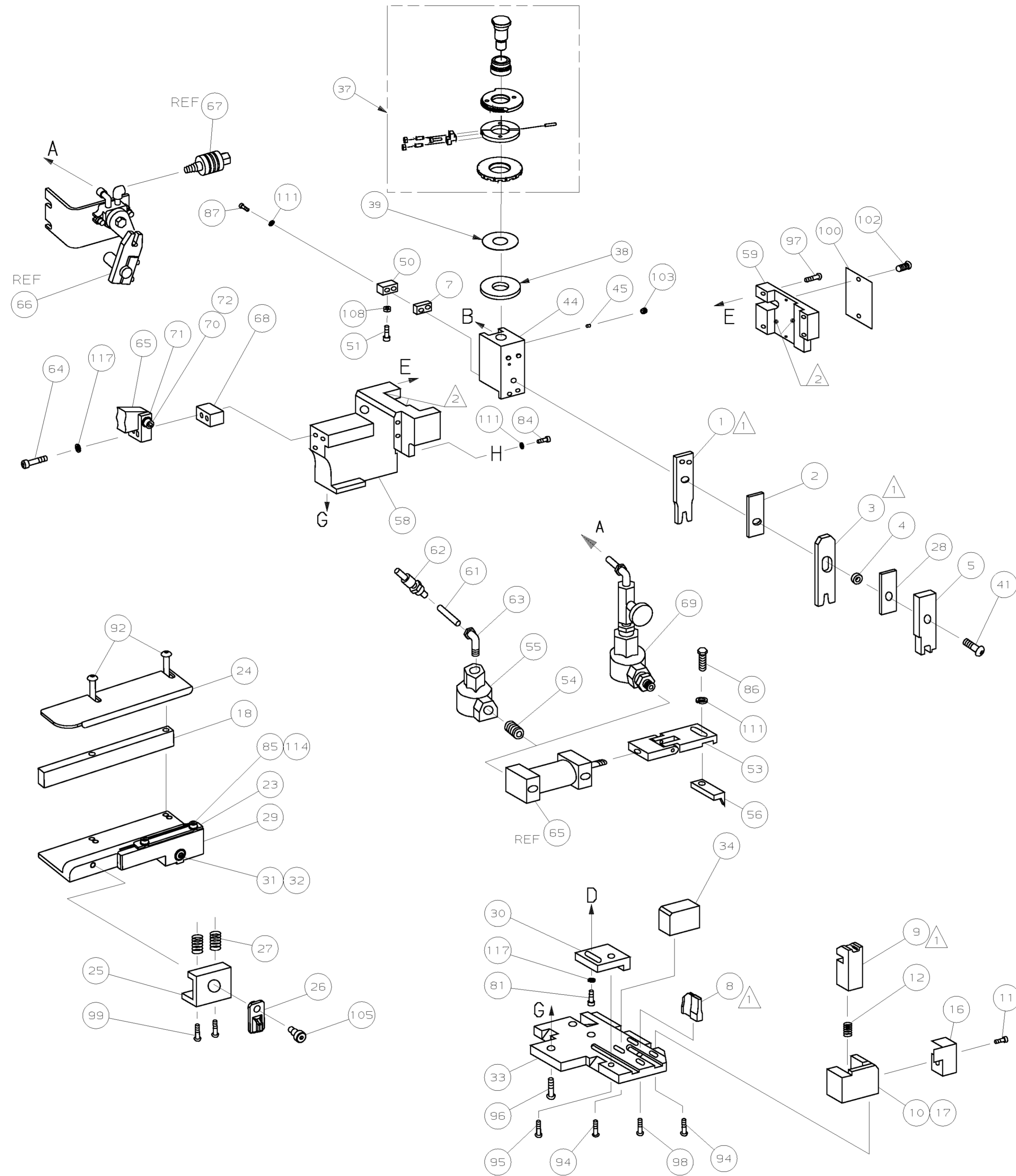
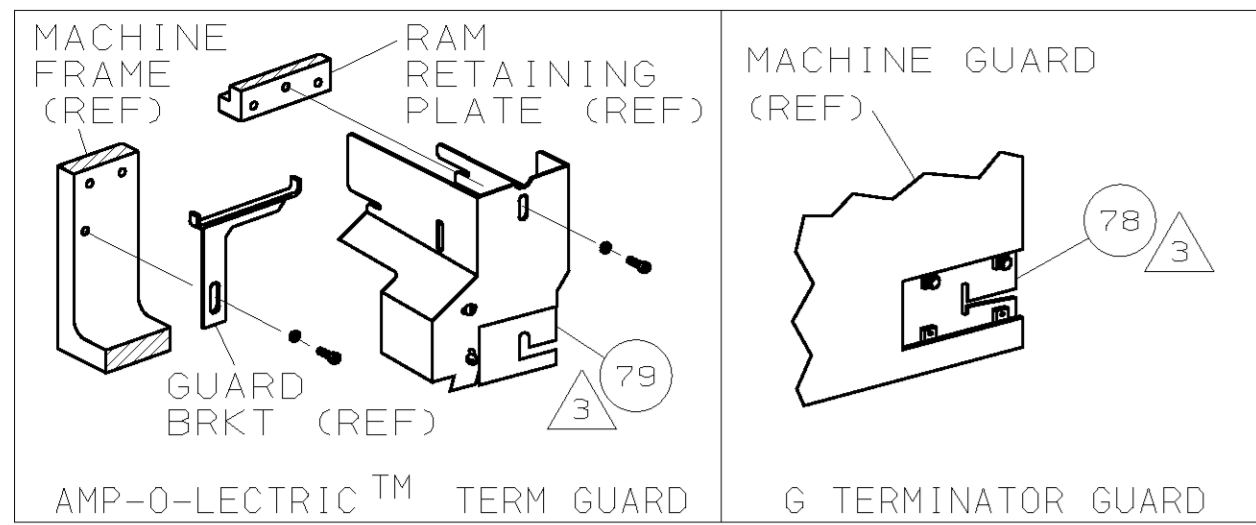
1385864

D

C

B

A



SEE SHEET 1

| | | | | | |
|---|---|-----|-----------------|-----|------|
| P | F | LTR | REVISION RECORD | APP | DATE |
|---|---|-----|-----------------|-----|------|

| DWG SIZE | PART NO | DESCRIPTION | ITEM NO |
|--|-------------------------------|-------------|--------------|
| ← REVISION OF EACH ASSY NO (WHEN BLANK, USE DWG REVISION) | | | |
| QTY RECD PER ASSY | | PARTS LIST | |
| MATL | HT TR | FIN | |
| DIMENSIONS IN INCHES. DO NOT SCALE PRINT. TOLERANCES UNLESS OTHERWISE SPECIFIED: | | | |
| DR | 08DEC04 | APP | 09DEC04 |
| R.O.WILSON | T.ELBIN | | |
| 2 PLC DEC ± | | | |
| 3 PLC DEC ± | | | |
| 4 PLC DEC ± | | | |
| ANGLES ± | | | |
| SURF TEXTURE: | | | |
| REMOVE BURRS, BREAK SHARP EDGES R.015 MAX | | | |
| SCALE | DWG NO | 1385864 | SHEET 2 OF 2 |
| CAGE CODE 00779 | CUSTOMER AND ASSEMBLY DRAWING | | REV B |

THIS DRAWING IS A CONTROLLED DOCUMENT.

20

RELEASED FOR PUBLICATION
ALL RIGHTS RESERVED.

THIS DRAWING IS UNRELEASED.
COPYRIGHT 20

1385864

D

C

B

A

Mouser Electronics

Authorized Distributor

Click to View Pricing, Inventory, Delivery & Lifecycle Information:

[TE Connectivity:](#)

[9-1385864-6](#)