

PLEASE CHECK WWW.MOLEX.COM FOR LATEST PART INFORMATION

Part Number: [0622017400](#)
Status: **Active**
Overview: [Application Tooling](#)
Description: Manual Arbor Press, RAST 2.5

Documents:

[RoHS Certificate of Compliance \(PDF\)](#)

General

Product Family	Application Tooling
Series	207125
Function	Insulation Displacement (IDT)
Geographic Area	Global
Level of Automation	Manual
More Detailed Tech Information	applicationtooling@molex.com
Overview	Application Tooling
Product Name	RAST 2.5
Taxonomy	Crimp Presses and Crimp Hand T
Tool Type	IDT Hand Tool
UPC	800756045252
Warranty Disclaimer	CAUTION: Molex tooling crimp specifications are valid only when used with Molex terminals and tooling manufactured by Molex and sold by Molex or authorized distributors ("Molex Tooling"). When using tooling other than Molex Tooling with Molex specific connector systems listed in our ATS documents, the Molex tooling qualification does not apply and the responsibility for full qualification of the connector system is that of the customer. Molex accepts no liability for connector performance or tooling support where tooling other than Molex Tooling is used or where Molex Tooling is modified.

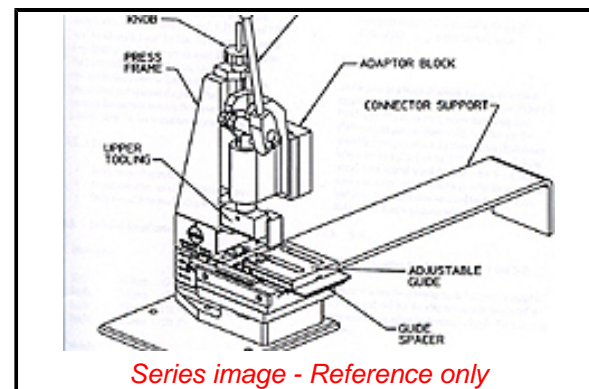
Physical

Net Weight 1850.000/g

Material Info

Reference - Drawing Numbers

Application Tooling Documents [TM-622017400-001](#)



Series image - Reference only

EU ELV

Not Reviewed

EU RoHS

Not Reviewed

REACH SVHC

Not Reviewed

Halogen-Free

Status

Not Reviewed

For more information, please visit [Contact US](#)

China ROHS

Not Reviewed

ELV

Not Reviewed

RoHS Phthalates

Not Reviewed

Search Parts in this Series

[207125 Series](#)

Application Tooling | **FAQ**
Description | **Product #**

5.00mm Appli-Mate RAST 2.5 IDT Housing, Direct/ Indirect, Female, 2 Circuits, Fully Coded	917170002
5.00mm Appli-Mate RAST 2.5 IDT Housing, Direct/ Indirect, Female, 3 Circuits, Fully Coded	917171001
5.00mm Appli-Mate RAST 2.5 IDT Housing, Direct/ Indirect, Female, 4 Circuits, Fully Coded	917172001
5.00mm Appli-Mate RAST 2.5 IDT Housing, Direct/ Indirect, Female, 5 Circuits, Fully Coded	917173001
5.00mm Appli-Mate RAST 2.5 IDT	917174001

Housing, Direct/
Indirect, Female, 6
Circuits, Fully Coded
5.00mm Appli- 917176001
Mate RAST 2.5 IDT
Housing, Direct/
Indirect, Female, 8
Circuits, Fully Coded
5.00mm Appli- 917177001
Mate RAST 2.5 IDT
Housing, Direct/
Indirect, Female, 9
Circuits, Fully Coded
5.00mm Appli- 917178001
Mate RAST 2.5 IDT
Housing, Direct/
Indirect, Female, 10
Circuits, Fully Coded

This document was generated on 10/08/2022

PLEASE CHECK WWW.MOLEX.COM FOR LATEST PART INFORMATION