

PART NUMBER	REV	FIRST USED	TERMINATOR	FEED TYPE	DESCRIPTION
9-1385864-2	A	-	BENCH G	AIR FEED	CUTS CARRIER
9-1385864-3	B	-	BENCH K	AIR FEED	CUTS CARRIER
9-1385864-5	A	-	LEADMAKER	AIR FEED	CUTS CARRIER
9-1385864-6	A	-	LEADMAKER	AIR FEED	CONTINUOUS CARRIER
7-1385864-2	A	-	-	-	SPARE PARTS KIT
7-1385864-5	A	-	-	-	SPARE PARTS / CUT
7-1385864-6	A	-	-	-	SPARE PARTS / NO CUT

TERMINAL NAME: GSK, 3pol.						
AMP TERM PN		H TERMINAL G & H CRIMP SPECS				
1572646-1		REF SETTING	CRIMP HEIGHT	WIRE SIZE		
GROTE & HARTMAN TERM PN		B5	.098 ±.002 [2.50 ±0.05mm]	2.50mm ²		
26934.306.009		D3	.089 ±.002 [2.25 ±0.05mm]	1.50mm ²		
WIRE STRIP LENGTH		TERM APPL SPEC	FEED	APPL INSTRUCTION	SET UP GAGE	LAYOUT
.219-.250		-	1.300	408-8040 & 408-8490	458637-1	L3066

- 1 RECOMMENDED SPARE PARTS.
- 2 GREASE LIGHTLY.
- 3. GUARD MUST BE IN PLACE WHEN OPERATING APPLICATOR IN A BENCH MACHINE.
- 4 SEE DRAWING FOR COMPONENTS.
- * WARNING: ON INSTALLATION, SET WIRE DISC TO LARGEST WIRE SIZE SETTING. USE OF SETTINGS BELOW MIN REQUIRED CRIMP HEIGHT SETTING WILL CAUSE DAMAGE TO CRIMP TOOLING.

QTY REQD PER ASSY	PARTS LIST	ITEM NO									
-	-	129									
-	-	128									
-	-	127									
-	-	126									
-	-	125									
-	-	124									
-	-	123									
-	-	122									
-	-	121									
-	-	120									
-	-	119									
-	-	118									
-	-	117									
-	-	116									
-	-	115									
-	-	114									
-	-	113									
-	-	112									
-	-	111									
-	-	110									
-	-	109									
-	-	108									
-	-	107									
-	-	106									
-	-	105									
-	-	104									
-	-	103									
-	-	102									
-	-	101									
-	-	100									
-	-	99									
-	-	98									
-	-	97									
-	-	96									
-	-	95									
-	-	94									
-	-	93									
-	-	92									
-	-	91									
-	-	90									
-	-	89									
-	-	88									
-	-	87									
-	-	86									
-	-	85									
-	-	84									
-	-	83									
-	-	82									
-	-	81									
-	-	80									
-	-	79									
-	-	78									
-	-	77									
-	-	76									
-	-	75									
-	-	74									
-	-	73									
-	-	72									
-	-	71									
QTY REQD PER ASSY	PARTS LIST	ITEM NO									
-76	-75	-72	-96	-95	-93	-92	U/M	DWG SIZE	PART NO	DESCRIPTION	ITEM NO

-	-	-	1	1	1	1	-	A	21024-8	WASHER, LOCK (3/8) FEED BRKT	70
-	-	-	-	-	-	-	-	C	692655-5	AIR FEED VALVE ASSY	69
-	-	-	1	1	1	1	-	A	461690-2	SPACER, AIR FEED	68
-	-	-	-	-	-	-	-	A	24042-2	VALVE, SHUT OFF	67
-	-	-	-	-	-	-	-	C	692655-6	AIR FEED VALVE ASSY	66
-	-	-	1	1	1	1	-	B	461065-2	AIR FEED ASSY (2 INCH)	65
-	-	-	2	2	2	2	-	A	4-21000-3	SCR, SHC (10-32x2.00) AIR ASSY	64
-	-	-	1	1	1	1	-	A	980285-2	ELBOW, SWIVEL 1/8 NPT - 1/4 T	63
-	-	-	1	1	1	1	-	A	23238-1	QUICK DISCONNECT	62
-	-	-	21.00	21.00	-	21.00	IN	A	27319-4	TUBING, POLY-FLO Ø.25	61
-	-	-	-	-	-	-	-	-	-	-	60
-	-	-	1	1	1	1	-	C	454220-1	CAP, RAM	59
-	-	-	1	1	1	1	-	D	454485-1	HOUSING	58
-	-	-	-	-	-	-	-	-	-	-	57
-	-	-	1	1	1	1	-	B	458537-2	PAWL, FEED	56
-	-	-	1	1	1	1	-	A	22374-7	VALVE, QUICK EXHAUST	55
-	-	-	1	1	1	1	-	A	22304-1	NIPPLE, HEX	54
-	-	-	1	1	1	1	-	B	461062-1	FEED FINGER ASSY	53
-	-	-	-	-	-	-	-	-	-	-	52
-	-	-	1	1	1	1	-	A	811242-2	BUMPER, HOLDDOWN	51
-	-	-	1	1	1	1	-	A	690753-1	SPACER, TONKER	50
-	-	-	-	-	-	-	-	-	-	-	49
-	-	-	-	-	-	-	-	-	-	-	48
-	-	-	-	-	-	-	-	-	-	-	47
-	-	-	-	-	-	-	-	-	-	-	46
-	-	-	1	1	1	1	-	A	690191-1	PLUG, NYLON	45
-	-	-	1	1	1	1	-	C	819307-4	RAM	44
-	-	-	-	-	-	-	-	-	-	-	43
-	-	-	-	-	-	-	-	-	-	-	42
-	-	-	1	1	1	1	-	A	7-21002-9	BOLT, CRIMPER (5/16x1.00)	41
-	-	-	-	-	-	-	-	-	-	-	40
-	-	-	1	1	1	1	-	-	690125-1	SHIM SUBASSY	39
-	-	-	1	1	1	1	-	-	1-469367-1	SPACER, FINE ADJUST	38
-	-	-	1	1	1	1	-	-	879103-3	FINE ADJUST HEAD SUBASSY	37
-	-	-	-	-	-	-	-	-	-	-	36
-	-	-	-	-	-	-	-	-	-	-	35
-	-	-	1	1	1	1	-	B	3-690786-9	SUPPORT, TERMINAL	34
-	-	-	1	1	1	1	-	D	455675-1	PLATE, BASE	33
-	-	-	1	1	1	1	-	A	8-21000-7	SCREW, ADJUSTMENT (10-32x.88)	32
-	-	-	1	1	1	1	-	A	1-22281-8	SPRING, COMPRESSION	31
-	-	-	1	1	1	1	-	B	455689-1	BLOCK, STRIP GUIDE ADJ	30
-	-	-	1	1	1	1	-	C	1633087-5	PLATE, STRIP GUIDE	29
-	-	-	1	1	1	1	-	C	1-455888-0	SPACER, FRONT SHEAR DEP	28
-	-	-	2	2	2	2	-	A	1-22284-0	SPRING, DRAG	27
-	-	-	1	1	1	1	-	B	356835-1	LEVER, DRAG RELEASE	26
-	-	-	1	1	1	1	-	B	240792-1	DRAG, TERMINAL	25
-	-	-	1	1	1	1	-	D	1213870-1	GUIDE, STRIP (REAR)	24
-	-	-	1	1	1	1	-	A	690438-4	GUIDE, STRIP (FRONT)	23
-	-	-	1	1	1	1	-	B	690472-2	STRIPPER	22
-	-	-	-	-	-	-	-	-	-	-	21
-	-	-	-	-	-	-	-	A	679218-1	STRIPPER WIRE STOP ASSY	20
-	-	-	-	-	-	-	-	B	458949-1	STRIPPER	19
-	-	-	1	1	1	1	-	C	1320908-2	SPACER, STRIP GUIDE	18
1	-	-	1	-	-	-	-	C	679625-1	HOLDER, SHEAR (FRONT)	17
-	-	-	-	-	-	-	-	B	318563-1	GUARD, CHIP, FRONT	16
-	-	-	-	-	-	-	-	-	-	-	15
-	-	-	-	-	-	-	-	-	-	-	14
-	-	-	-	-	-	-	-	-	-	-	13
-	-	-	1	1	1	1	-	A	5-22280-0	SPRING, SHEAR	12
-	-	-	1	1	1	1	-	B	690461-1	STOP, SHEAR	11
-	1	-	-	1	1	1	-	C	690459-1	HOLDER, SHEAR (FRONT)	10
1	1	1	1	1	1	1	-	C	1-454276-9	SHEAR, FLOAT (FRONT)	9
1	1	1	1	1	1	1	-	C	2-1424534-8	ANVIL	8
-	-	-	1	1	1	1	-	C	5-240641-5	SPACER, DEPRESSOR (REAR)	7
-	-	-	-	-	-	-	-	-	-	-	6
-	-	-	1	1	1	1	-	C	1-455889-4	DEPRESSOR, SHEAR (FRONT)	5
-	-	-	1	1	1	1	-	B	238011-2	SPACER, BLOCK CRIMPER	4
1	1	1	1	1	1	1	-	C	3-1213077-3	CRIMPER, INSULATION	3
-	-	-	1	1	1	1	-	C	1-455888-8	SPACER, CRIMPER	2
1	1	1	1	1	1	1	-	C	7-1490019-9	CRIMPER, WIRE	1

REVISION OF EACH ASSY NO (WHEN BLANK, USE DWG REVISION)

QTY REQD PER ASSY	PARTS LIST	ITEM NO
-	-	15
-	-	14
-	-	13
-	-	12
-	-	11
-	-	10
-	-	9
-	-	8
-	-	7
-	-	6
-	-	5
-	-	4
-	-	3
-	-	2
-	-	1

DIMENSIONS IN INCHES. DO NOT SCALE PRINT. TOLERANCES UNLESS OTHERWISE SPECIFIED:

2 PLG DEC ±
3 PLG DEC ±
4 PLG DEC ±

ANGLES ±
SURF TEXTURE: ✓
REMOVE BURRS, BREAK SHARP EDGES R.015 MAX

DR	OBDECO4	APP	OSDECO4	Tyco Electronics Harrisburg, PA 17105-3608	
R.O.WILSON	T.ELBIN	AMP			
CHK	OBDECO4	REL	NAME		
R.O.WILSON	SIDE FEED HDM APPLICATOR				
SCALE	DWG NO	1385864	MACHINE REF	MINI-APPL	REV
-	-	-	1 OF 2	B	-

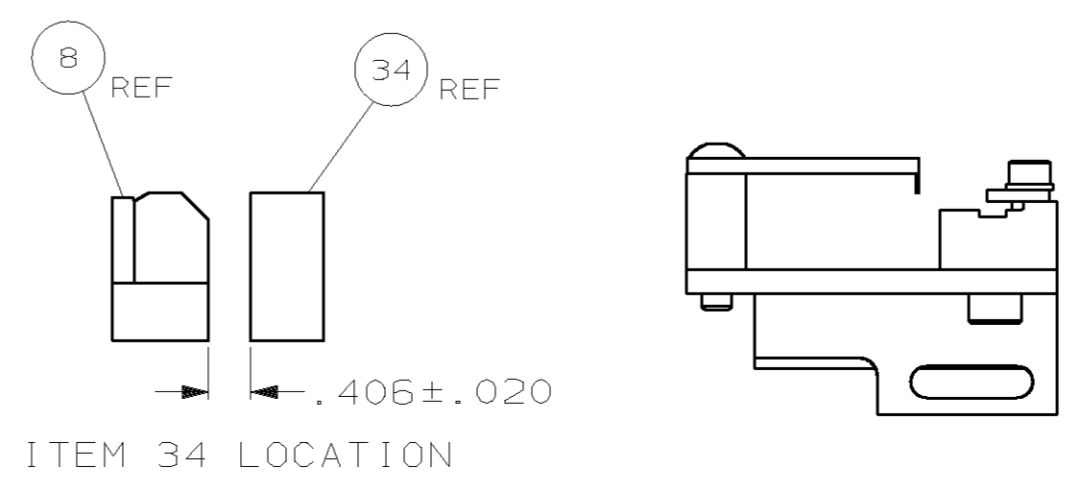
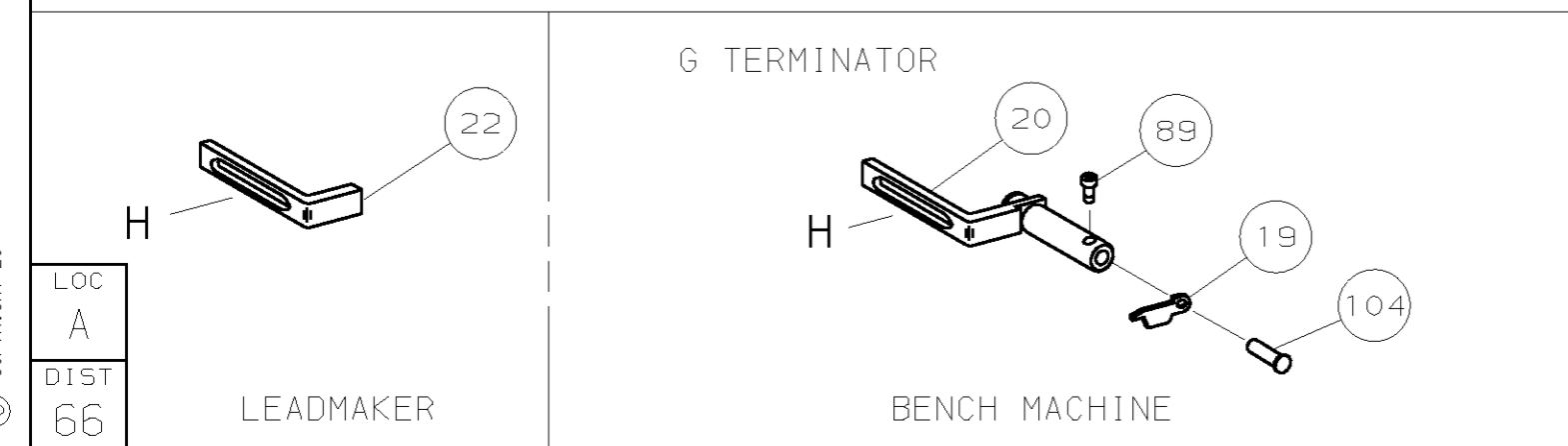
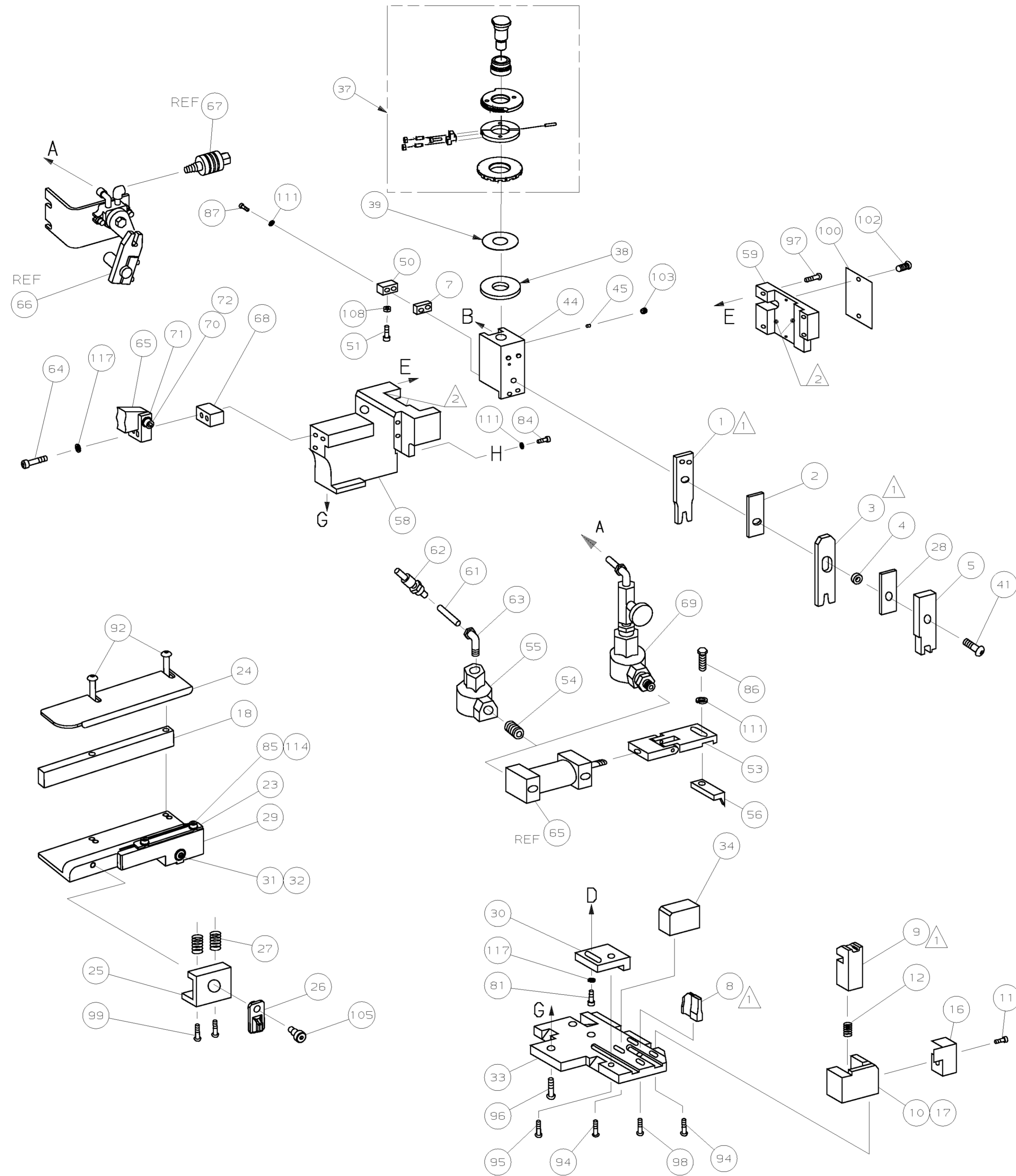
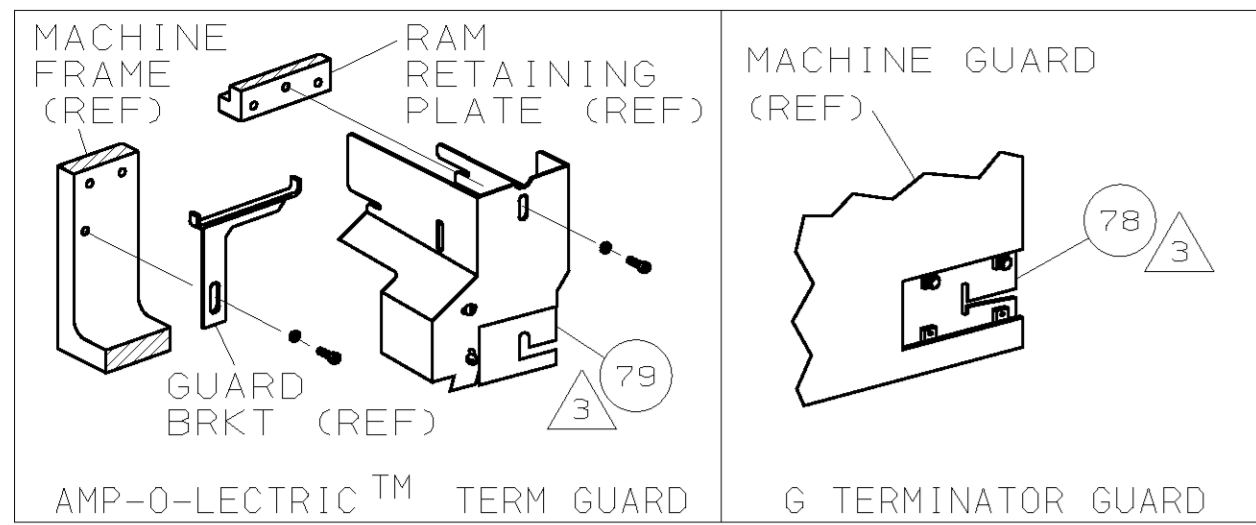
CASE CODE 00779 CUSTOMER AND ASSEMBLY DRAWING

THIS DRAWING IS A CONTROLLED DOCUMENT.

THIS DRAWING IS UNRELEASED. RELEASE FOR PUBLICATION ALL RIGHTS RESERVED.

LOC A
D1ST 66

1385864



SEE SHEET 1

P	F	LTR	REVISION RECORD	APP	DATE
---	---	-----	-----------------	-----	------

DWG SIZE	PART NO	DESCRIPTION	ITEM NO
← REVISION OF EACH ASSY NO (WHEN BLANK, USE DWG REVISION)			
QTY RECD PER ASSY		PARTS LIST	
MATL	HT TR	FIN	
DIMENSIONS IN INCHES. DO NOT SCALE PRINT. TOLERANCES UNLESS OTHERWISE SPECIFIED:			
DR	08DEC04	APP	09DEC04
R.O.WILSON		T.ELBIN	
2 PLC DEC ±			
3 PLC DEC ±			
4 PLC DEC ±			
ANGLES ±			
SURF TEXTURE:			
REMOVE BURRS, BREAK SHARP EDGES R.015 MAX			
SCALE	D	DWG NO	1385864
		SHEET	2 OF 2
		REV	B

AMP Tyco Electronics Harrisburg, PA 17105-3608

NAME SIDE FEED HDM APPLICATOR MACHINE REF MINI-APPL

CASE CODE 00779 CUSTOMER AND ASSEMBLY DRAWING RESTRICTED TO

THIS DRAWING IS A CONTROLLED DOCUMENT.

THIS DRAWING IS UNRELEASED. RELEASED FOR PUBLICATION. ALL RIGHTS RESERVED.

1385864

D

C

B

A

Mouser Electronics

Authorized Distributor

Click to View Pricing, Inventory, Delivery & Lifecycle Information:

[TE Connectivity:](#)

[9-1385864-5](#)