

**PLEASE CHECK WWW.MOLEX.COM FOR LATEST PART INFORMATION**

**Part Number:** [0621002200](#)  
**Status:** **Active**  
**Overview:** [Application Tooling](#)  
**Description:** Manual Press with IDT Ribbon Cable Tool Kit

**Documents:**

[RoHS Certificate of Compliance \(PDF\)](#)

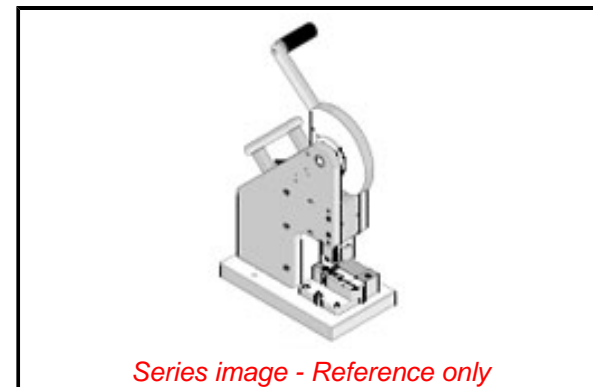
**General**

Product Family	Application Tooling
Series	<a href="#">207125</a>
Comments	See Tooling Specification (PDF) Above
Function	Crimp
Geographic Area	Global
Level of Automation	Manual
More Detailed Tech Information	<a href="mailto:applicationtooling@molex.com">applicationtooling@molex.com</a>
Overview	<a href="#">Application Tooling</a>
Product Name	N/A
Taxonomy	Crimp Presses and Crimp Hand T
Tool Type	Arbor Press
UPC	884982115606
Warranty Disclaimer	CAUTION: Molex tooling crimp specifications are valid only when used with Molex terminals and tooling manufactured by Molex and sold by Molex or authorized distributors ("Molex Tooling"). When using tooling other than Molex Tooling with Molex specific connector systems listed in our ATS documents, the Molex tooling qualification does not apply and the responsibility for full qualification of the connector system is that of the customer. Molex accepts no liability for connector performance or tooling support where tooling other than Molex Tooling is used or where Molex Tooling is modified.

**Material Info**

**Reference - Drawing Numbers**  
Application Tooling Documents

TM-621002200-001



*Series image - Reference only*

**EU ELV**

**Not Reviewed**

**EU RoHS**

**Not Reviewed**

**REACH SVHC**

Not Reviewed

**Halogen-Free**

**Status**

**Not Reviewed**

For more information, please visit [Contact US](#)

China ROHS

Not Reviewed

ELV

Not Reviewed

RoHS Phthalates

Not Reviewed

**Search Parts in this Series**

[207125 Series](#)

**Application Tooling** | **FAQ**  
**Description** | **Product #**

Milli-Grid Cable-to-Board Receptacle, Dual Row, IDT, Lead-Free, 10 Circuits, 0.38µm Gold (Au) Selective Plating, without Center Polarization Key and Locking Friction Ramp	<a href="#">875681063</a>
Milli-Grid Cable-to-Board Receptacle, Dual Row, IDT, Lead-Free, 10 Circuits, 0.76µm Gold (Au) Selective Plating, without Center Polarization Key and Locking Friction Ramp	<a href="#">875681064</a>
Milli-Grid Cable-to-Board Receptacle,	<a href="#">875681073</a>

Dual Row, IDT,  
Lead-Free, 10  
Circuits, 0.38 $\mu$ m  
Gold (Au) Selective  
Plating, without  
Center Polarization  
Key, with Locking  
Friction Ramp

Milli-Grid Cable-to-  
Board Receptacle, 875681074

Dual Row, IDT,  
Lead-Free, 10  
Circuits, 0.76 $\mu$ m  
Gold (Au) Selective  
Plating, without  
Center Polarization  
Key, with Locking  
Friction Ramp

Milli-Grid Cable-to-  
Board Receptacle, 875681263

Dual Row, IDT,  
Lead-Free, 12  
Circuits, 0.38 $\mu$ m  
Gold (Au) Selective  
Plating, without  
Center Polarization  
Key and Locking  
Friction Ramp

Milli-Grid Cable-to-  
Board Receptacle, 875681264

Dual Row, IDT,  
Lead-Free, 12  
Circuits, 0.76 $\mu$ m  
Gold (Au) Selective  
Plating, without  
Center Polarization  
Key and Locking  
Friction Ramp

Milli-Grid Cable-to-  
Board Receptacle, 875681273

Dual Row, IDT,  
Lead-Free, 12  
Circuits, 0.38 $\mu$ m  
Gold (Au) Selective  
Plating, without  
Center Polarization  
Key, with Locking  
Friction Ramp

Milli-Grid Cable-to-  
Board Receptacle, 875681274

Dual Row, IDT,  
Lead-Free, 12  
Circuits, 0.76 $\mu$ m  
Gold (Au) Selective  
Plating, without  
Center Polarization  
Key, with Locking  
Friction Ramp

Milli-Grid Cable-to-  
Board Receptacle, 875681443

Dual Row, IDT,  
Lead-Free, 14  
Circuits, 0.38 $\mu$ m  
Gold (Au) Selective  
Plating, with Center

Polarization Key,  
without Locking  
Friction Ramp  
Milli-Grid Cable-to- 875681444  
Board Receptacle,  
Dual Row, IDT,  
Lead-Free, 14  
Circuits, 0.76µm  
Gold (Au) Selective  
Plating, with Center  
Polarization Key,  
without Locking  
Friction Ramp  
Milli-Grid Cable-to- 875681463  
Board Receptacle,  
Dual Row, IDT,  
Lead-Free, 14  
Circuits, 0.38µm  
Gold (Au) Selective  
Plating, without  
Center Polarization  
Key and Locking  
Friction Ramp  
Milli-Grid Cable-to- 875681464  
Board Receptacle,  
Dual Row, IDT,  
Lead-Free, 14  
Circuits, 0.76µm  
Gold (Au) Selective  
Plating, without  
Center Polarization  
Key and Locking  
Friction Ramp  
MGrid IDT Rec W/ 875681483  
LRmp .38AuLF  
14Ckt  
MGrid IDT Rec W/ 875681484  
LRmp .76AuLF  
14Ckt  
Milli-Grid Cable-to- 875681493  
Board Receptacle,  
Dual Row, IDT,  
Lead-Free, 14  
Circuits, 0.38µm  
Gold (Au) Selective  
Plating, with Center  
Polarization Key  
and Locking Friction  
Ramp  
Milli-Grid Cable-to- 875681494  
Board Receptacle,  
Dual Row, IDT,  
Lead-Free, 14  
Circuits, 0.76µm  
Gold (Au) Selective  
Plating, with Center  
Polarization Key  
and Locking Friction  
Ramp  
Milli-Grid Cable-to- 875681643  
Board Receptacle,  
Dual Row, IDT,  
Lead-Free, 16  
Circuits, 0.38µm  
Gold (Au) Selective

Plating, with Center  
Polarization Key,  
without Locking  
Friction Ramp  
Milli-Grid Cable-to- 875681644  
Board Receptacle,  
Dual Row, IDT,  
Lead-Free, 16  
Circuits, 0.76µm  
Gold (Au) Selective  
Plating, with Center  
Polarization Key,  
without Locking  
Friction Ramp  
Milli-Grid Cable-to- 875681663  
Board Receptacle,  
Dual Row, IDT,  
Lead-Free, 16  
Circuits, 0.38µm  
Gold (Au) Selective  
Plating, without  
Center Polarization  
Key and Locking  
Friction Ramp  
Milli-Grid Cable-to- 875681664  
Board Receptacle,  
Dual Row, IDT,  
Lead-Free, 16  
Circuits, 0.76µm  
Gold (Au) Selective  
Plating, without  
Center Polarization  
Key and Locking  
Friction Ramp  
MGrid IDT Rec W/ 875681683  
LRmp .38AuLF  
16Ckt  
MGrid IDT Rec W/ 875681684  
LRmp .76AuLF  
16Ckt  
Milli-Grid Cable-to- 875681693  
Board Receptacle,  
Dual Row, IDT,  
Lead-Free, 16  
Circuits, 0.38µm  
Gold (Au) Selective  
Plating, with Center  
Polarization Key  
and Locking Friction  
Ramp  
Milli-Grid Cable-to- 875681694  
Board Receptacle,  
Dual Row, IDT,  
Lead-Free, 16  
Circuits, 0.76µm  
Gold (Au) Selective  
Plating, with Center  
Polarization Key  
and Locking Friction  
Ramp  
Milli-Grid Cable-to- 875682043  
Board Receptacle,  
Dual Row, IDT,  
Lead-Free, 20  
Circuits, 0.38µm

Gold (Au) Selective  
Plating, with Center  
Polarization Key,  
without Locking  
Friction Ramp

Milli-Grid Cable-to- 875682044  
Board Receptacle,  
Dual Row, IDT,  
Lead-Free, 20  
Circuits, 0.76 $\mu$ m

Gold (Au) Selective  
Plating, with Center  
Polarization Key,  
without Locking  
Friction Ramp

Milli-Grid Cable-to- 875682063  
Board Receptacle,  
Dual Row, IDT,  
Lead-Free, 20  
Circuits, 0.38 $\mu$ m

Gold (Au) Selective  
Plating, without  
Center Polarization  
Key and Locking  
Friction Ramp

Milli-Grid Cable-to- 875682064  
Board Receptacle,  
Dual Row, IDT,  
Lead-Free, 20  
Circuits, 0.76 $\mu$ m

Gold (Au) Selective  
Plating, without  
Center Polarization  
Key and Locking  
Friction Ramp

MGrid IDT Rec W/ 875682083  
LRmp .38AuLF  
20Ckt

MGrid IDT Rec W/ 875682084  
LRmp .76AuLF  
20Ckt

Milli-Grid Cable-to- 875682093  
Board Receptacle,  
Dual Row, IDT,  
Lead-Free, 20  
Circuits, 0.38 $\mu$ m

Gold (Au) Selective  
Plating, with Center  
Polarization Key  
and Locking Friction  
Ramp

Milli-Grid Cable-to- 875682094  
Board Receptacle,  
Dual Row, IDT,  
Lead-Free, 20  
Circuits, 0.76 $\mu$ m

Gold (Au) Selective  
Plating, with Center  
Polarization Key  
and Locking Friction  
Ramp

Milli-Grid Cable-to- 875682243  
Board Receptacle,  
Dual Row, IDT,  
Lead-Free, 22

Circuits, 0.38 $\mu$ m  
Gold (Au) Selective  
Plating, with Center  
Polarization Key,  
without Locking  
Friction Ramp  
Milli-Grid Cable-to- 875682244  
Board Receptacle,  
Dual Row, IDT,  
Lead-Free, 22  
Circuits, 0.76 $\mu$ m  
Gold (Au) Selective  
Plating, with Center  
Polarization Key,  
without Locking  
Friction Ramp  
Milli-Grid Cable-to- 875682263  
Board Receptacle,  
Dual Row, IDT,  
Lead-Free, 22  
Circuits, 0.38 $\mu$ m  
Gold (Au) Selective  
Plating, without  
Center Polarization  
Key and Locking  
Friction Ramp  
Milli-Grid Cable-to- 875682264  
Board Receptacle,  
Dual Row, IDT,  
Lead-Free, 22  
Circuits, 0.76 $\mu$ m  
Gold (Au) Selective  
Plating, without  
Center Polarization  
Key and Locking  
Friction Ramp  
MGrid IDT Rec W/ 875682283  
LRmp .38AuLF  
22Ckt  
MGrid IDT Rec W/ 875682284  
LRmp .76AuLF  
22Ckt  
Milli-Grid Cable-to- 875682293  
Board Receptacle,  
Dual Row, IDT,  
Lead-Free, 22  
Circuits, 0.38 $\mu$ m  
Gold (Au) Selective  
Plating, with Center  
Polarization Key  
and Locking Friction  
Ramp  
Milli-Grid Cable-to- 875682294  
Board Receptacle,  
Dual Row, IDT,  
Lead-Free, 22  
Circuits, 0.76 $\mu$ m  
Gold (Au) Selective  
Plating, with Center  
Polarization Key  
and Locking Friction  
Ramp  
Milli-Grid Cable-to- 875682443  
Board Receptacle,  
Dual Row, IDT,

Lead-Free, 24  
Circuits, 0.38µm  
Gold (Au) Selective  
Plating, with Center  
Polarization Key,  
without Locking  
Friction Ramp  
Milli-Grid Cable-to- 875682444  
Board Receptacle,  
Dual Row, IDT,  
Lead-Free, 24  
Circuits, 0.76µm  
Gold (Au) Selective  
Plating, with Center  
Polarization Key,  
without Locking  
Friction Ramp  
Milli-Grid Cable-to- 875682463  
Board Receptacle,  
Dual Row, IDT,  
Lead-Free, 24  
Circuits, 0.38µm  
Gold (Au) Selective  
Plating, without  
Center Polarization  
Key and Locking  
Friction Ramp  
Milli-Grid Cable-to- 875682464  
Board Receptacle,  
Dual Row, IDT,  
Lead-Free, 24  
Circuits, 0.76µm  
Gold (Au) Selective  
Plating, without  
Center Polarization  
Key and Locking  
Friction Ramp  
MGrid IDT Rec W/ 875682483  
LRmp .38AuLF  
24Ckt  
MGrid IDT Rec W/ 875682484  
LRmp .76AuLF  
24Ckt  
Milli-Grid Cable-to- 875682493  
Board Receptacle,  
Dual Row, IDT,  
Lead-Free, 24  
Circuits, 0.38µm  
Gold (Au) Selective  
Plating, with Center  
Polarization Key  
and Locking Friction  
Ramp  
Milli-Grid Cable-to- 875682494  
Board Receptacle,  
Dual Row, IDT,  
Lead-Free, 24  
Circuits, 0.76µm  
Gold (Au) Selective  
Plating, with Center  
Polarization Key  
and Locking Friction  
Ramp  
Milli-Grid Cable-to- 875682643  
Board Receptacle,

Dual Row, IDT,  
Lead-Free, 26  
Circuits, 0.38 $\mu$ m  
Gold (Au) Selective  
Plating, with Center  
Polarization Key,  
without Locking  
Friction Ramp

Milli-Grid Cable-to- 875682644

Board Receptacle,  
Dual Row, IDT,  
Lead-Free, 26  
Circuits, 0.76 $\mu$ m  
Gold (Au) Selective  
Plating, with Center  
Polarization Key,  
without Locking

Friction Ramp

Milli-Grid Cable-to- 875682663

Board Receptacle,  
Dual Row, IDT,  
Lead-Free, 26  
Circuits, 0.38 $\mu$ m  
Gold (Au) Selective  
Plating, without  
Center Polarization  
Key and Locking

Friction Ramp

Milli-Grid Cable-to- 875682664

Board Receptacle,  
Dual Row, IDT,  
Lead-Free, 26  
Circuits, 0.76 $\mu$ m  
Gold (Au) Selective  
Plating, without  
Center Polarization  
Key and Locking

Friction Ramp

MGrid IDT Rec W/ 875682683

LRmp .38AuLF  
26Ckt

MGrid IDT Rec W/ 875682684

LRmp .76AuLF  
26Ckt

Milli-Grid Cable-to- 875682693

Board Receptacle,  
Dual Row, IDT,  
Lead-Free, 26  
Circuits, 0.38 $\mu$ m  
Gold (Au) Selective  
Plating, with Center  
Polarization Key  
and Locking Friction

Ramp

Milli-Grid Cable-to- 875682694

Board Receptacle,  
Dual Row, IDT,  
Lead-Free, 26  
Circuits, 0.76 $\mu$ m  
Gold (Au) Selective  
Plating, with Center  
Polarization Key  
and Locking Friction

Ramp



Milli-Grid Cable-to-Board Receptacle, Dual Row, IDT, Lead-Free, 30 Circuits, 0.38µm Gold (Au) Selective Plating, with Center Polarization Key, without Locking Friction Ramp	<u>875683043</u>
Milli-Grid Cable-to-Board Receptacle, Dual Row, IDT, Lead-Free, 30 Circuits, 0.76µm Gold (Au) Selective Plating, with Center Polarization Key, without Locking Friction Ramp	<u>875683044</u>
Milli-Grid Cable-to-Board Receptacle, Dual Row, IDT, Lead-Free, 30 Circuits, 0.38µm Gold (Au) Selective Plating, without Center Polarization Key and Locking Friction Ramp	<u>875683063</u>
Milli-Grid Cable-to-Board Receptacle, Dual Row, IDT, Lead-Free, 30 Circuits, 0.76µm Gold (Au) Selective Plating, without Center Polarization Key and Locking Friction Ramp	<u>875683064</u>
MGrid IDT Rec W/ LRmp .38AuLF 30Ckt	<u>875683083</u>
MGrid IDT Rec W/ LRmp .76AuLF 30Ckt	<u>875683084</u>
Milli-Grid Cable-to-Board Receptacle, Dual Row, IDT, Lead-Free, 30 Circuits, 0.38µm Gold (Au) Selective Plating, with Center Polarization Key and Locking Friction Ramp	<u>875683093</u>
Milli-Grid Cable-to-Board Receptacle, Dual Row, IDT, Lead-Free, 30 Circuits, 0.76µm Gold (Au) Selective Plating, with Center Polarization Key	<u>875683094</u>

and Locking Friction  
Ramp

Milli-Grid Cable-to- 875683443  
Board Receptacle,  
Dual Row, IDT,  
Lead-Free, 34  
Circuits, 0.38 $\mu$ m  
Gold (Au) Selective  
Plating, with Center  
Polarization Key,  
without Locking  
Friction Ramp

Milli-Grid Cable-to- 875683444  
Board Receptacle,  
Dual Row, IDT,  
Lead-Free, 34  
Circuits, 0.76 $\mu$ m  
Gold (Au) Selective  
Plating, with Center  
Polarization Key,  
without Locking  
Friction Ramp

Milli-Grid Cable-to- 875683463  
Board Receptacle,  
Dual Row, IDT,  
Lead-Free, 34  
Circuits, 0.38 $\mu$ m  
Gold (Au) Selective  
Plating, without  
Center Polarization  
Key and Locking  
Friction Ramp

Milli-Grid Cable-to- 875683464  
Board Receptacle,  
Dual Row, IDT,  
Lead-Free, 34  
Circuits, 0.76 $\mu$ m  
Gold (Au) Selective  
Plating, without  
Center Polarization  
Key and Locking  
Friction Ramp

MGrid IDT Rec W/ 875683483  
LRmp .38AuLF  
34Ckt

MGrid IDT Rec W/ 875683484  
LRmp .76AuLF  
34Ckt

Milli-Grid Cable-to- 875683493  
Board Receptacle,  
Dual Row, IDT,  
Lead-Free, 34  
Circuits, 0.38 $\mu$ m  
Gold (Au) Selective  
Plating, with Center  
Polarization Key  
and Locking Friction  
Ramp

Milli-Grid Cable-to- 875683494  
Board Receptacle,  
Dual Row, IDT,  
Lead-Free, 34  
Circuits, 0.76 $\mu$ m  
Gold (Au) Selective  
Plating, with Center

Polarization Key  
and Locking Friction  
Ramp

MGrid IDT Rec / 875683643  
PolKey .38AuLF  
36Ckt

MGrid IDT Rec / 875683644  
PolKey .76AuLF  
36Ckt

MGrid IDT Rec O/ 875683663  
PolKeyLRmp .38AuLF  
36Ckt

MGrid IDT Rec O/ 875683664  
PolKeyLRmp .76AuLF  
36Ckt

MGrid IDT Rec W/ 875683694  
PolKeyLRmp .76AuLF  
36Ckt

Milli-Grid Cable-to- 875684043  
Board Receptacle,  
Dual Row, IDT,  
Lead-Free, 40  
Circuits, 0.38 $\mu$ m  
Gold (Au) Selective  
Plating, with Center  
Polarization Key,  
without Locking  
Friction Ramp

Milli-Grid Cable-to- 875684044  
Board Receptacle,  
Dual Row, IDT,  
Lead-Free, 40  
Circuits, 0.76 $\mu$ m  
Gold (Au) Selective  
Plating, with Center  
Polarization Key,  
without Locking  
Friction Ramp

Milli-Grid Cable-to- 875684063  
Board Receptacle,  
Dual Row, IDT,  
Lead-Free, 40  
Circuits, 0.38 $\mu$ m  
Gold (Au) Selective  
Plating, without  
Center Polarization  
Key and Locking  
Friction Ramp

Milli-Grid Cable-to- 875684064  
Board Receptacle,  
Dual Row, IDT,  
Lead-Free, 40  
Circuits, 0.76 $\mu$ m  
Gold (Au) Selective  
Plating, without  
Center Polarization  
Key and Locking  
Friction Ramp

MGrid IDT Rec W/ 875684083  
LRmp .38AuLF  
40Ckt

MGrid IDT Rec W/ 875684084  
LRmp .76AuLF  
40Ckt

Milli-Grid Cable-to- 875684093  
Board Receptacle,  
Dual Row, IDT,  
Lead-Free, 40  
Circuits, 0.38 $\mu$ m  
Gold (Au) Selective  
Plating, with Center  
Polarization Key  
and Locking Friction  
Ramp

Milli-Grid Cable-to- 875684094  
Board Receptacle,  
Dual Row, IDT,  
Lead-Free, 40  
Circuits, 0.76 $\mu$ m  
Gold (Au) Selective  
Plating, with Center  
Polarization Key  
and Locking Friction  
Ramp

Milli-Grid Cable-to- 875684443  
Board Receptacle,  
Dual Row, IDT,  
Lead-Free, 44  
Circuits, 0.38 $\mu$ m  
Gold (Au) Selective  
Plating, with Center  
Polarization Key,  
without Locking  
Friction Ramp

Milli-Grid Cable-to- 875684444  
Board Receptacle,  
Dual Row, IDT,  
Lead-Free, 44  
Circuits, 0.76 $\mu$ m  
Gold (Au) Selective  
Plating, with Center  
Polarization Key,  
without Locking  
Friction Ramp

Milli-Grid Cable-to- 875684463  
Board Receptacle,  
Dual Row, IDT,  
Lead-Free, 44  
Circuits, 0.38 $\mu$ m  
Gold (Au) Selective  
Plating, without  
Center Polarization  
Key and Locking  
Friction Ramp

Milli-Grid Cable-to- 875684464  
Board Receptacle,  
Dual Row, IDT,  
Lead-Free, 44  
Circuits, 0.76 $\mu$ m  
Gold (Au) Selective  
Plating, without  
Center Polarization  
Key and Locking  
Friction Ramp

MGrid IDT Rec W/ 875684483  
LRmp .38AuLF  
44Ckt

MGrid IDT Rec W/ LRmp .76AuLF 44Ckt	<a href="#"><u>875684484</u></a>
Milli-Grid Cable-to- Board Receptacle, Dual Row, IDT, Lead-Free, 44 Circuits, 0.38µm Gold (Au) Selective Plating, with Center Polarization Key and Locking Friction Ramp	<a href="#"><u>875684493</u></a>
Milli-Grid Cable-to- Board Receptacle, Dual Row, IDT, Lead-Free, 44 Circuits, 0.76µm Gold (Au) Selective Plating, with Center Polarization Key and Locking Friction Ramp	<a href="#"><u>875684494</u></a>
Milli-Grid Cable-to- Board Receptacle, Dual Row, IDT, Lead-Free, 50 Circuits, 0.38µm Gold (Au) Selective Plating, with Center Polarization Key, without Locking Friction Ramp	<a href="#"><u>875685043</u></a>
Milli-Grid Cable-to- Board Receptacle, Dual Row, IDT, Lead-Free, 50 Circuits, 0.76µm Gold (Au) Selective Plating, with Center Polarization Key, without Locking Friction Ramp	<a href="#"><u>875685044</u></a>
Milli-Grid Cable-to- Board Receptacle, Dual Row, IDT, Lead-Free, 50 Circuits, 0.38µm Gold (Au) Selective Plating, without Center Polarization Key and Locking Friction Ramp	<a href="#"><u>875685063</u></a>
Milli-Grid Cable-to- Board Receptacle, Dual Row, IDT, Lead-Free, 50 Circuits, 0.76µm Gold (Au) Selective Plating, without Center Polarization Key and Locking Friction Ramp	<a href="#"><u>875685064</u></a>

MGrid IDT Rec W/ LRmp .38AuLF 50Ckt	<u>875685083</u>
MGrid IDT Rec W/ LRmp .76AuLF 50Ckt	<u>875685084</u>
Milli-Grid Cable-to- Board Receptacle, Dual Row, IDT, Lead-Free, 50 Circuits, 0.38µm Gold (Au) Selective Plating, with Center Polarization Key and Locking Friction Ramp	<u>875685093</u>
Milli-Grid Cable-to- Board Receptacle, Dual Row, IDT, Lead-Free, 50 Circuits, 0.76µm Gold (Au) Selective Plating, with Center Polarization Key and Locking Friction Ramp	<u>875685094</u>

This document was generated on 08/26/2022

**PLEASE CHECK [WWW.MOLEX.COM](http://WWW.MOLEX.COM) FOR LATEST PART INFORMATION**