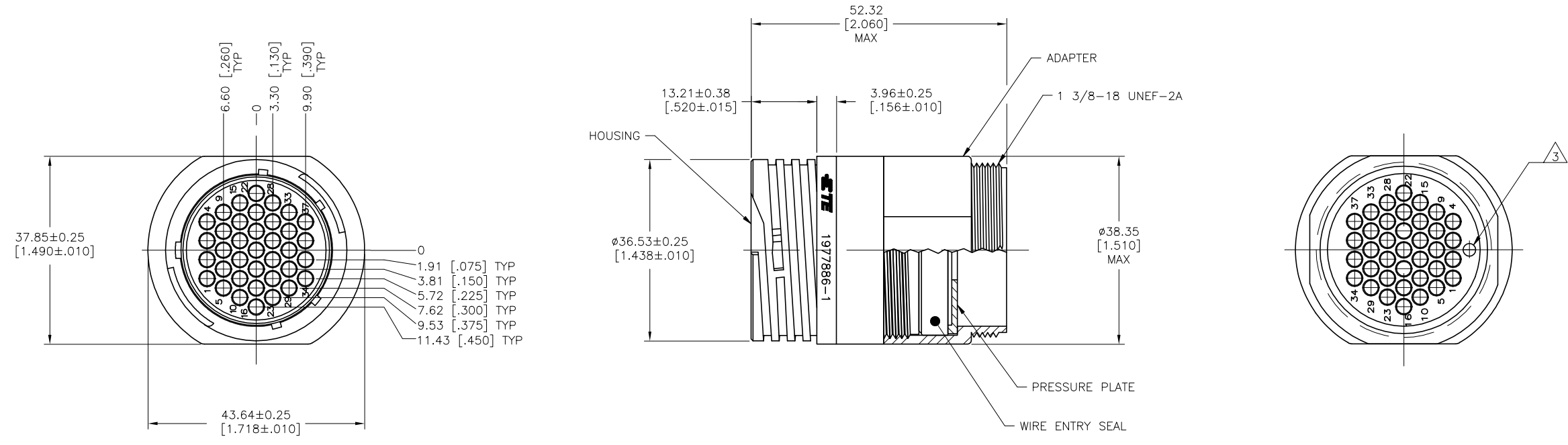


THIS DRAWING IS UNPUBLISHED. RELEASED FOR PUBLICATION  
 © COPYRIGHT - By - ALL RIGHTS RESERVED.

REVISIONS				
REV	DATE	BY	CHK	APPD
A	08NOV12	KH	MZ	
B	06AUG2019	RS	MZ	

- 1 ADAPTER AND HOUSING: NYLON, BLACK.  
 WIRE ENTRY SEAL: ELASTOMER, RED-IRON OXIDE.  
 PERIPHERAL SEAL: ELASTOMER, BLACK.
- 2 CONNECTOR WILL ACCEPT (37) MULTIMATE PIN CONTACTS.
- 3 ORIENTATION HOLE USED IN THE MANUFACTURING PROCESS ONLY.  
 THIS HOLE IS NOT INTENDED FOR WIRE INSERTION.



1977886-1  
 PART NUMBER

THIS DRAWING IS A CONTROLLED DOCUMENT.		DWN: KIRAN HOLAL 08NOV12	TE Connectivity	NAME: CPC FREE HANGING RECEPTACLE ASSEMBLY, SERIES 1, SEALED, 23-37, STANDARD SEX, UV RESISTANT	
DIMENSIONS: mm [INCHES]		CHK: M ZITTO 08NOV12		APVD: M ZITTO 08NOV12	SIZE: A1
TOLERANCES UNLESS OTHERWISE SPECIFIED:		APPLIC: 108-1579		WEIGHT: -	SCALE: 2:1
0 PLC ± - 1 PLC ± - 2 PLC ± 0.13(.005) 3 PLC ± - 4 PLC ± - ANGLES ± -		MATERIAL: -		CAGE CODE: 00779	DRAWING NO: 1977886
FINISH: -		CUSTOMER DRAWING		SHEET: 1 of 1	REV: B