

4

3

2

1

THIS DRAWING IS UNPUBLISHED.

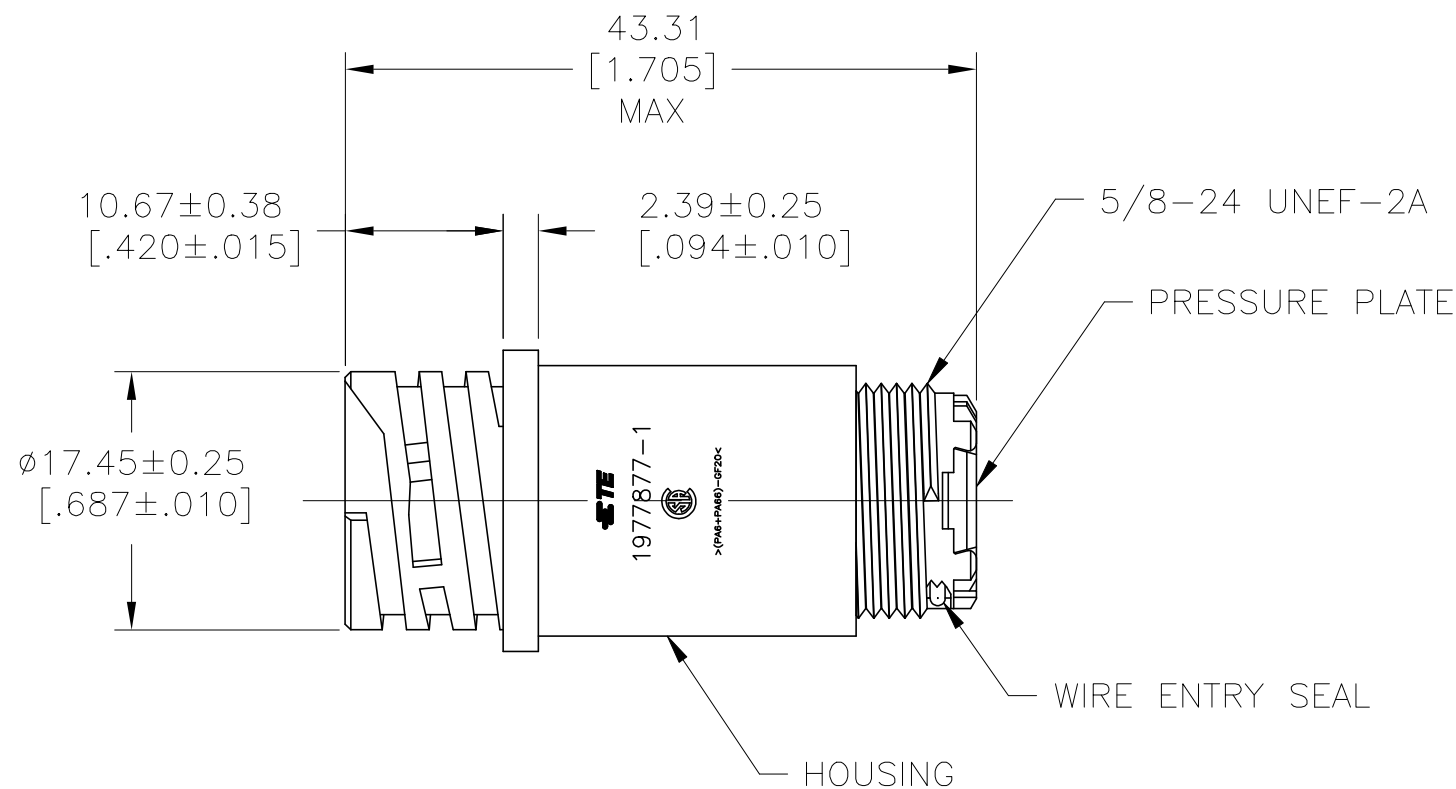
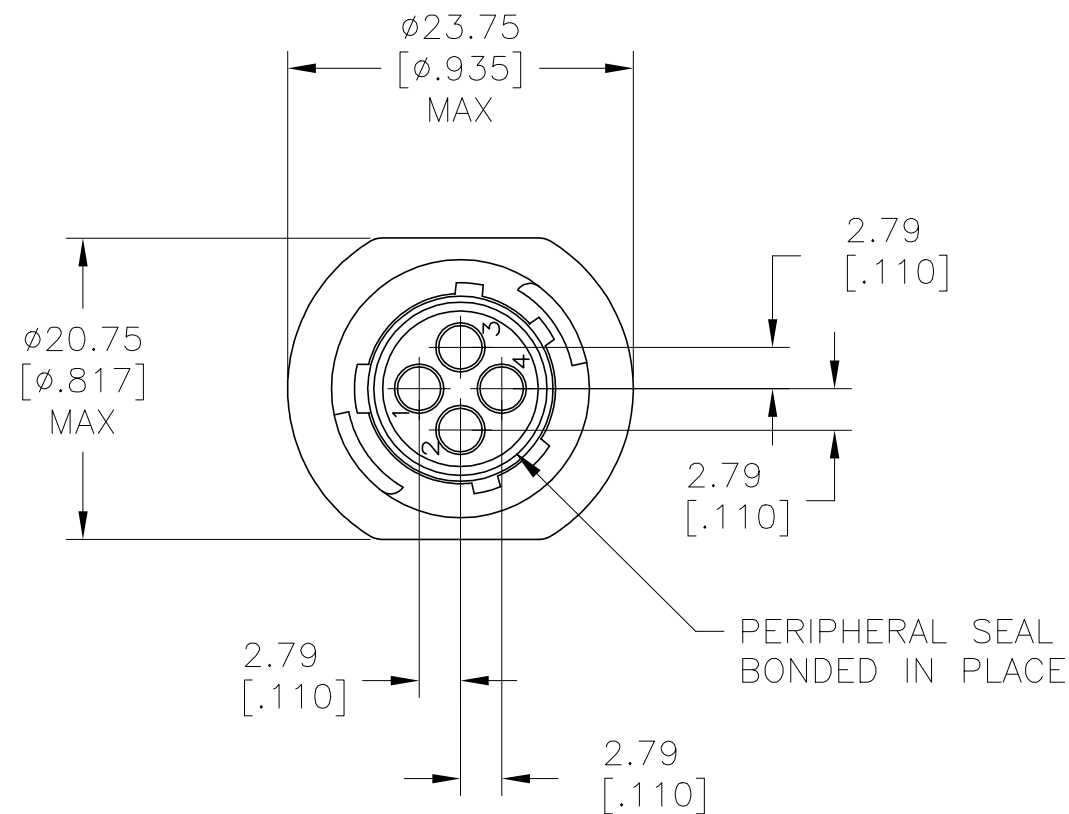
RELEASED FOR PUBLICATION

ALL RIGHTS RESERVED.

© COPYRIGHT - By -

REVISIONS

P	LTR	DESCRIPTION	DATE	DWN	APVD
A		NEW DRAWING PER ECO-12-018480	08NOV12	KH	MZ
B		REVISED PER ECO-19-011232	06AUG2019	RS	MZ



PERIPHERAL SEAL BONDED IN PLACE

HOUSING

WIRE ENTRY SEAL

PRESSURE PLATE

5/8-24 UNEF-2A

1 THIS PART WILL ACCEPT FOUR (4) MULTIMATE PIN CONTACTS.



HOUSING AND PRESSURE PLATE: NYLON, BLACK.
PERIPHERAL SEAL: ELASTOMER, BLACK.
WIRE ENTRY SEAL: ELASTOMER, RED-IRON OXIDE.

1977877-1

PART NUMBER

THIS DRAWING IS A CONTROLLED DOCUMENT.		DWN KIRAN HOLAL 08NOV12	TE Connectivity	
		CHK M ZITTO 08NOV12		
DIMENSIONS: mm [INCHES]	TOLERANCES UNLESS OTHERWISE SPECIFIED:	APVD M ZITTO 08NOV12	NAME CPC FREE HANGING RECEPTACLE ASSEMBLY,SERIES 1, SEALED,11-4, STANDARD SEX, UV RESISTANT	
	0 PLC ± - 1 PLC ± - 2 PLC ± 0.13 [.005] 3 PLC ± - 4 PLC ± - ANGLES ± -	PRODUCT SPEC -	SIZE A3	
MATERIAL 	FINISH -	APPLICATION SPEC -	CAGE CODE 00779	DRAWING NO C=1977877
		WEIGHT -	RESTRICTED TO -	
CUSTOMER DRAWING			SCALE 2:1	SHEET 1 OF 1
			REV B	