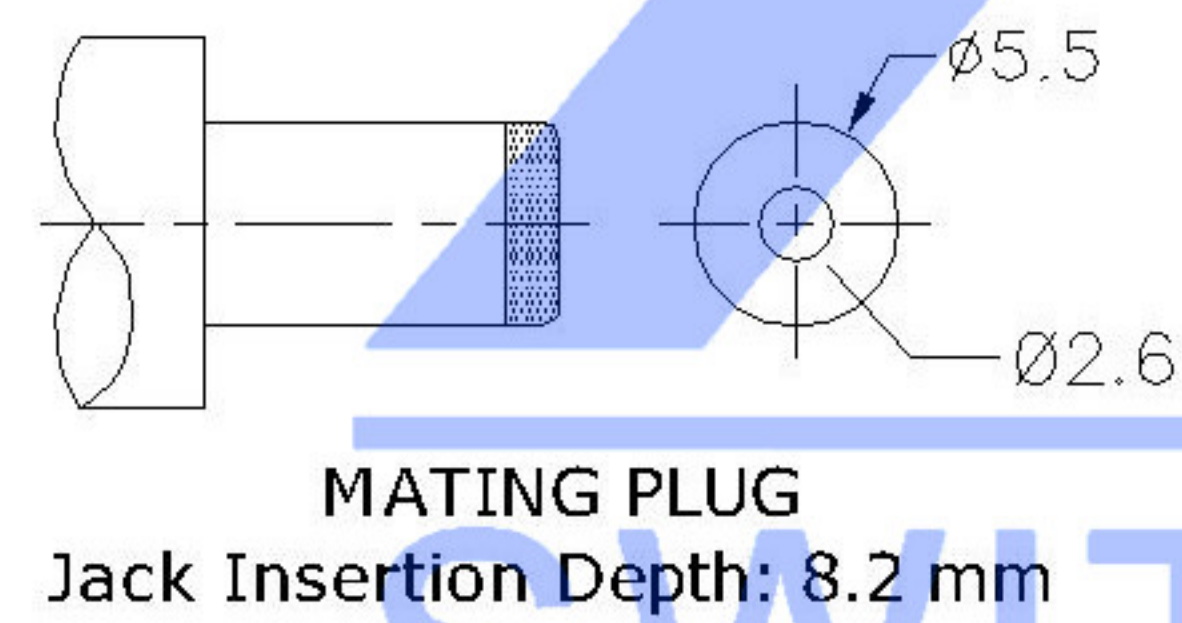
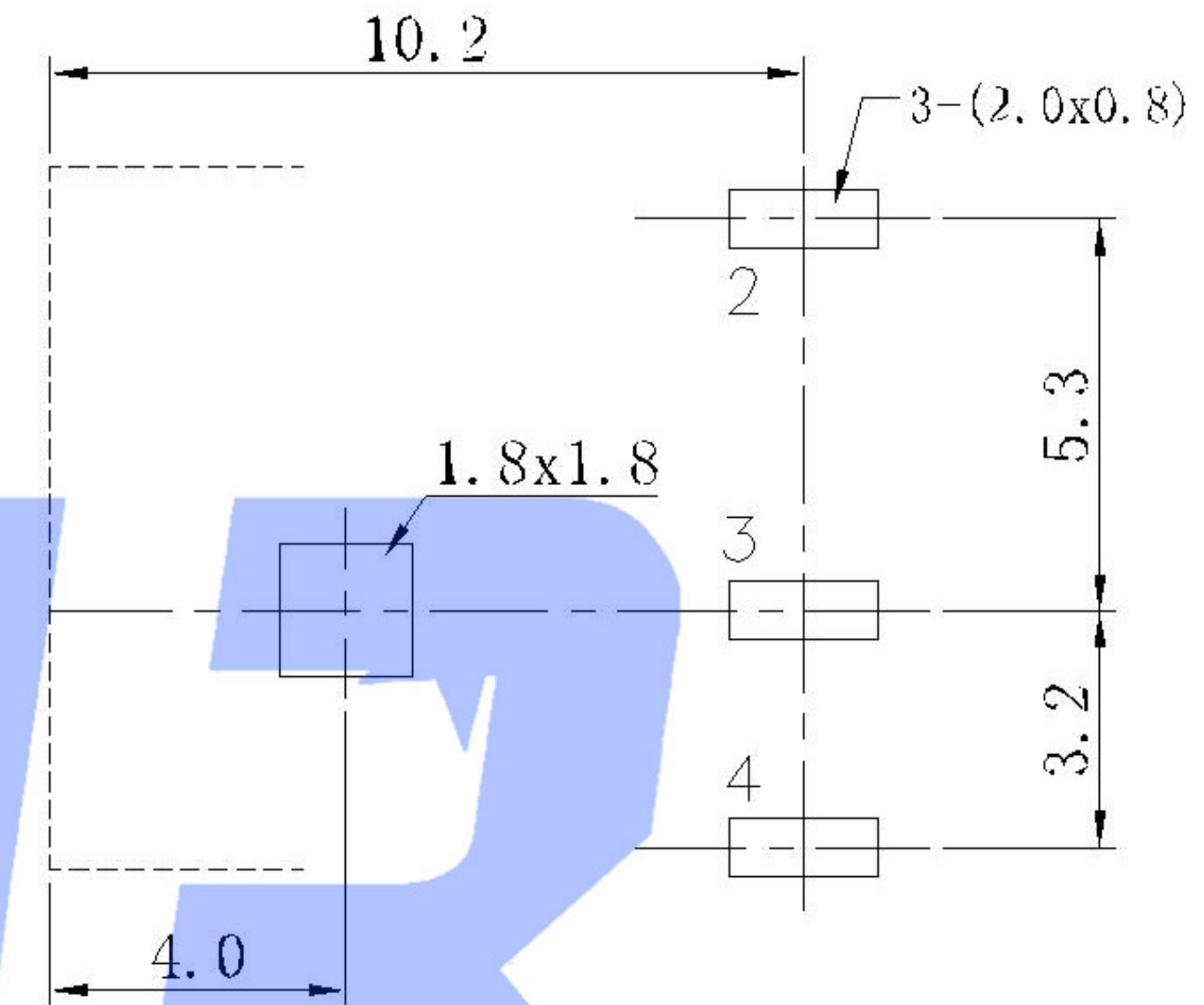


P. C. B LAYOUT
TOP VIEW



SCHEMATIC	
Model	DC-0440-2.5A
Center Pin	Ø1.65 mm
	Ø2.0 mm
	Ø2.5 mm

	MATERIAL	PLATING
center pin	Brass	silver
terminal 1	Brass	silver
terminal 2	Phosphor Bronze	silver
terminal 3	Brass	silver
plastic	Pbt	

MARK	DESCRIPTION	DATE	REVISED	APPROVED	UNSPECIFIED TOLERANCES	DSND	DATE	SCALE: N/A	MODEL TYPE: DC POWER JACK
ΔX					ANGLAR ±5°	DWN	DATE	VIEW:	PART NO.:
ΔX					X.X ±0.2mm	CHKD	DATE	UNIT: mm	DWG NO.:
ΔX					X.XX ±0.1mm	APPD	DATE	SIZE: A4	DC-0440-2.5A-2.5
					X.XXX ±0.05mm				WEIGHT SHEET REVISION
									1.0g 1/1 A0
REVISIONS						XKB INDUSTRIAL PRECISION CO.,LIMITED			
www.xk-dg.cn www.helloxkb.com www.helloxkb.cn									