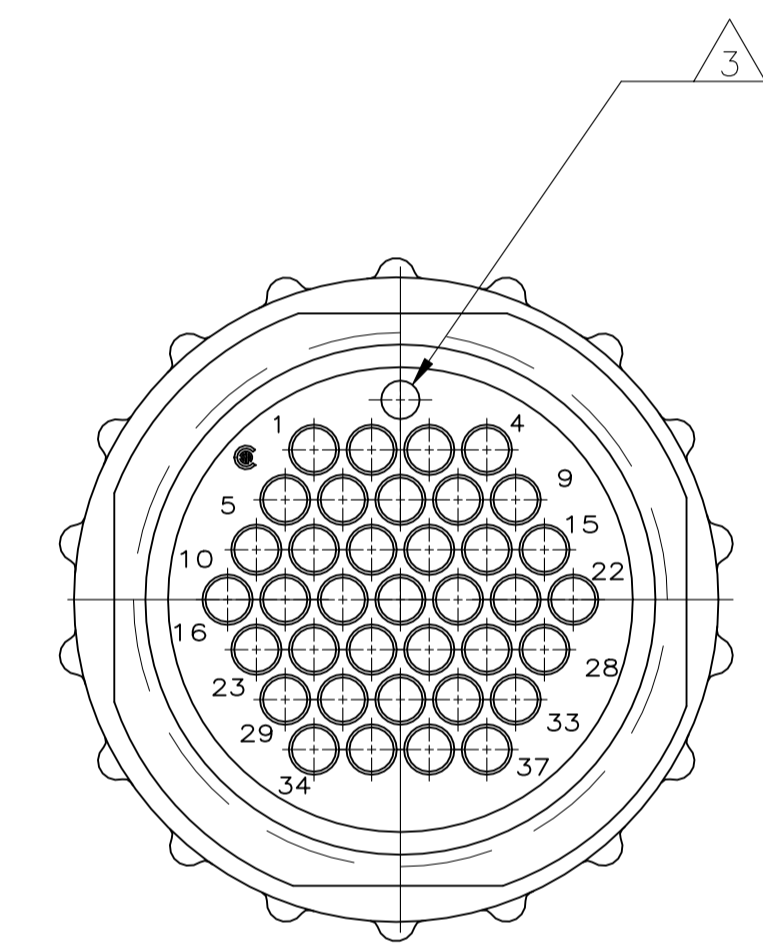
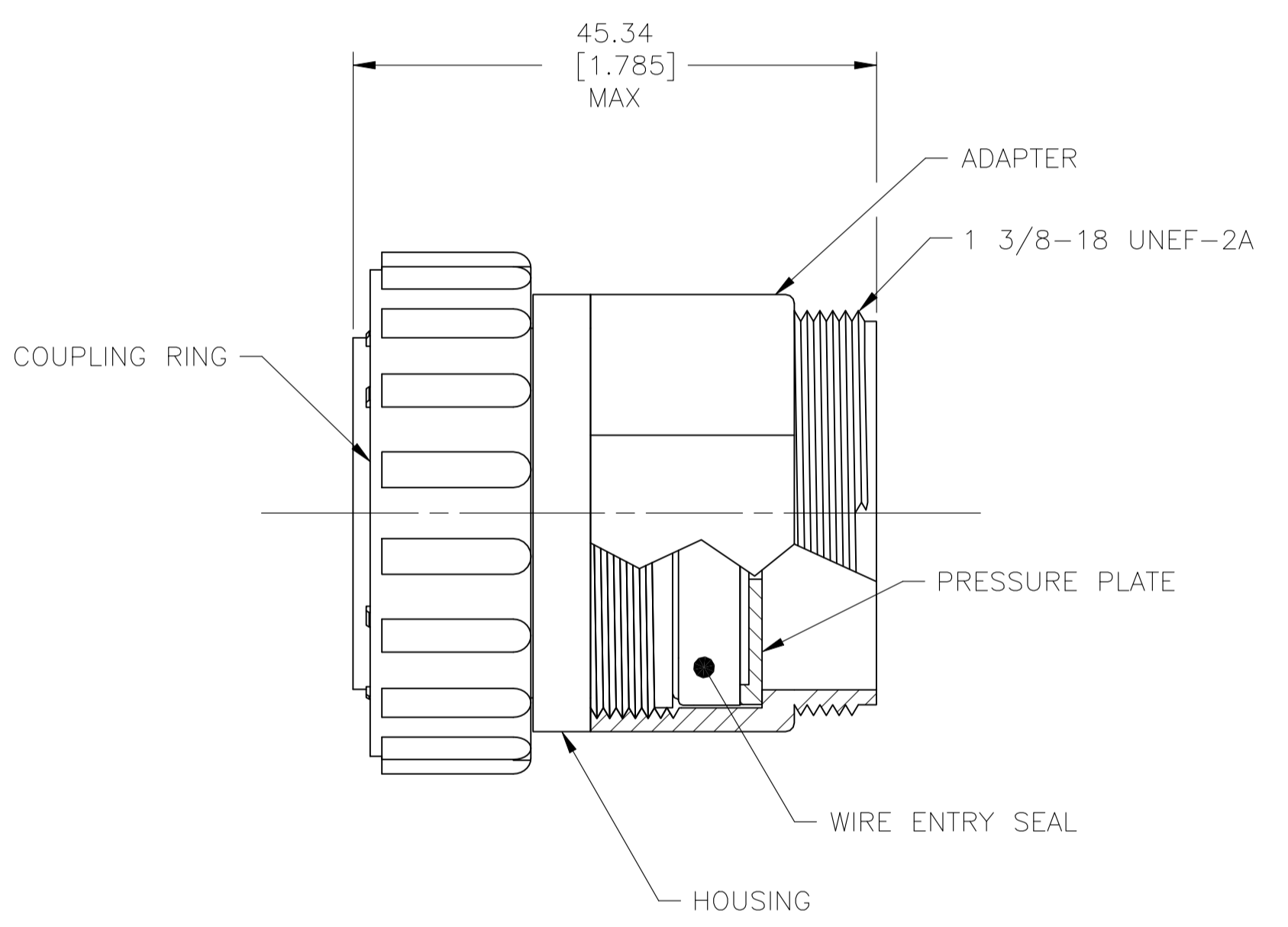
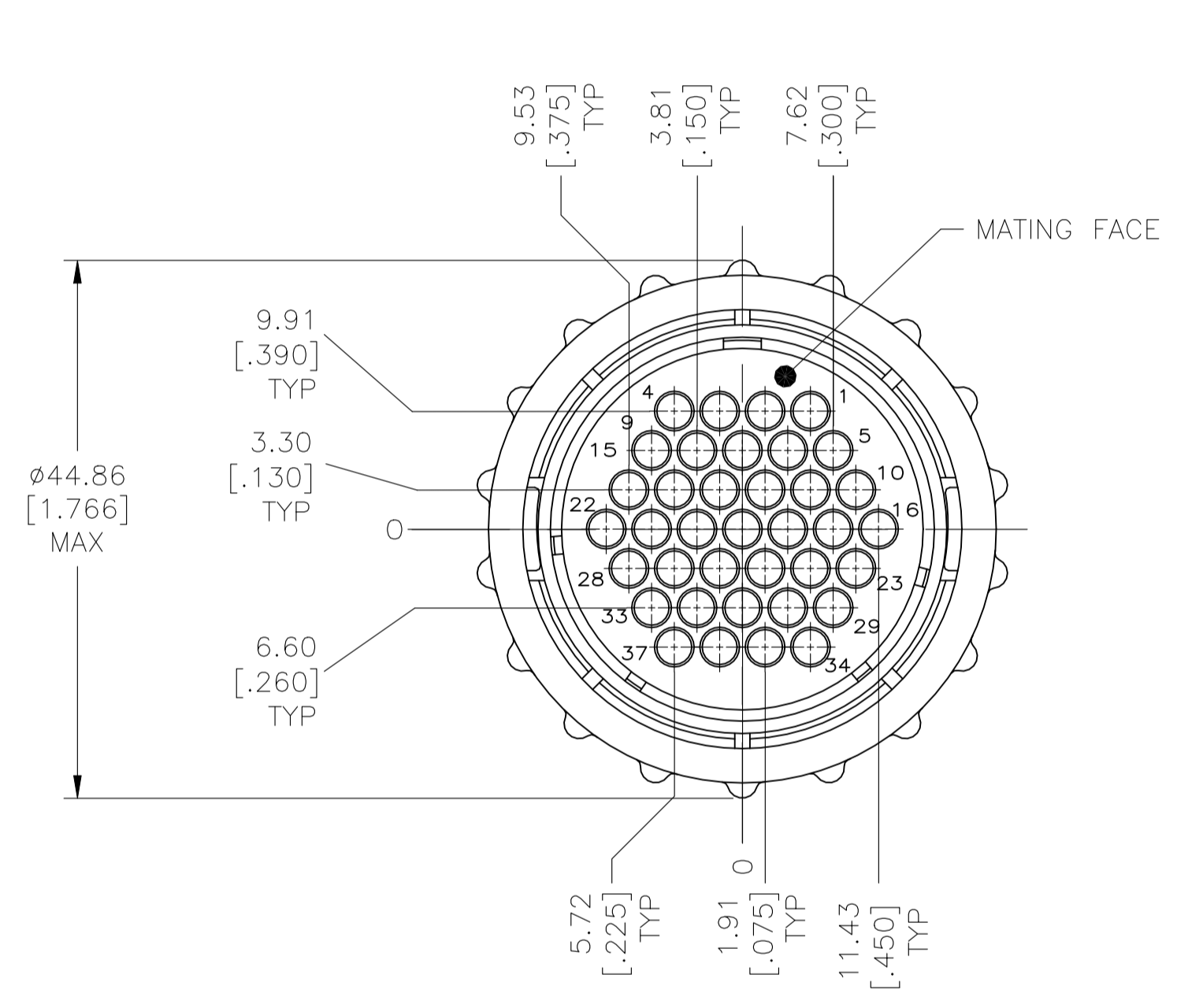


REVISIONS					
REV	DATE	DESCRIPTION	BY	CHK	APP'D
B	19OCT2022	ECN-22-180148	RK	MZ	

- 1 COUPLING RING: PPOLYESTER, BLACK.
ADAPTER, HOUSING AND PRESSURE PLATE: NYLON, BLACK.
WIRE ENTRY SEAL: ELASTOMER, RED-IRON OXIDE.
- 2 CONNECTOR WILL ACCEPT (37) MULTIMATE SOCKET CONTACTS.
- 3 ORIENTATION HOLE USED IN THE MANUFACTURING PROCESS ONLY.
THIS HOLE IS NOT INTENDED FOR WIRE INSERTION.



1977887-1
PART NUMBER

THIS DRAWING IS A CONTROLLED DOCUMENT.		DWG: KIRAN HOLAL 26OCT12	TE Connectivity	
DIMENSIONS: mm [INCHES]		CHK: ZITTO MARK 26OCT12		
TOLERANCES UNLESS OTHERWISE SPECIFIED:		APP'D: ZITTO MARK 26OCT12	NAME: CPC PLUG ASSEMBLY, SERIES 1, SEALED, 23-37, STANDARD SEX, UV RESISTANT	
0. PLC ± -	1. PLC ± -	PRODUCT SPEC: 108-1579	APPLICATION SPEC: -	
2. PLC ± 0.13[.005]	3. PLC ± -	SIZE: A1	CAGE CODE: 00779	DRAWING NO: 1977887
4. PLC ± -	ANGLES ± -	WEIGHT: -	SCALE: 2:1	SHEET 1 of 1
MATERIAL: 1	FINISH: -	CUSTOMER DRAWING	REV: B	