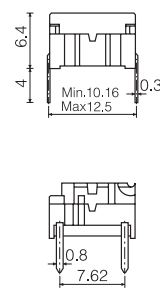
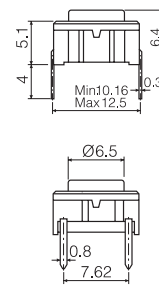
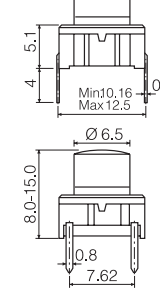
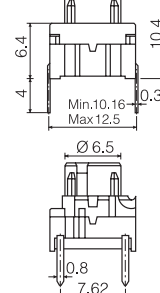
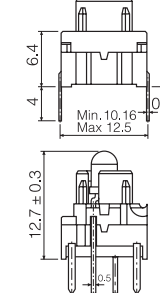
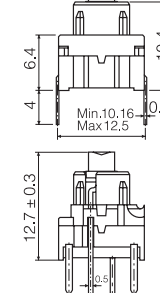
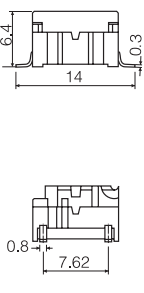
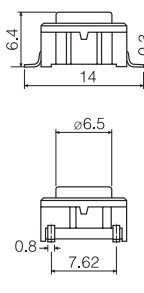
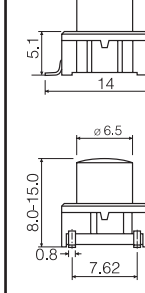
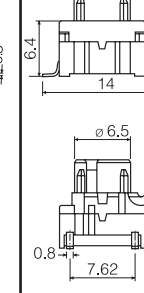
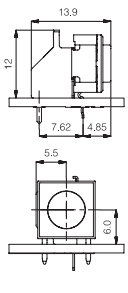
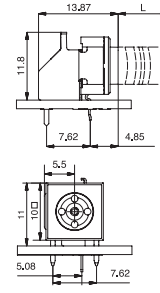
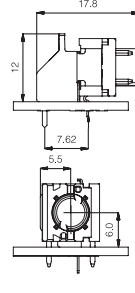
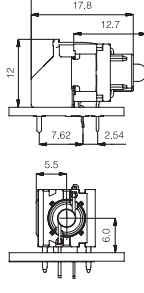
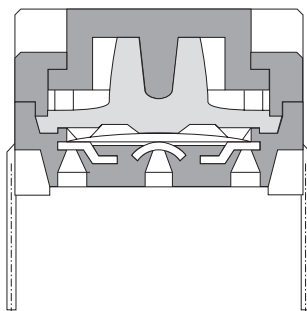


Through-hole Versions					
3A	3C	3E	3F		
For: 1A/1B/1M/1ZA/1ZB		For: 3E actuators/ Varimec	For:1D/1GA/1GC/1K/ 1N/1P/1S/1T/1U/1V/ 1WA/1WD/1WP/ 1X/ 1ZC	w/LED for 1D/1E/1F/ 1N/1Q/1R/1S/1X	w/LED for 1K/1KB/ 1KC/1T/1U/1V/ 1WA/1WD/1WP
					
Standard Version					
3ATL6 3ATH9	3CTL6/3CTL9 3CTH9	3ETLXX-H* 3ETHXX-H*	3FTL6 3FTH9	3FTL600/20/40/60/ 80/2040/8020/8040	3FTL623/45/88
* 3E available in 6 standard heights: 08.0, 09.5, 10.4, 11.0, 12.0, 15.0 mm. Other heights between 08.0 and 15.0 are available upon request.					
Specials: Gold contacts, quiet version and actuation force other than 3.0N					

Surface Mount Versions				Right Angle Versions			
3A	3C	3E	3F	3C	3E	3F	3F w/LED
For: 1A/1B/1M/1ZA/ 1ZB		For: 3E actuators/ Varimec	For: 1D/1K/1N/ 1P/1S/1T/1U/ 1V/1WA/1WD/ 1WP/1X/1ZC/ 1GA/1GC		For: 3E actuators/ Varimec	For: 1D/1K/1N/ 1P/1S/1T/1U/ 1V/1WA/1WD/ 1WP/1X/1ZC/ 1GA/1GC	For: 1D/1E/1F/ 1N/1Q/1R/1S
							
Standard Versions				Standard Versions			
3ASH9 3ASH9R	3CSH9 3CSH9R	3ESH9 3ESH9R	3FSH9 3FSH9R	3CTL6RAS	3ETXX-X.XRAS	3FTL6RAS	3FTL600/20/40/ 60/80/2040/ 8020/8040RAS

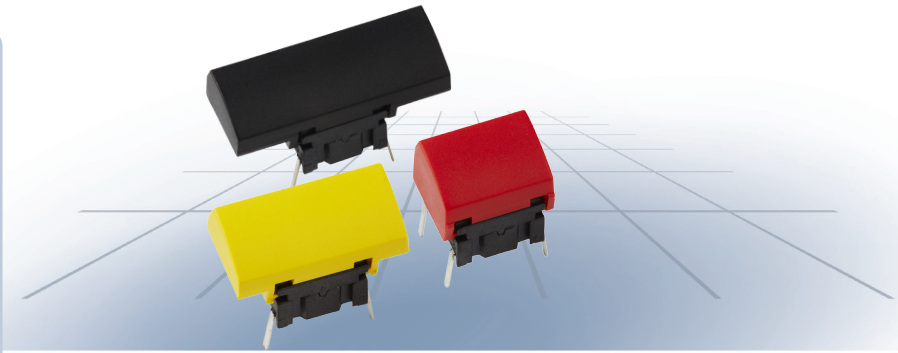
Co-planarity = ≤0.05 DIMENSIONS (mm) Unless otherwise specified, all tolerances ±0.2

## multimec® Cross Sections

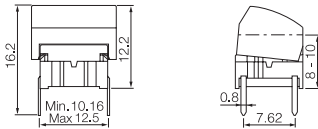


### Technical Data

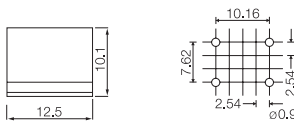
- through-hole or SMD
- 50mA/24VDC
- single pole/momentary
- 10.000.000 operations life time
- IP67 sealing
- temperature range:
  - low temp: -40/+115°C
  - high temp: -40/+160°C



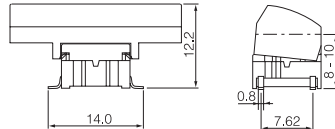
### Dimensions (through-hole) 1A



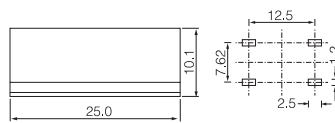
### PCB layout



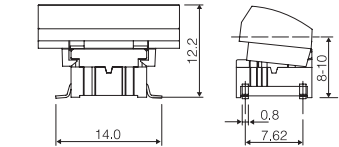
### Dimensions (SMD) 1M



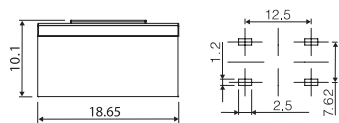
### PCB layout



### Dimensions (SMD) 1ZA



### PCB layout



### How to order

**3 A**

Switch



**Mounting**

**T** through-hole

**S** surface mount



**L 6** low temp.  
**H 9** high temp.

+

**1 A**

Cap



**1 Z A**

Cap



**00** blue  
**02** green  
**03\*** grey  
**04** yellow  
**06\*** white  
**08** red  
**09\*** black

**30\*** ultra blue  
**40\*** dusty blue  
**42\*** aqua blue  
**32** mint green  
**33** tele grey  
**34** melon  
**38** noble red

**50\*** metal dark blue  
**53\*** metal light grey  
**57\*** metal dark grey  
**58\*** metal bordeaux

**\*) Colours for 1ZA**

**3 A**

Switch



**Mounting**

**T** through-hole

**S** surface mount



**L 6** low temp.  
**H 9** high temp.

+

**1 M**

Cap

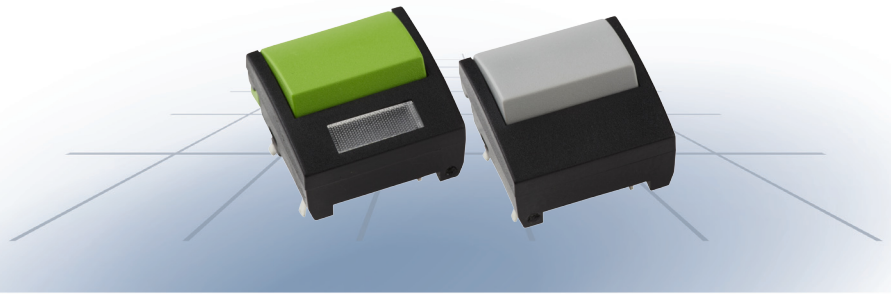


**00** blue  
**02** green  
**03** grey  
**04** yellow  
**06** white  
**08** red  
**09** black

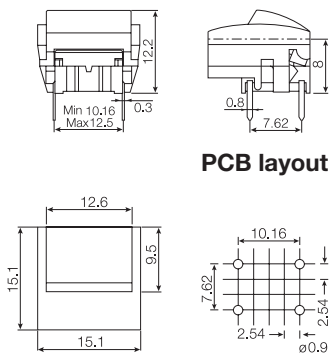
**Ordering example:** 3ATL6+1ZA40

### Technical Data

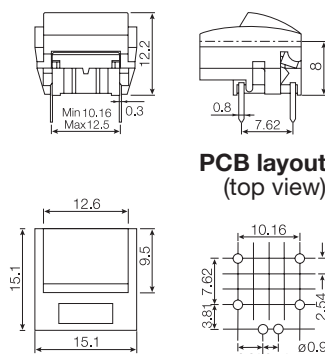
- through-hole or SMD
- 50mA/24VDC
- single pole/momentary
- 10.000.000 operations life time
- IP67 sealing
- temperature range:
  - low temp: -40/+115°C
  - high temp: -40/+160°C



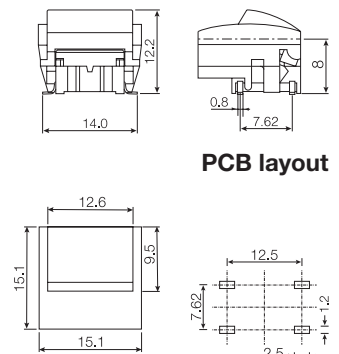
### Dimensions (through-hole)



### Dimensions w/LED PCB mounted (2D)



### Dimensions (SMD)



### How to order

<b>3 A</b>	<input type="checkbox"/>	<input type="checkbox"/>	+	<b>1 B</b>	<input type="checkbox"/>	+	<b>2 C</b>	<input type="checkbox"/>	<b>For 1B and 2C only:</b>	
<b>Switch</b>	<b>Mounting</b>	<b>L 6</b> low temp. <b>H 9</b> high temp.		<b>Cap</b>	<b>00</b> blue <b>02</b> green <b>03</b> grey <b>04</b> yellow <b>06</b> white <b>08</b> red <b>09</b> black		<b>Bezel</b>	<b>00</b> blue <b>02</b> green <b>03</b> grey <b>04</b> yellow <b>06</b> white <b>08</b> red <b>09</b> black	<b>30</b> ultra blue <b>40</b> dusty blue <b>42</b> aqua blue <b>32</b> mint green <b>33</b> tele grey <b>34</b> melon <b>38</b> noble red	<b>50</b> metal dark blue <b>53</b> metal light grey <b>57</b> metal dark grey <b>58</b> metal bordeaux

<b>3 A</b>	<input type="checkbox"/>	<input type="checkbox"/>	+	<b>1 B</b>	<input type="checkbox"/>	+	<b>2 D</b>	<input type="checkbox"/>	<input type="checkbox"/>
<b>Switch</b>	<b>Mounting</b>	<b>L 6</b> low temp. <b>H 9</b> high temp.		<b>Cap</b>	<b>00</b> blue <b>02</b> green <b>03</b> grey <b>04</b> yellow <b>06</b> white <b>08</b> red <b>09</b> black		<b>Bezel</b>	<b>00</b> blue <b>02</b> green <b>03</b> grey <b>04</b> yellow <b>06</b> white <b>08</b> red <b>09</b> black	<b>Lens</b> <b>1</b> transparent <b>2</b> green <b>4</b> yellow <b>6</b> frosted white <b>8</b> red
							+	<b>2 D X X X</b>	
								<b>LED for 2B bezel</b>	<b>20</b> green <b>40</b> yellow <b>80</b> red

Ordering example: 3ATL6+1B02+2D091

# Mouser Electronics

Authorized Distributor

Click to View Pricing, Inventory, Delivery & Lifecycle Information:

[Apem:](#)

[3ATL6](#) [3ATL680](#) [3ATL6Q](#) [3ASH9](#) [3ATH9](#) [3ATL640](#) [3ATL620](#) [3ATL600](#) [3ATH9Q](#) [3ASH9R](#) [3ATL680Q](#)