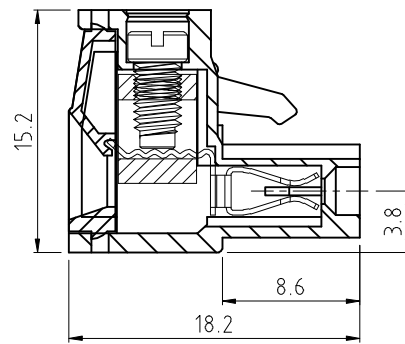
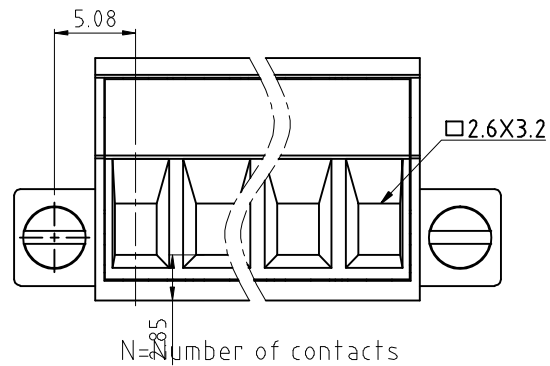
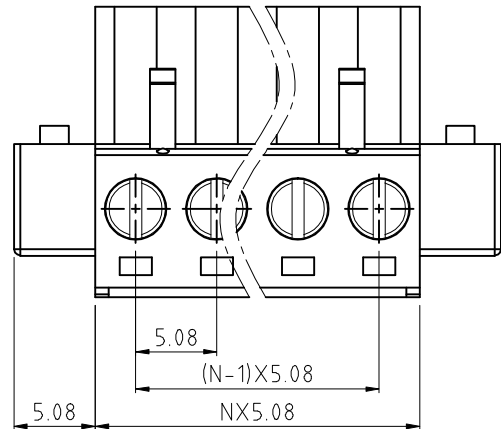


SIGN	DESCRIPTION	DATE	APPROVER



Technical Data:

Material:

- Contact(metal housing): Copper Alloy with Ni plated
- Terminal screw: Steel galvanized with Cr3+ plated
- Wire guard: Copper Alloy, Tin plated.
- Insulator body(housing): Polyamide(UL94V-0)

Electrical

- Voltage rating: 300VAC
- Current rating: 16 Amps/way max
- Contact resistance: 20mΩ(max)
- Withstanding Voltage: 2500VAC(1min) Test time=60sec/1pcs
- Wire range: 12-26AWG

Mechanical:

- Torque: 5.0kgf.cm/M3
- Operating temperature: -40°C to +105°C
- Soldering reliability:
  - Test temperature= 250°C±10°C
  - 5 seconds max

Ordering Information:

F75-6-E XX-X 0 0 X 0

- 5 Green
- 6 Blue
- 8 Grey
- A Black
- 1 "-" SCREW
- 2 "-/+ " SCREW

**WELINK** 恒翊電子科技有限公司  
 Welink International Co.,LTD.

TOLERANCE	APPROVED:	NAME: F75-6 Pitch 5.08mm Series
X. ±0.50	CHECKED:	
X.X ±0.30	DRAWN: Yang Ming 2011,09,26	PART NO: F756EXX10X0
X.XX ±0.20	UNITS: mm REV: A	
X° ±1°	SCALE: 3 / 1 PAGE: 1 / 1	DWG NO: 9F756E001A