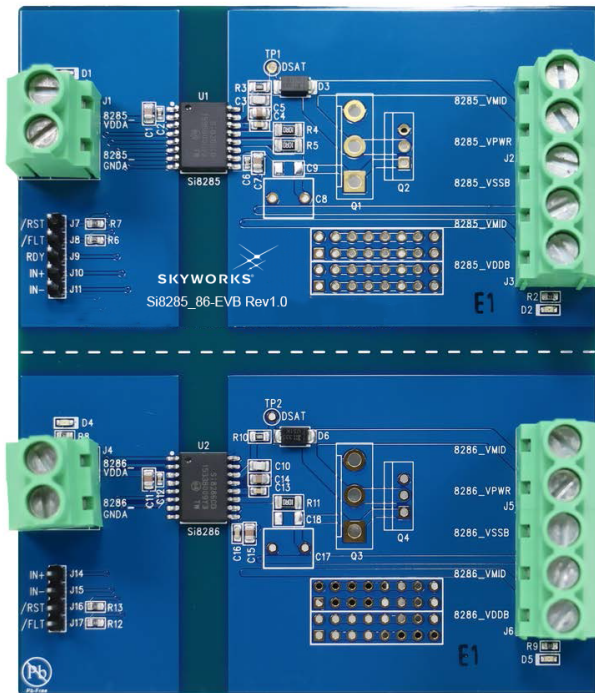


# UG169: Si8285/86-EVB User's Guide

This document describes the operation of the Si8285\_86-EVB.

The Si8285\_86 Evaluation Kit contains the following items:

- Si8285\_86-EVB
- Si8285CD-IS and Si8286CD-IS installed on the evaluation board.



## KEY POINTS

- Discusses hardware overview and setup, including:
  - Si8285/86 low voltage side connections.
  - Si8285/86 isolated gate drive connections.
- Offers alternative configurations.
- Demonstrates driver functionality.
- Shows Si8285/86-EVB schematics and silkscreen/copper layout.
- Includes a bill of materials and ordering guide.

## 1. Overview and Setup

### 1.1 Hardware

Si8285/86-EVB can be used to demonstrate the isolated gate drive capabilities of the installed Si8285CD-IS and Si8286CD-IS, as well as their features specific to driving MOSFETs and IGBTs. The EVB is split into two halves that operate independently—one for Si8285 and the other for Si8286.

#### Si8285 Low Voltage Side Connections

Supply power to the input side of Si8285 by applying 3 to 5.5  $V_{DC}$  to VDDA at terminal block J1. LED D1 above terminal block J1 illuminates to show power applied.

J7–J11 single pin headers provide access to the IN+, IN–, RSTb inputs, and FLTb and RDY outputs of the Si8285. These signals can be brought out to an external microcontroller using a ribbon cable (not supplied). FLTb output signal has a pull-up resistor to VDDA and is open drain output. This allows multiple gate drivers' FLTb outputs to share the same microcontroller input.

Driver functionality can be exercised without a microcontroller by applying a GNDA referenced PWM signal from a function generator to the IN+ and IN– inputs. Maximum input voltage is VDDA.

#### Si8285 Isolated Gate Drive Connections

Supply power to the output side of the Si8285 by applying VDDb, VMID, and VSSb at terminal block J3. In typical MOSFET driver applications, VMID = VSSb. When driving IGBTs, typical values for VDDb and VSSb IGBTs are +15 V and –9 V, with respect to VMID. LED D2 above terminal block J3 illuminates to show power applied.

There are four different load options for the Si8285 gate driver:

1. Through holes for a MOSFET or an IGBT in a TO-247 package (not supplied) at Q1.
2. Through holes for a MOSFET or an IGBT in a TO-220 package (not supplied) at Q2.
3. Through holes for a capacitor (not supplied) at C8.
4. Pads for a 1206-size surface mount capacitor (not supplied) at C9.

From top to bottom, the through holes for the transistor leads are Source, Drain, and Gate. Load transistors are biased by applying voltage across VPWR and VMID terminals of J2. This voltage should not exceed the rated VDS of the transistor or the 300 V blocking voltage rating of installed D3. Supply voltage constraints are summarized in [Table 1.1 Supply Voltage Constraints on page 3](#).

**Note:** Si8285 can drive the gate of either high-side or low-side MOSFET or IGBT in a bridge configuration. When used as a high-side gate driver, VMID is connected to the load. When used as a low-side gate driver, VMID is the return for the load.

For capacitive loads, capacitor value should be chosen to match the gate capacitance of the desired transistor.

#### Si8286 Low Voltage Side Connections

Supply power to the input side of Si8286 by applying 3 to 5.5  $V_{DC}$  to VDDA at terminal block J4. LED D4 above terminal block J4 illuminates to show power applied.

J14–J17 single pin headers provide access to the IN+, IN–, RSTb input, and the FLTb output of the Si8286. These signals can be brought out to an external microcontroller using a ribbon cable (not supplied). FLTb output signal has a pull-up resistor to VDDA and is an open drain output. This allows multiple gate drivers' FLTb outputs to share the same microcontroller input.

## Si8286 Isolated Gate Drive Connections

Supply power to the output side of the Si8286 by applying VDDB, VMID, and VSSB at terminal block J6. In typical MOSFET driver applications, VMID = VSSB. When driving IGBTs, typical values for VDDB and VSSB IGBTs are +15 V and –9 V, with respect to VMID. LED D5 above terminal block J6 illuminates to show power applied.

There are four different load options for Si8286 gate driver:

1. Through holes for a MOSFET or an IGBT in a TO-247 package (not supplied) at Q3.
2. Through holes for a MOSFET or an IGBT in a TO-220 package (not supplied) at Q4.
3. Through holes for a capacitor (not supplied) at C17.
4. Pads for a 1206-size surface mount capacitor (not supplied) at C18.

From top to bottom, the through holes for the transistor leads are Source, Drain, and Gate. Load transistors are biased by applying voltage across VPWR and VMID terminals of J5. This voltage should not exceed the rated  $V_{DS}$  of the transistor or the 300 V blocking voltage rating of installed D6.

**Note:** Si8286 can drive the gate of either high-side or low-side MOSFET or IGBT in a bridge configuration. When used as a high-side gate driver, VMID is connected to the load. When used as a low-side gate driver, VMID is the return for the load.

For capacitive loads, capacitor value should be chosen to match the gate capacitance of the desired transistor. Supply voltage constraints are summarized in the table below.

**Table 1.1. Supply Voltage Constraints**

$3.0\text{ V} \leq V_{DDA} - G_{NDA} \leq 5.5\text{ V}$
$V_{SSB} \leq V_{MID} < V_{DDB}$
$UVLO+ < V_{DDB} - V_{SSB} < 30\text{ V}$
$VPWR < V_{DS} (Q)$
$VPWR < 300\text{ V}$
$ G_{NDA} - V_{SSB}  < 5\text{ kV}$
<p><b>Note:</b></p> <p>1. UVLO+ for the Si8285CD-IS and Si8286CD-IS is 12.3 V typically.</p>

## 1.2 Alternative Configurations

### Positive Voltage Gate Drive Only

The standard configuration for the gate driver is to apply positive voltage, VDDB–VMID, to the gate during the high drive portion of the PWM cycle and negative voltage, VSSB–VMID, during the low drive portion of the PWM cycle. Alternatively, if only positive drive voltage is desired, short VSSB and VMID at terminals 2 and 3 of J3/J6.

### Prototyping Area

If additional components are needed to evaluate the gate drive function for a particular load, there is a prototyping area just below Q1 and Q3 locations.

### 1.3 Demonstrating Driver Functionality

Even with no load connected, the basic functionality of the Si8285 can be demonstrated:

1. Apply 5 V to VDDA. D1 will illuminate.
2. Apply 15 V between VDDB and VMID. Apply –9 V between VMID and VSSB (VMID 9 V higher than VSSB). D2 will illuminate.
3. Short VPWR to VMID using a wire between the terminals of J2. This disables desaturation detection and allows for normal operation of the Si8285.
4. Since both sides have been powered on, RDY will output 5 V, which can be observed at J9.
5. Apply 5 V to both J10, IN+ and J11, IN–. The Si8285 will drive low and –9 V can be observed across C8.
6. Apply 5 V to J10, IN+ and 0 V to J11, IN–. The Si8285 will drive high and +15 V can be observed across C8.
7. Remove the short between VPWR and VMID at J2.
8. With no path for the DSAT current, the voltage at the DSAT pin rises and the Si8285 will drive the output low and will drive FLTb to 0 V, which can be observed at J8.
9. Once again, place the short back between VPWR and VMID at J2. Drive RSTb input to 0 V. This clears the fault and 5 V will be observed on J8, FLTb.

Using the same method, Si8286 basic functionality can also be demonstrated:

1. Apply 5 V to VDDA. D4 will illuminate.
2. Apply 15 V between VDDB and VMID. Apply –9 V between VMID and VSSB. D5 will illuminate.
3. Short VPWR to VMID using a wire between the terminals of J5. This disables desaturation detection and allows for normal operation of the Si8286.
4. Apply 5 V to both J14, IN+ and J15, IN–. The Si8286 will drive low and –9 V can be observed across C17.
5. Apply 5 V to J14, IN+ and 0 V to J15, IN–. The Si8286 will drive high and +15 V can be observed across C17.
6. Remove the short between VPWR and VMID at J5.
7. With no path for the DSAT current, the voltage at the DSAT pin rises and the Si8286 will drive the output low and will drive FLTb to 0 V, which can be observed at J17.
8. Once again, place the short between VPWR and VMID at J5. Drive RSTb input to 0 V. This clears the fault and 5 V will be observed on J17, FLTb.

### 1.4 Quick Reference Table

**Table 1.2. Test Point Descriptions**

Test Point	Description	Referenced to
TP1	DSAT (Si8285)	VMID
TP2	DSAT (Si8286)	VMID

## 2. Schematics

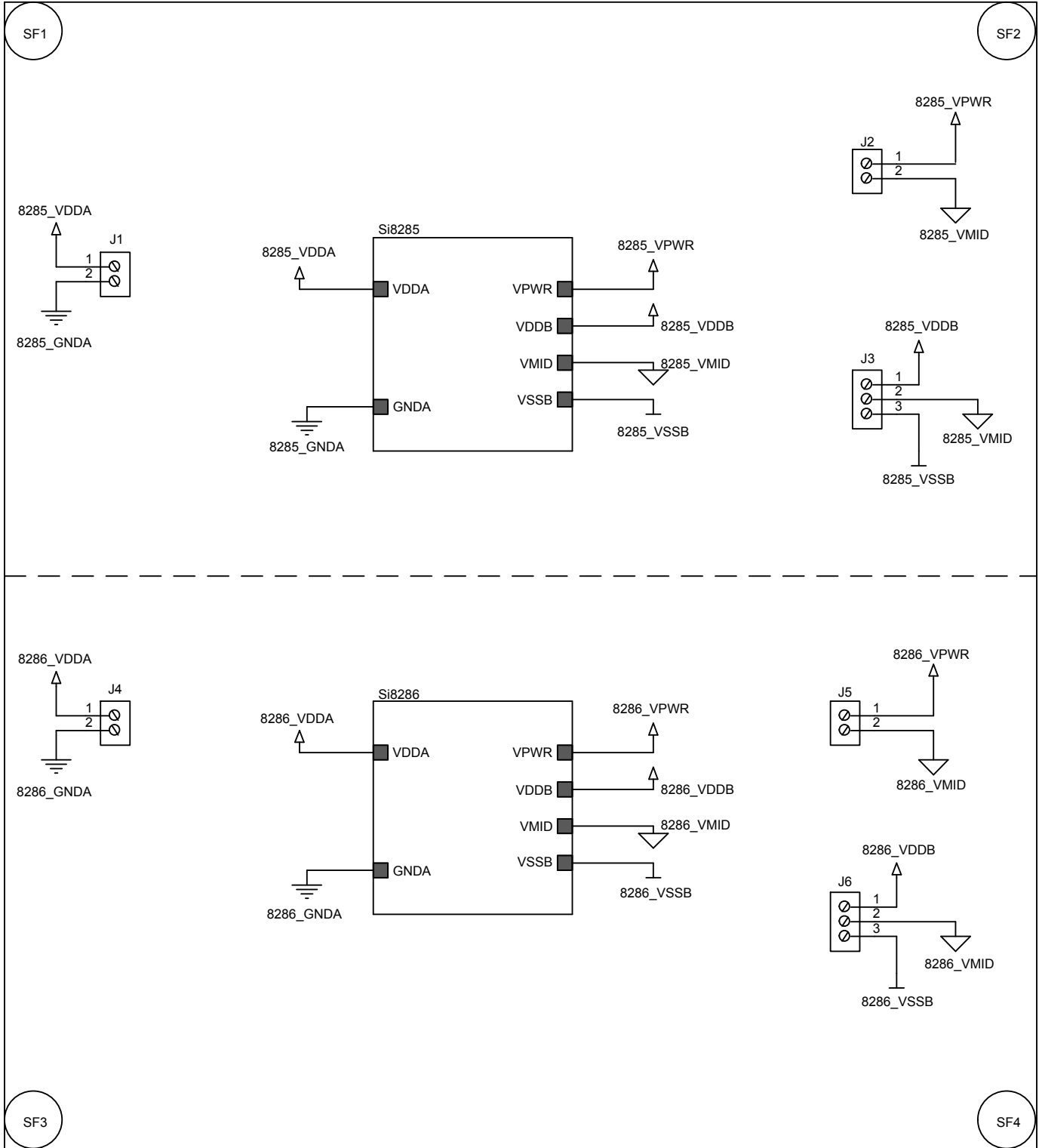


Figure 2.1. Si8285/86-EVB Top Level Schematic

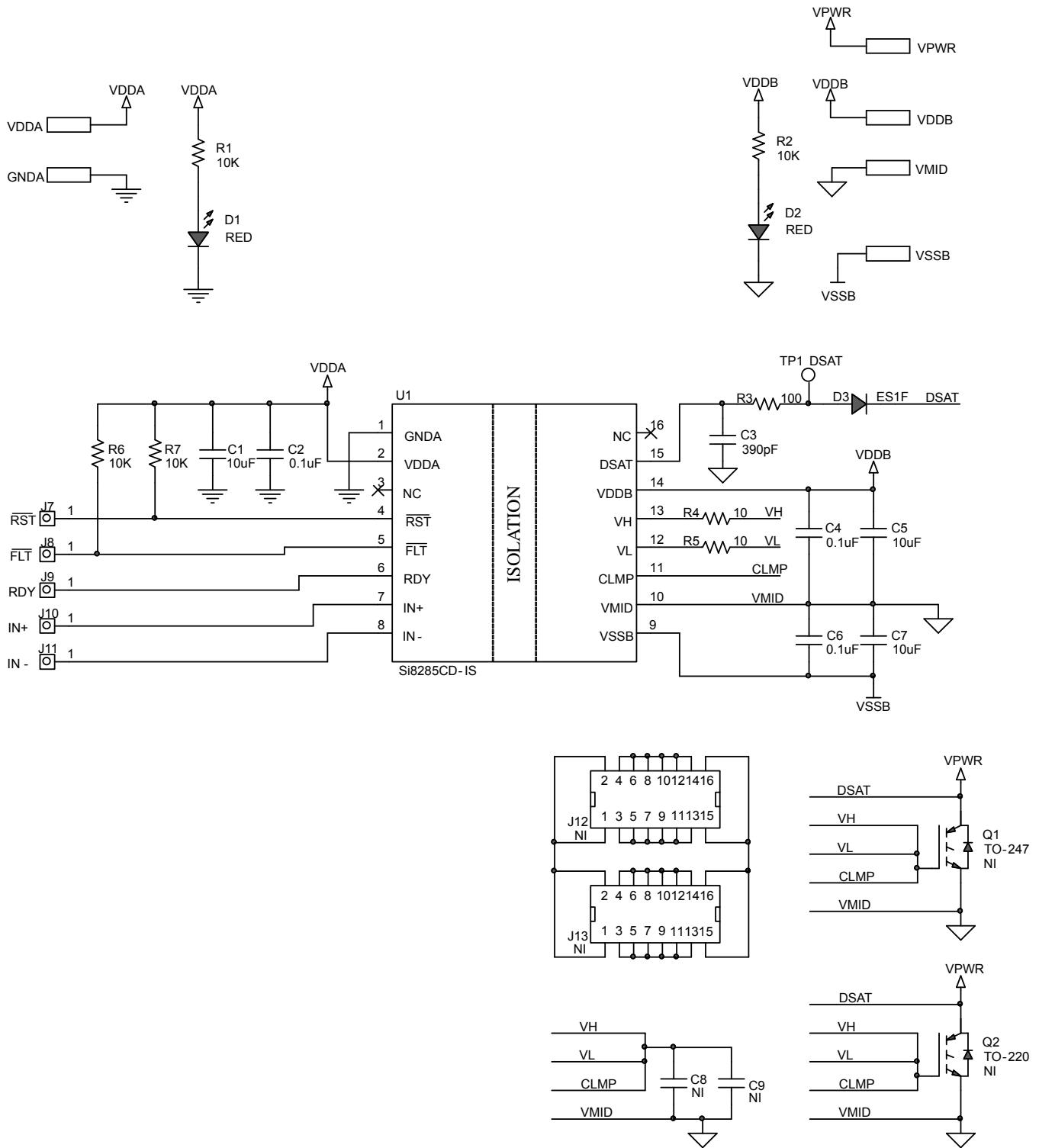


Figure 2.2. Si8285 Circuit Schematic

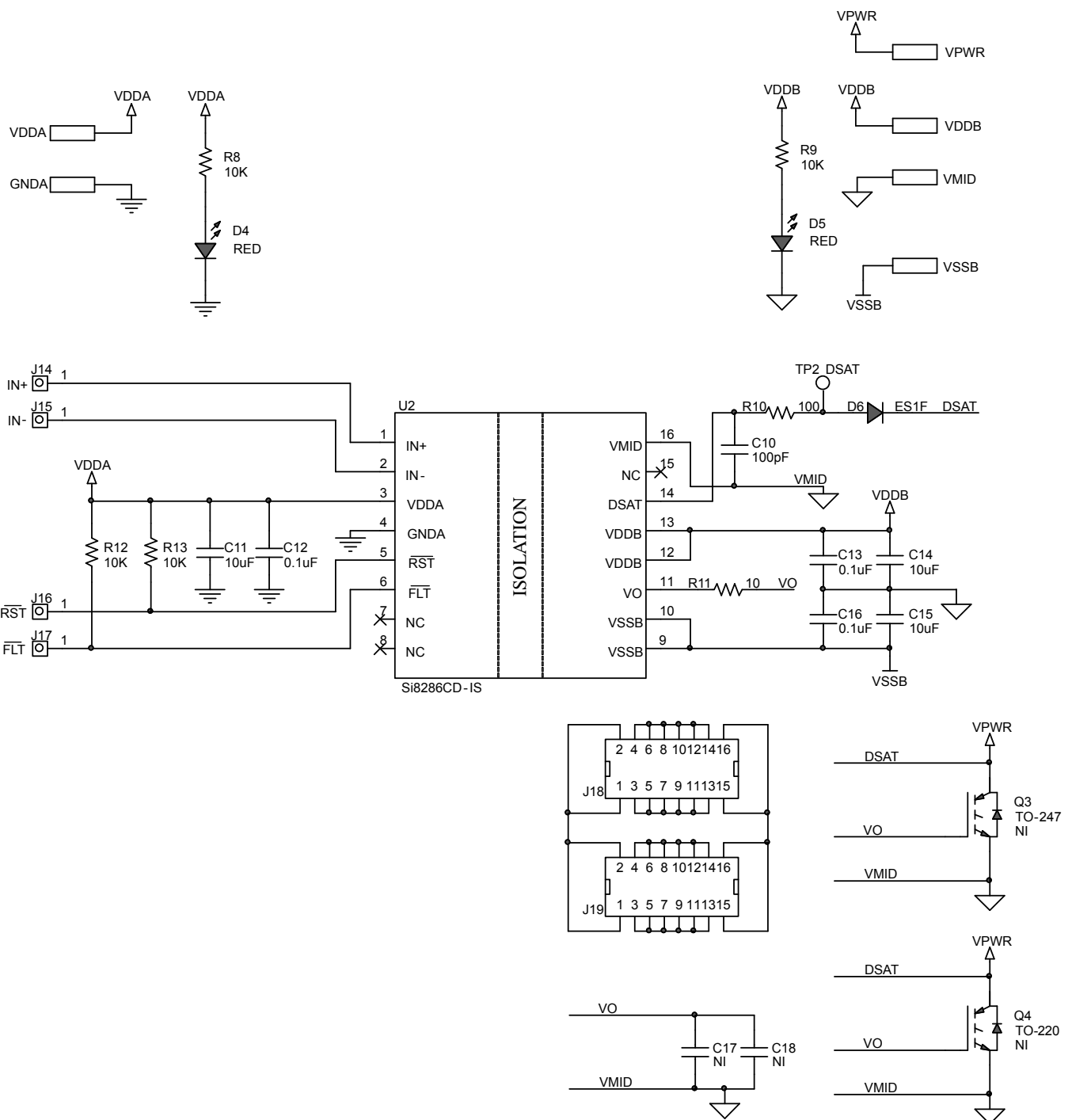


Figure 2.3. Si8286 Circuit Schematic

### 3. Layout

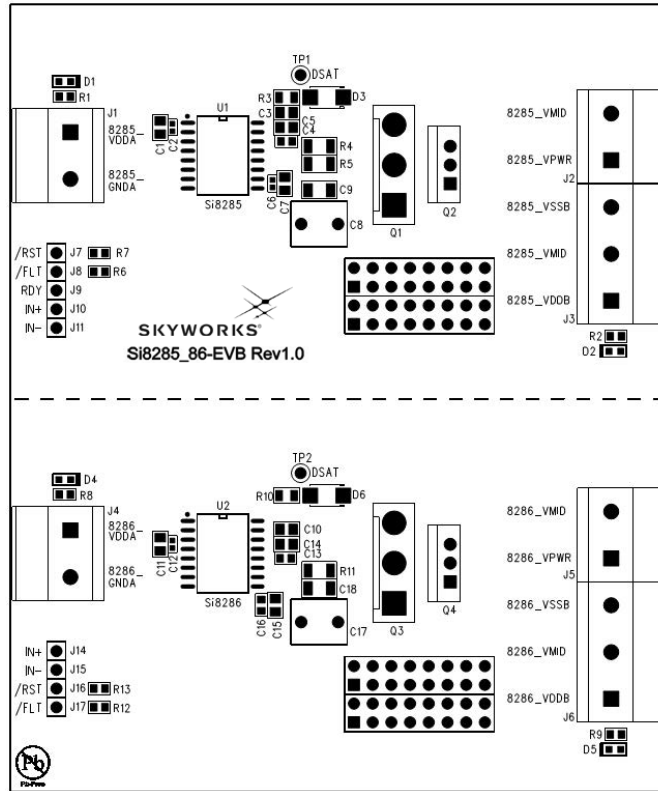


Figure 3.1. Si8285/86-EVB Top Silkscreen

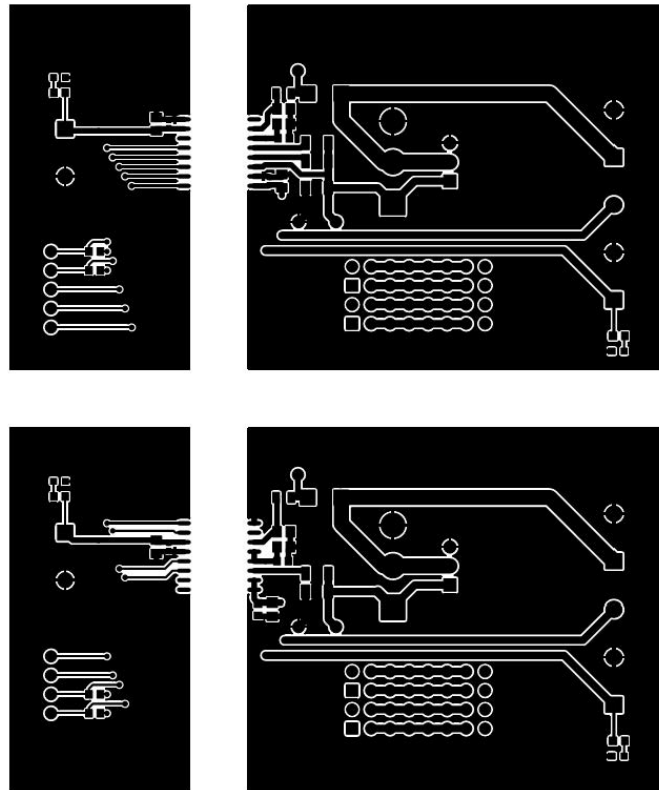


Figure 3.2. Si8285/86-EVB Top Copper



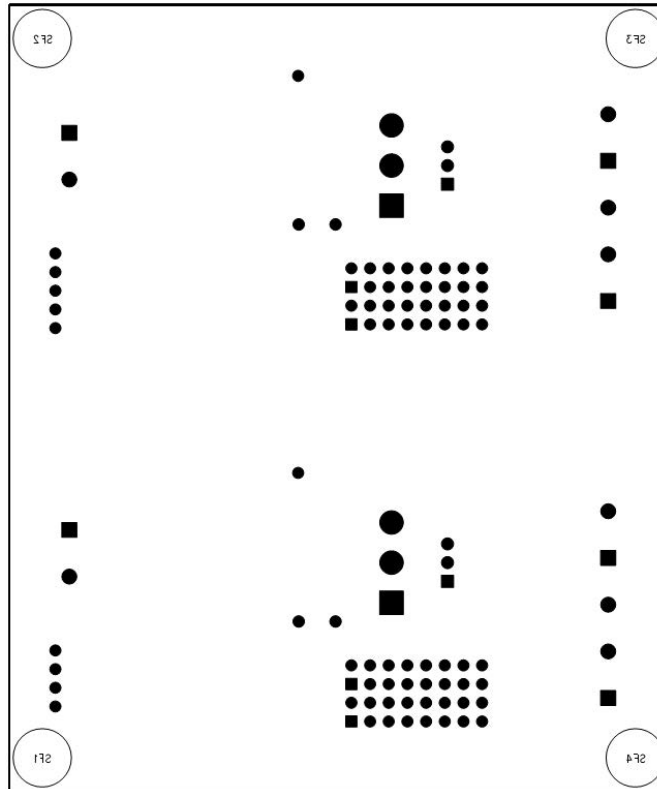


Figure 3.3. Si8285/86-EVB Bottom Silkscreen

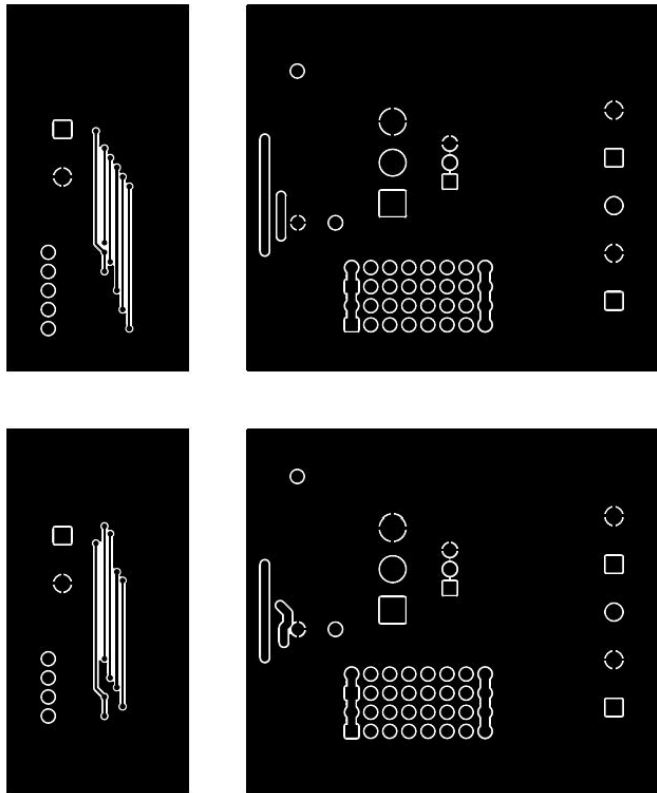


Figure 3.4. Si8285/86-EVB Bottom Copper

## 4. Bill of Materials

**Table 4.1. Si8285/86-EVB Bill of Materials**

Part Reference	Description	Manufacturer	Manufacturer Part Number
C1, C11	CAP, 10 $\mu$ F, 16 V, $\pm$ 10%, X5R, 0805	Venkel	C0805X5R160-106K
C2, C6, C12	CAP, 0.1 $\mu$ F, 16 V, $\pm$ 10%, X7R, 0402	Venkel	C0402X7R160-104K
C3	CAP, 390 pF, 100 V, $\pm$ 20%, X7R, 0805	Venkel	C0805X7R101-391M
C4, C13, C16	CAP, 0.1 $\mu$ F, 50 V, $\pm$ 10%, X7R, 0603	Venkel	C0603X7R500-104K
C5, C7, C14, C15	CAP, 10 $\mu$ F, 25 V, $\pm$ 20%, X6S, 0805	Venkel	C0805X6S250-106M
C10	CAP, 100 pF, 200 V, $\pm$ 5%, NP0 HIGH Q, 0805	Venkel	C0805HQN201-101J
D1, D2, D4, D5	LED, RED, 631 nM, 20 mA, 2 V, 54mcd, 0603	LITE-ON TECHNOLOGY CORP	LTST-C190KRKT
D3, D6	DIO, FAST, 300 V, 1.0A, SMA	Fairchild	ES1F
J1, J2, J4, J5	Terminal Block, 2 pos, 6.35 mm, 10-30AWG, 300 V, 32 A	Phoenix Contact	1714955
J3, J6	Terminal Block, 3 pos, 6.35 mm, 10-30AWG, 300V, 32 A	Phoenix Contact	1714968
J7, J8, J9, J10, J11, J14, J15, J16, J17	Header, Single Pin, Tin Plated	Samtec	TSW-101-07-T-S
R1, R2, R6, R7, R8, R9, R12	RES, 10 K, 1/16 W, $\pm$ 1%, ThickFilm, 0603	Venkel	CR0603-16W-1002F
R13			
R3, R10	RES, 100 $\Omega$ , 1/10 W, $\pm$ 1%, ThickFilm, 0805	Venkel	CR0805-10W-1000F
R4, R5, R11	RES, 10 $\Omega$ , 1/4 W, $\pm$ 1%, ThickFilm, 1206	Venkel	CR1206-4W-10R0F
SF1, SF2, SF3, SF4	HDW, BUMPON CYLINDRICAL, 0.312 x 0.215, BLK	3M	SJ61A6
TP1, TP2	TESTPOINT, WHITE, PTH	Kobiconn	151-201-RC
U1	IC, 4 AMP ISODRIVER, 12 V UVLO, 5KV, SOW16	Skyworks	Si8285CD-IS
U2	IC, 4 AMP ISODRIVER, 12 V UVLO, 5KV, SOW16	Skyworks	Si8286CD-IS

## 5. Ordering Guide

**Table 5.1. Si8285/86-EVB Ordering Guide**

Ordering Part Number (OPN)	Description
Si8285_86-KIT	Si8285/Si8286 Isolated gate driver evaluation board kit.



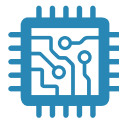
# SKYWORKS®

**Connecting Everyone  
and Everything,  
All the Time**



**Portfolio**

[www.skyworksinc.com](http://www.skyworksinc.com)



**Quality**

[www.skyworksinc.com/quality](http://www.skyworksinc.com/quality)



**Support & Resources**

[www.skyworksinc.com/support](http://www.skyworksinc.com/support)

**Copyright © 2021 Skyworks Solutions, Inc. All Rights Reserved.**

Information in this document is provided in connection with Skyworks Solutions, Inc. ("Skyworks") products or services. These materials, including the information contained herein, are provided by Skyworks as a service to its customers and may be used for informational purposes only by the customer. Skyworks assumes no responsibility for errors or omissions in these materials or the information contained herein. Skyworks may change its documentation, products, services, specifications or product descriptions at any time, without notice. Skyworks makes no commitment to update the materials or information and shall have no responsibility whatsoever for conflicts, incompatibilities, or other difficulties arising from any future changes.

No license, whether express, implied, by estoppel or otherwise, is granted to any intellectual property rights by this document. Skyworks assumes no liability for any materials, products or information provided hereunder, including the sale, distribution, reproduction or use of Skyworks products, information or materials, except as may be provided in Skyworks' Terms and Conditions of Sale.

THE MATERIALS, PRODUCTS AND INFORMATION ARE PROVIDED "AS IS" WITHOUT WARRANTY OF ANY KIND, WHETHER EXPRESS, IMPLIED, STATUTORY, OR OTHERWISE, INCLUDING FITNESS FOR A PARTICULAR PURPOSE OR USE, MERCHANTABILITY, PERFORMANCE, QUALITY OR NON-INFRINGEMENT OF ANY INTELLECTUAL PROPERTY RIGHT; ALL SUCH WARRANTIES ARE HEREBY EXPRESSLY DISCLAIMED. SKYWOKS DOES NOT WARRANT THE ACCURACY OR COMPLETENESS OF THE INFORMATION, TEXT, GRAPHICS OR OTHER ITEMS CONTAINED WITHIN THESE MATERIALS. SKYWOKS SHALL NOT BE LIABLE FOR ANY DAMAGES, INCLUDING BUT NOT LIMITED TO ANY SPECIAL, INDIRECT, INCIDENTAL, STATUTORY, OR CONSEQUENTIAL DAMAGES, INCLUDING WITHOUT LIMITATION, LOST REVENUES OR LOST PROFITS THAT MAY RESULT FROM THE USE OF THE MATERIALS OR INFORMATION, WHETHER OR NOT THE RECIPIENT OF MATERIALS HAS BEEN ADVISED OF THE POSSIBILITY OF SUCH DAMAGE.

Skyworks products are not intended for use in medical, lifesaving or life-sustaining applications, or other equipment in which the failure of the Skyworks products could lead to personal injury, death, physical or environmental damage. Skyworks customers using or selling Skyworks products for use in such applications do so at their own risk and agree to fully indemnify Skyworks for any damages resulting from such improper use or sale.

Customers are responsible for their products and applications using Skyworks products, which may deviate from published specifications as a result of design defects, errors, or operation of products outside of published parameters or design specifications. Customers should include design and operating safeguards to minimize these and other risks. Skyworks assumes no liability for applications assistance, customer product design, or damage to any equipment resulting from the use of Skyworks products outside of Skyworks' published specifications or parameters.

Skyworks, the Skyworks symbol, Sky5®, SkyOne®, SkyBlue™, Skyworks Green™, Clockbuilder®, DSPLL®, ISOModem®, ProSLIC®, and SiPHY® are trademarks or registered trademarks of Skyworks Solutions, Inc. or its subsidiaries in the United States and other countries. Third-party brands and names are for identification purposes only and are the property of their respective owners. Additional information, including relevant terms and conditions, posted at [www.skyworksinc.com](http://www.skyworksinc.com), are incorporated by reference.

Skyworks Solutions, Inc. | Nasdaq: SWKS | [sales@skyworksinc.com](mailto:sales@skyworksinc.com) | [www.skyworksinc.com](http://www.skyworksinc.com)

USA: 781-376-3000 | Asia: 886-2-2735 0399 | Europe: 33 (0)1 43548540 |