

MICRO SWITCH
a Honeywell Division

FED. MFG. CODE 91929

SWITCH - BASIC

CATALOG LISTING
WZ-1R15365

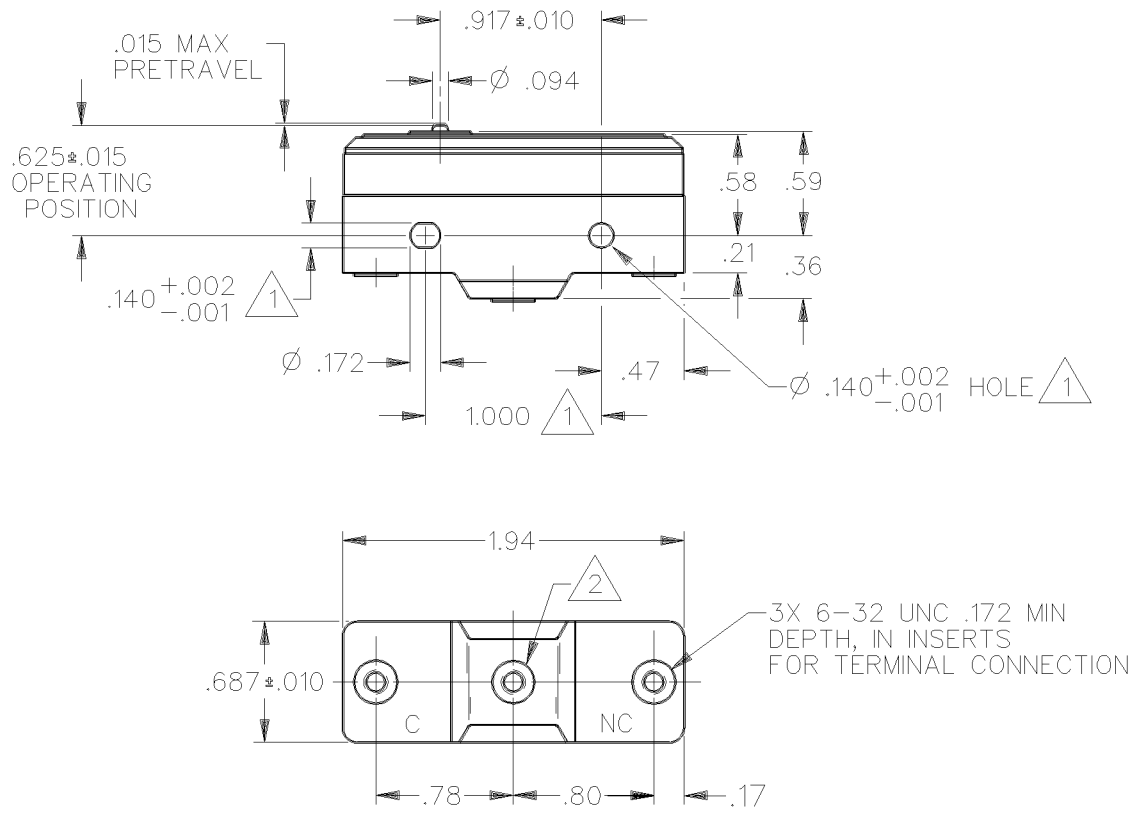
CATALOG LISTING
WZ-1R15365
PAGE 1 OF 1
ISSUE 2

REPLACES X94491-WZ
RELEASE NO. PR-19896
CHECK

REVISIONS

A	CO-80586
K	D R 22 MAR 95

CHECK



NOTE
 1 MOUNTING HOLES WILL ACCEPT PINS OR SCREWS OF $\phi .139$ MAX ON $1.000 \pm .002$ CENTERS
 2 THREADED INSERT (NORMALLY OPEN) PROVIDED FOR EXTERNAL SCREW CONNECTION. THIS INSERT IS NOT ELECTRICALLY LIVE
 3 - TERMINAL SCREWS FURNISHED UNASSEMBLED

ANSI Y14.5M-1982 APPLIES

THIS DRAWING COVERS A PROPRIETARY ITEM AND IS THE PROPERTY OF MICRO SWITCH, A DIVISION OF HONEYWELL. THIS DRAWING IS NOT TO BE COPIED OR USED WITHOUT THE APPROVAL OF MICRO SWITCH.



CHARACTERISTICS	ELECTRICAL DATA	SCALE FULL	DO NOT SCALE PRINT
OPERATING FORCE — — — 7-10 OZ (198-294 GRAMS)	CONTACT ARRANGEMENT S P N C	UNLESS OTHERWISE SPECIFIED TOLERANCES ARE	ONE PLACE (.0) $\pm .030$
RELEASE FORCE — — — 4 OZ MIN (113 GRAMS)	25A 12VDC		TWO PLACE (.00) $\pm .015$
DIFFERENTIAL TRAVEL — — .0005-.0010 (.0127-.0254 mm)			THREE PLACE (.000) $\pm .005$
OVERTRAVEL — — — .005 MIN (.13 mm MIN)			ANGLES \pm
			WEIGHT .060 LB

DDM/CAD
DRAWN
G R T 19 FEB 92
CHECK

Mouser Electronics

Authorized Distributor

Click to View Pricing, Inventory, Delivery & Lifecycle Information:

[Honeywell:](#)

[WZ-1R15365](#)