



Introduction

- ❖ $\varnothing 12.5 \varnothing 11.5$ Coin High temperature, Long life type
- ❖ Able to be used at wide temperature from -25°C to 85°C
- ❖ Long life Endurance : 2,000 hours at $+85^{\circ}\text{C}$
- ❖ RoHS directive compliant

Applications

- ❖ Memory back-up for video and audio equipment, cameras, printers, flash, tuners, TV, rice cookers and remote controls



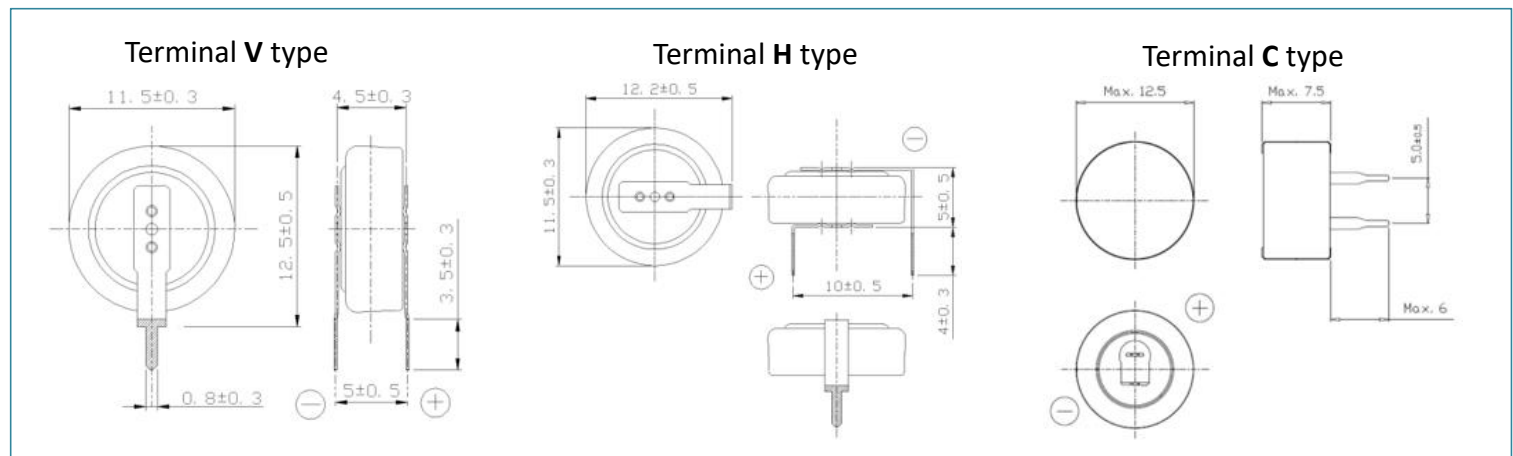
Specifications

Operating Temperature range	-25°C to 85°C			
Working Voltage	3.6 V DC			
Nominal capacitance & Resistance	Nominal capacitance (F)	0.22	0.33	0.47
	Nominal resistance (Ω)	50	50	50
Capacitance tolerance	- 20% to + 80%			
Characteristic at high and low temperature	Capacitance change	Within $\pm 30\%$ of the value at $+20^{\circ}\text{C}$		
	Internal resistance change	Less than five times of the value at $+20^{\circ}\text{C}$		
Endurance	Test time	2,000 (hours)		
	Capacitance change	Within $\pm 30\%$ of the initial measured value		
	Internal resistance change	Less than four times of the initial specified value		
Shelf life	Same as endurance (Test time : 2,000 hours)			

Part number system

<u>CBH</u>	<u>3R6</u>	<u>224</u>	<u>H</u>	<u>F</u>	<u>*</u>
Series code	Rated Voltage	Nominal Capacitance	Terminal Type	Additional Symbol ROHS	SPECIAL CODE

Dimensions in mm (not to scale)



Standard Products

Series	Working Voltage (V DC)	Capacitance (F)	Capacitance tolerance (F)	Temperature range ($^{\circ}\text{C}$)	Internal resistance (Ω) at 1 kHz	Recommended discharge current (μA)	CDA Part number	Terminal Type	Min. Packaging q'ty (pcs)
CBH	3.6	0.22	0.176 to 0.396	$-25\sim+85$	50 Ω or less	300 μA Or less	CBH 3R6 224 ()	V, H, C	200
CBH	3.6	0.33	0.264 to 0.594	$-25\sim+85$	50 Ω or less	300 μA Or less	CBH 3R6 334 ()	V, H, C	200
CBH	3.6	0.47	0.397 to 0.614	$-25\sim+85$	50 Ω or less	500 μA Or less	CBH 3R6 474 ()	V, H, C	200

