

PANEL CUTOUT  
MAX. PANEL THICKNESS 10mm

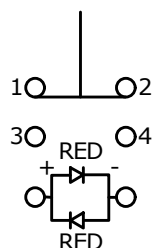
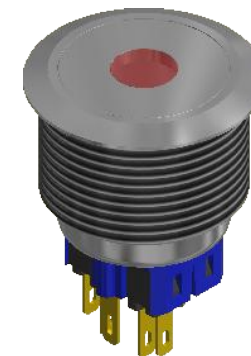
SWITCH FUNCTION	
POS. 1	POS. 2
1-2	3-4

▲ ACTUATOR FINISH:  
STAINLESS STEEL

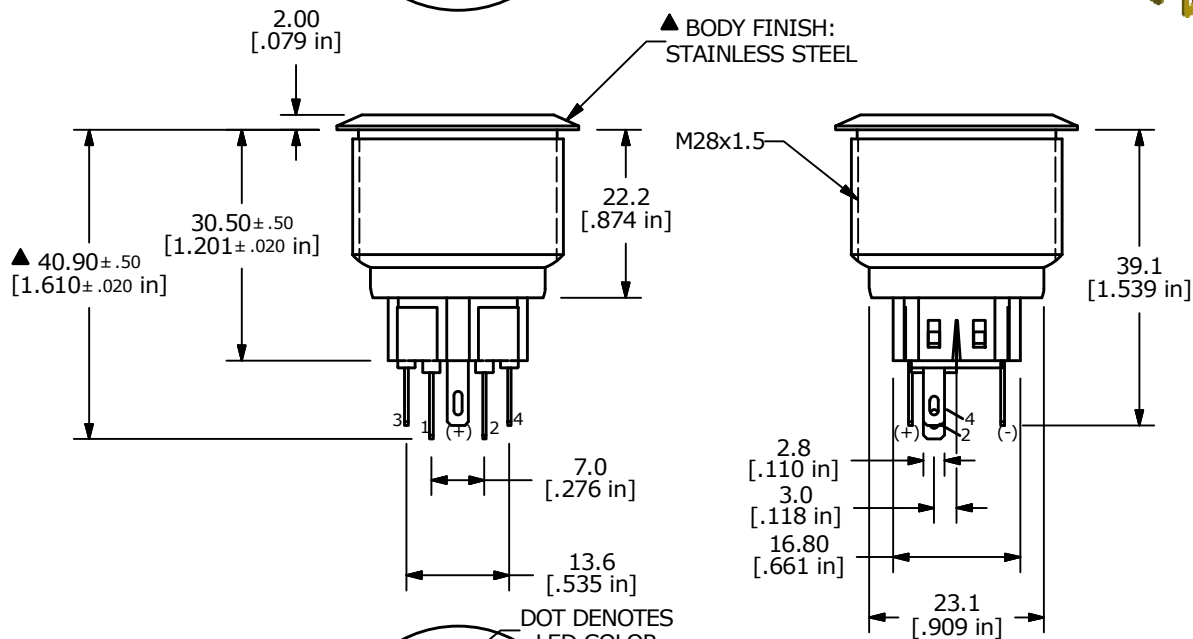
ø32.00  
[1.260 in]

ø22.80  
[.898 in]

▲ DOT ILLUMINATION:  
RED



▲ SPDT  
CONTACT CONFIGURATION



DOT DENOTES  
LED COLOR

NOTE:

1. ALL DIMENSIONS IN MM [INCH]
2. GENERAL TOLERANCE: X.X = ± 0.4  
X.XX = ± 0.25
3. TERMINAL NOS. FOR REF. ONLY
- ▲ 4. FUNCTION: SPDT
- ▲ 5. RATING: 2A @ 48VDC
6. ILLUMINATION VOLTAGE: 24 V
7. CONTACT RESISTANCE: 50mΩ MAX. @ 1A 12VDC
8. INSULATION RESISTANCE: 1,000MΩ @ 500VDC
9. DIELECTRIC STRENGTH: 2,000VAC MIN. FOR 1 MINUTE
10. ELECTRICAL LIFE: 50,000 CYCLES
11. OPERATING TEMPERATURE: -20°C TO 55°C
12. INGRESS PROTECTION: IP66
13. SUPPLIED HARDWARE: O-RING AND HEXNUT
14. ▲ DENOTES CRITICAL PARAMETER
- ▲ 15. ILLUMINATION COLOR: RED (FORWARD), RED (REVERSE)



B	23837	UPDATED RATING TO IP66	4/8/19	MJR
A	21519	New Release	7/16/14	rc
REV	PCR NO	DESCRIPTION	DATE	BY

TITLE PV9F2T0SS-215				
SCALE	DATE	DR	DWG	REV
1:1	7/16/2014	rc	52-PV9F2T0SS215	B

THE INFORMATION CONTAINED IN THIS DOCUMENT IS PROPRIETARY TO E-SWITCH AND IS NOT TO BE COPIED OR TRANSFERRED