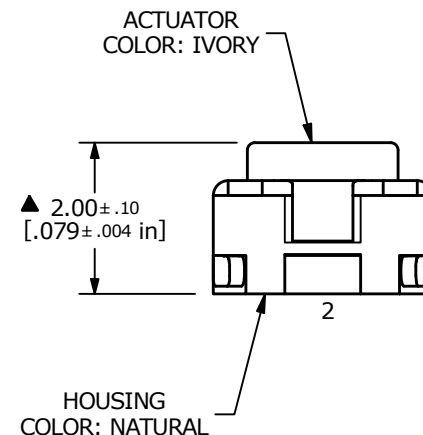
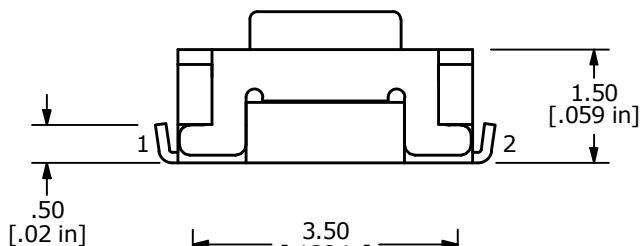
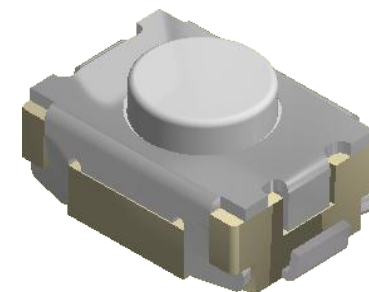
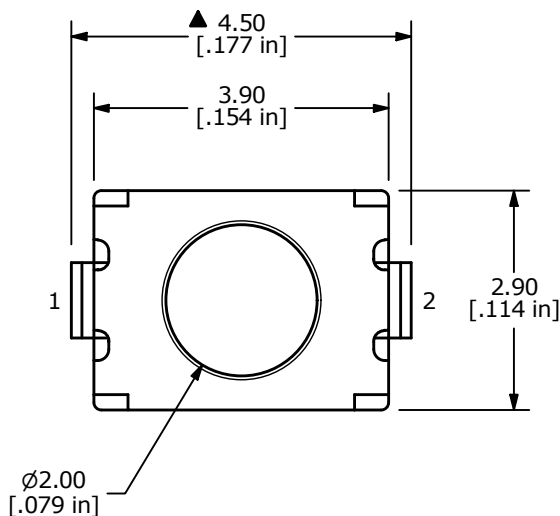
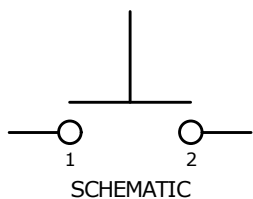
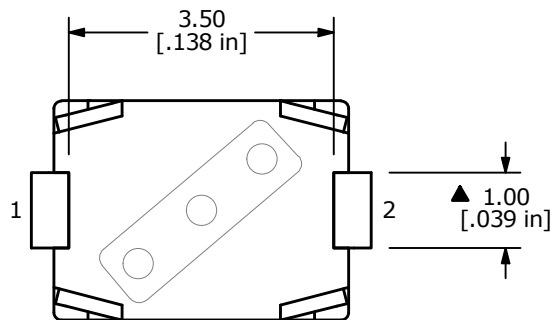


P.C.B. LAYOUT



- NOTES:
1. ALL DIMENSIONS IN MM
  2. GENERAL TOLERANCE: X.X = ±0.4  
X.XX = ±0.25
  3. TERM. NUMBERS FOR REFERENCE ONLY.
  4. RATING: 12VDC, 50mA
  - ▲ 5. OPERATING FORCE: 160 ±50 gms
  6. TRAVEL: 0.2mm ±0.1mm
  7. CONTACT RESISTANCE: 100 MILLI OHMS MAX. (INITIAL)
  8. MECHANICAL/ELECTRICAL LIFE 200,000 CYCLES MIN.
  9. PACKAGE: TAPE AND REEL - 2500 PIECES PER REEL
  10. ▲ DENOTES CRITICAL PARAMETER



H	24404	update term. dim. to 3.50 and 4.50	7/21/20	MW
G	24272	update model	4/20/20	MW
F	23507	remove ROHS note, info on website	7/30/18	MW
E	23294	UPDATED LAYOUT	4/13/18	MJR
D	21622	ADDED HOUSING COLOR	10/14/14	AS
REV	PCR NO	DESCRIPTION	DATE	BY



TITLE TL1015AF160QG

SCALE	DATE	DR	DWG	REV
10:1	2/1/2013	rc	P420000	H