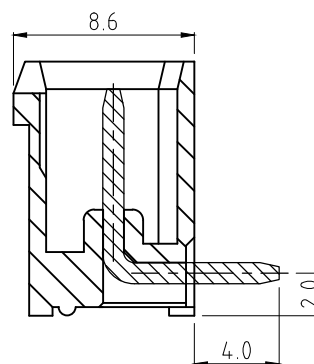
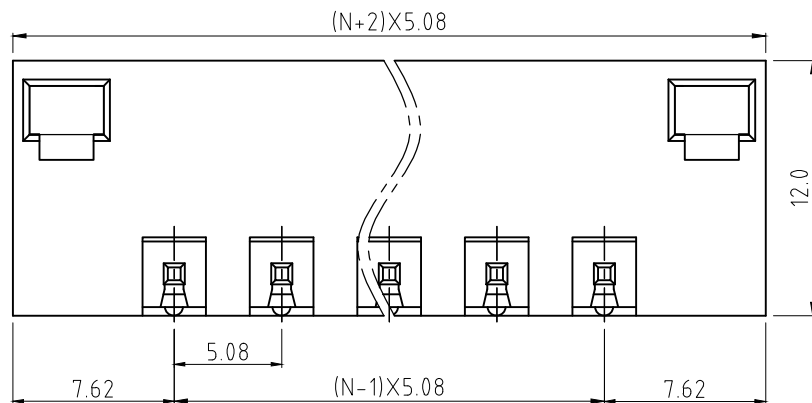


SIGN	DESCRIPTION	DATE	APPROVER



Technical Data:

Material:

Solder Pin: Copper Alloy, Tin plated

Insulator body(housing): Polyamide

(Glass filled)(UL94V-0)

Electrical

Voltage rating: 300VAC

Current rating: 16A

Withstanding Voltage: AC 2500V(1min)

Mechanical:

Using temperature Range: -40°C to $+105^{\circ}\text{C}$

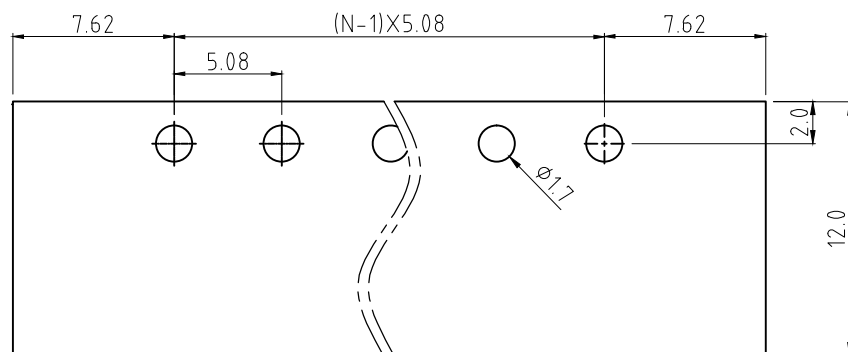
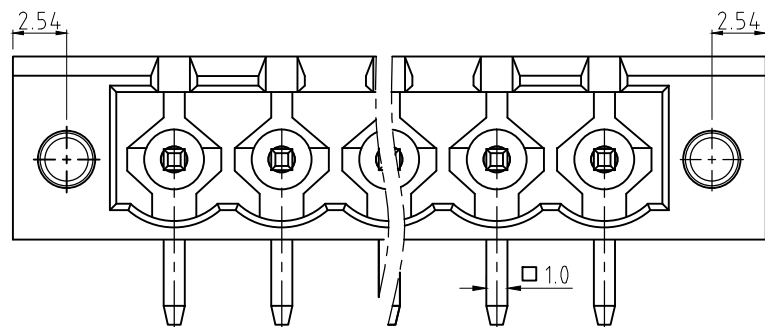
Soldering temperature: $+250^{\circ}\text{C}$, 5seconds Max.

Ordering Information:

F85-8-E XX-0 0 1 X 0

02	2Pin	5	Green
To	To	6	Blue
24	24Pin	A	Black

N=Number of contacts



P.C.B. LAYOUT

WELINK 恒翊电子科技有限公司
Welink International Co., LTD.

TOLERANCE	APPROVED:	NAME: F85-8 Pitch 5.08mm
X. ± 0.50	CHECKED:	- Series
X.X ± 0.30	DRAWN: YangMing 2011,09,26	PART NO: F858EXX001X0
X.XX ± 0.20	UNITS: mm REV: A	DWG NO: 9F858E001A
X° $\pm 1^{\circ}$	SCALE: 4 / 1 PAGE: 1 / 1	