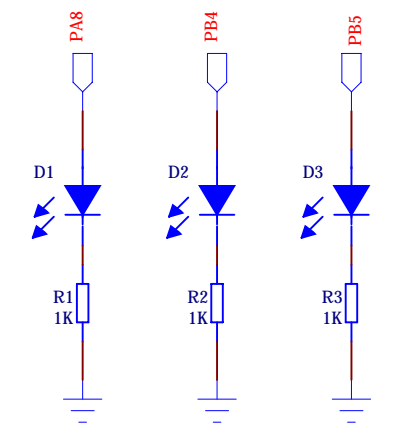
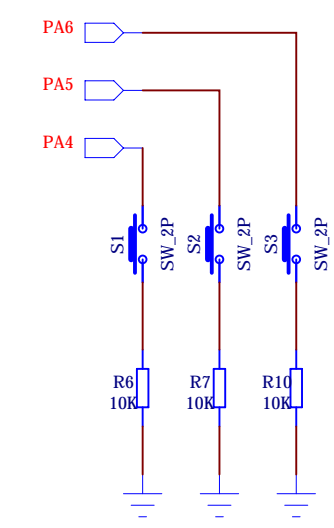
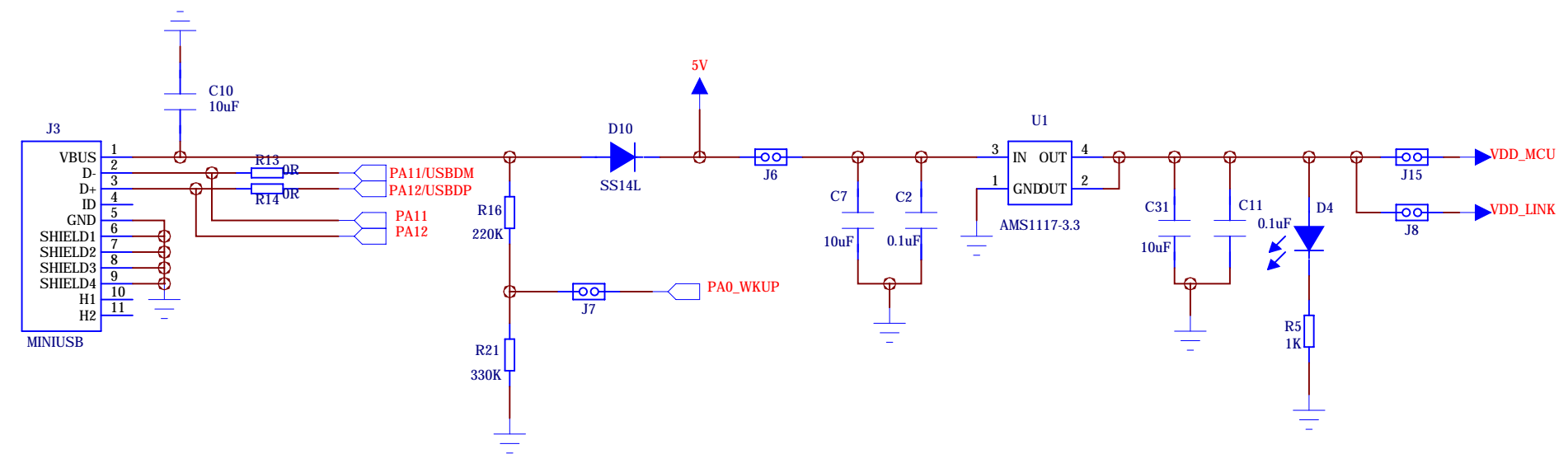


USB 5V IN

LDO 3.3V

KEY

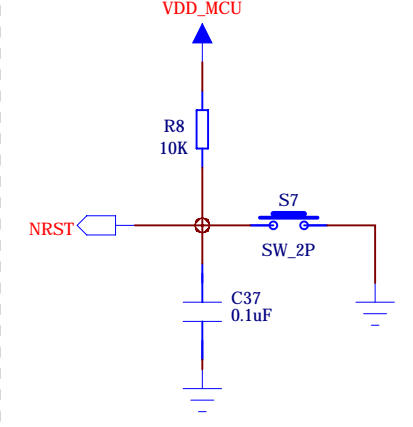
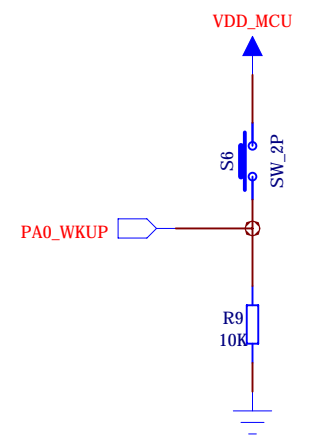
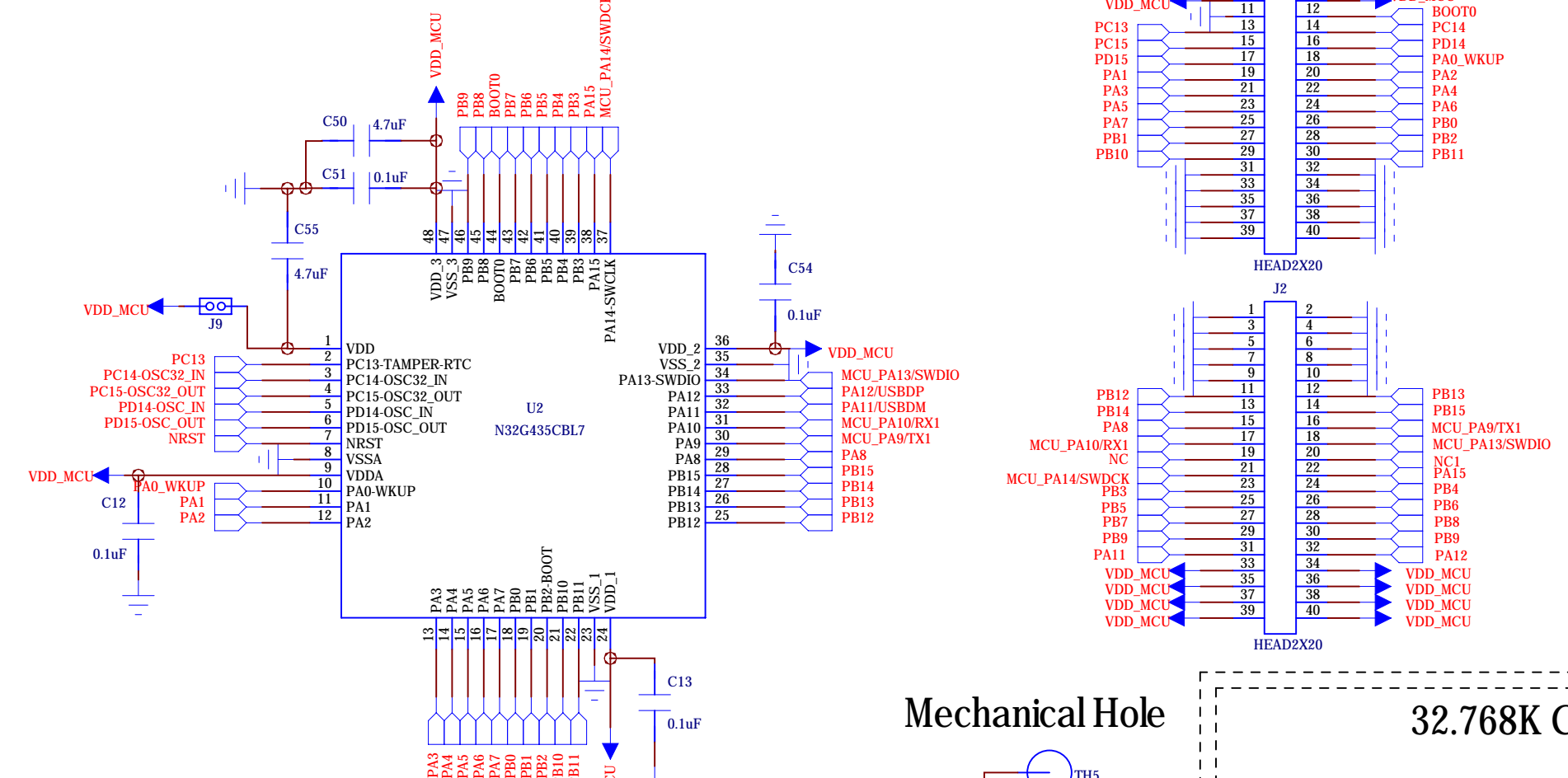
LED



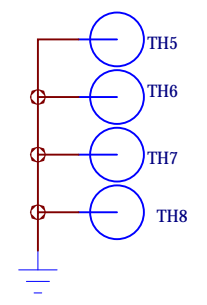
MCU

MCU WAKEUP

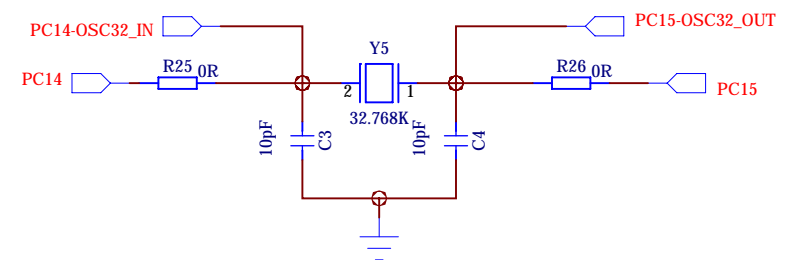
RESET



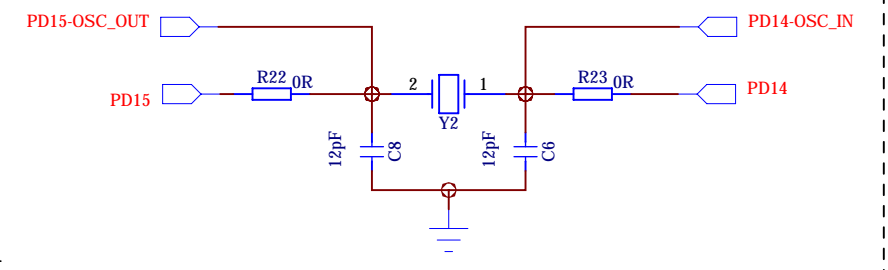
Mechanical Hole



32.768K Crystal



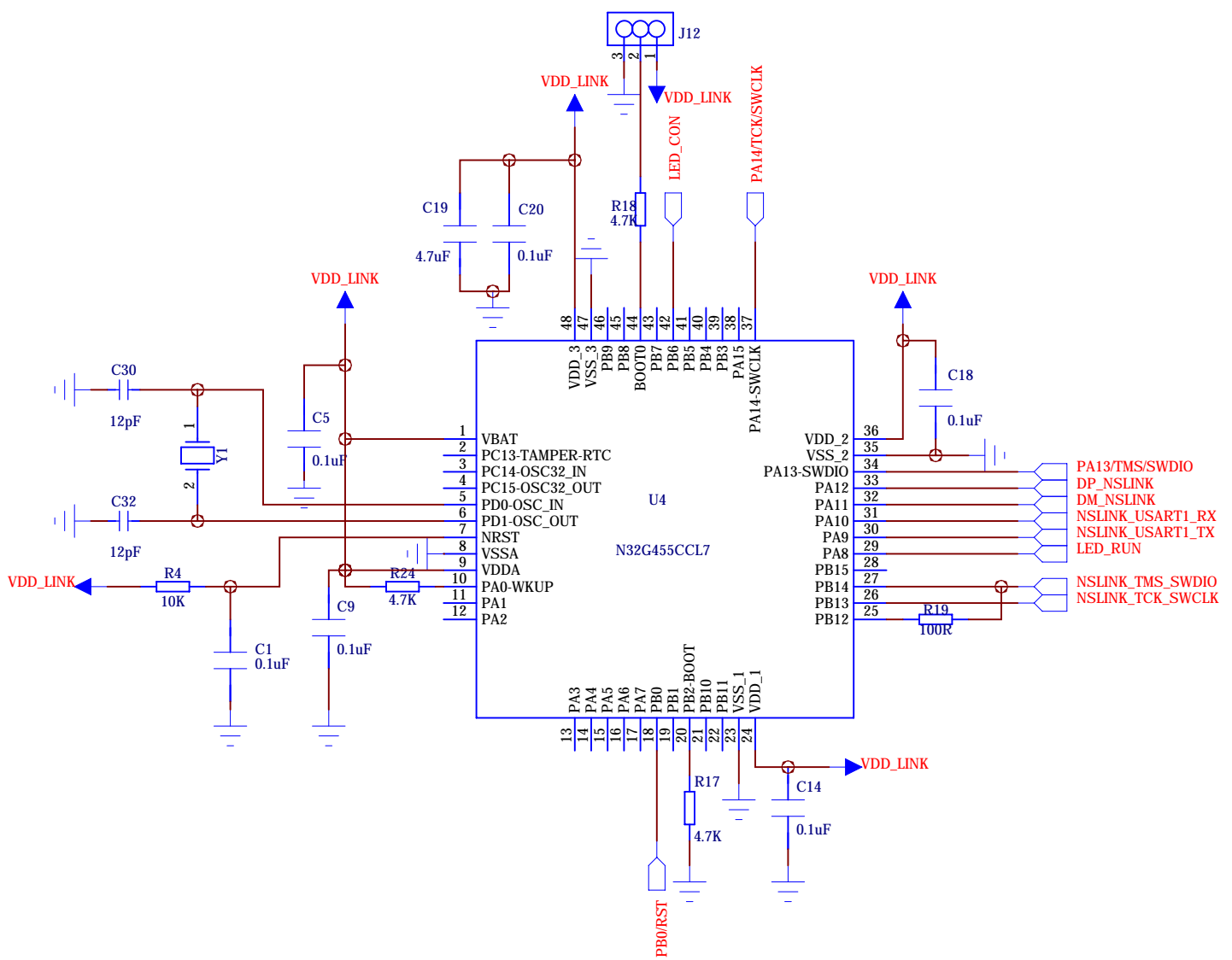
8M Crystal



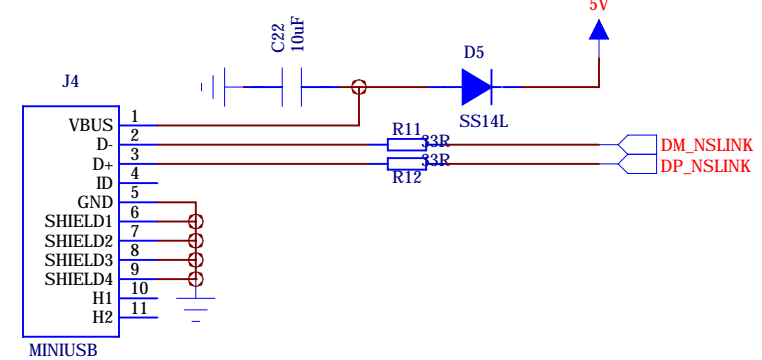
TITLE: N32G43XCL_STB	
SIZE: A3	REV: V1.1
DATED: 2020-07-16	SHEET:1 OF 2

NS-LINK

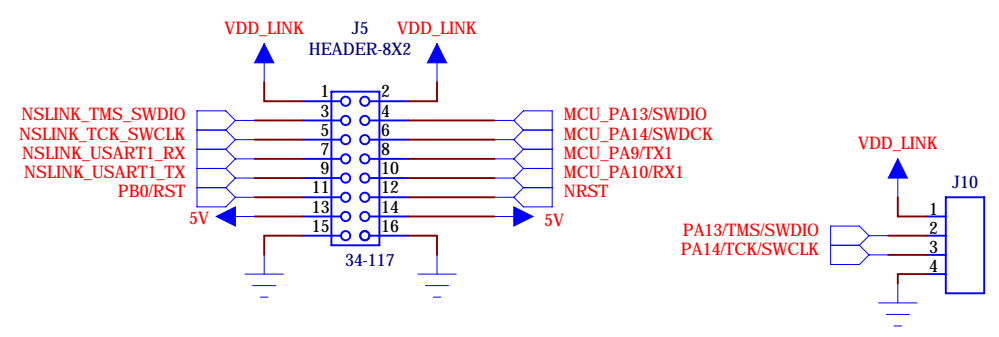
MCU



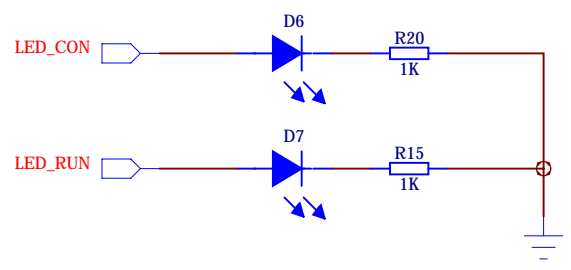
DEBUG USB



HEADER



LED



Nation

TITLE: N32G43XCL_STB

SIZE: A3 REV: V1.1

DATED: 2020-07-16 SHEET2 OF 2