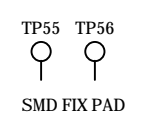
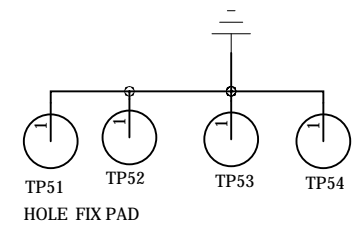
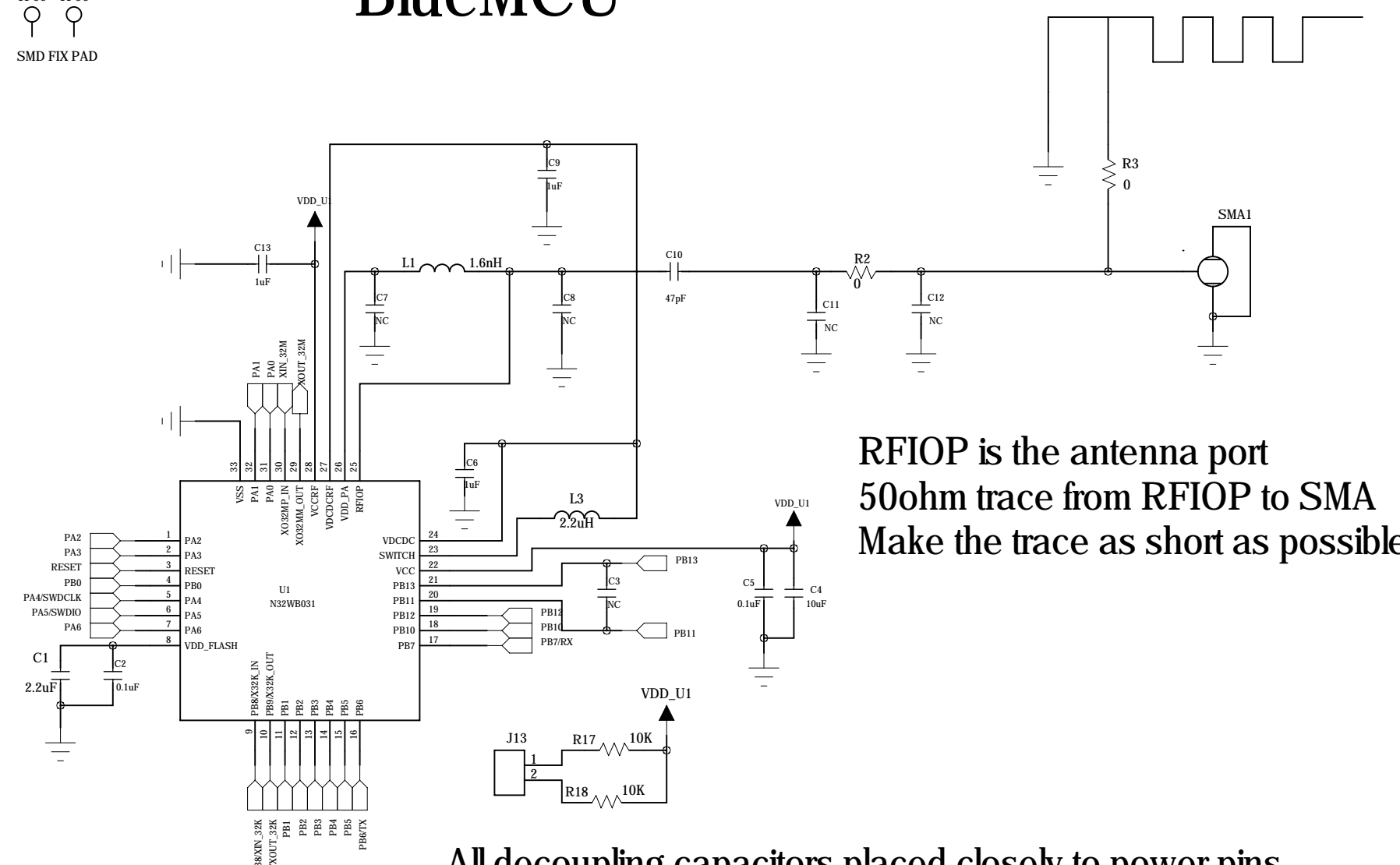


REVISION RECORD			
LTR	ECO NO:	APPROVED:	DATE:



BlueMCU

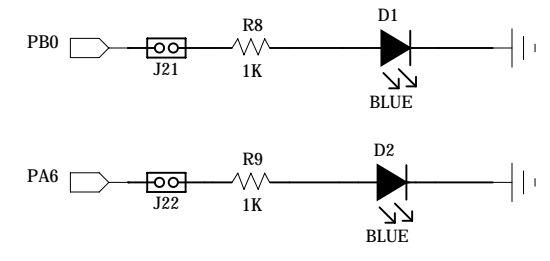
VDD_PA generates voltage to bias internal PA
Radio signal on L1



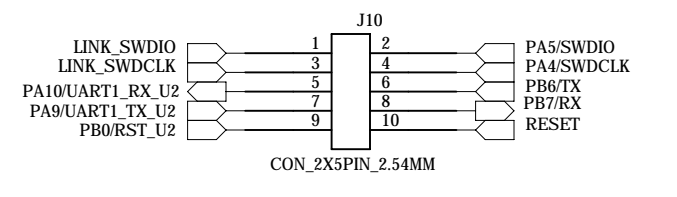
RFIOP is the antenna port
50ohm trace from RFIOP to SMA
Make the trace as short as possible

All decoupling capacitors placed closely to power pins
Small decoupling capacitor placed closer

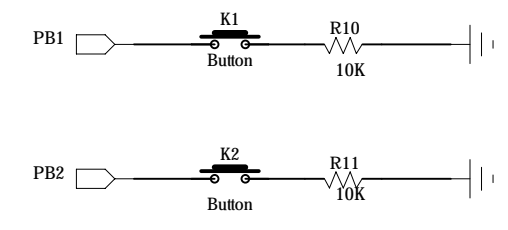
LED



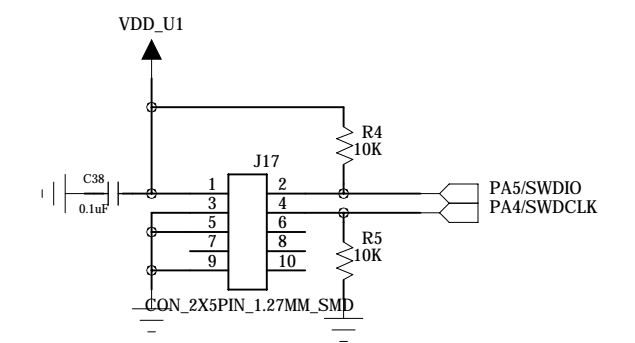
LINK_PIN



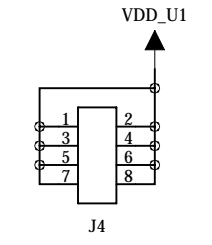
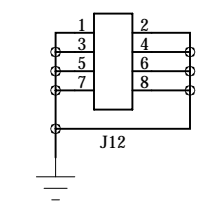
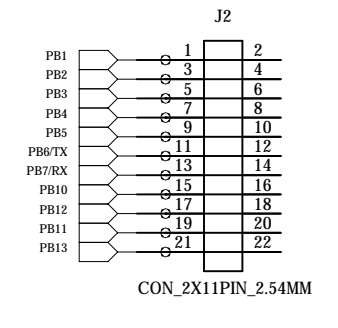
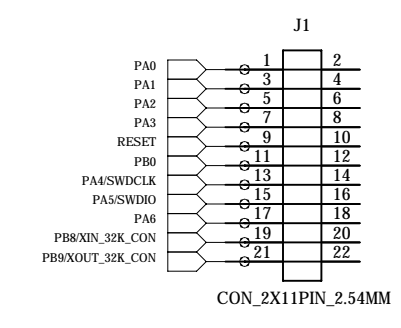
KEY



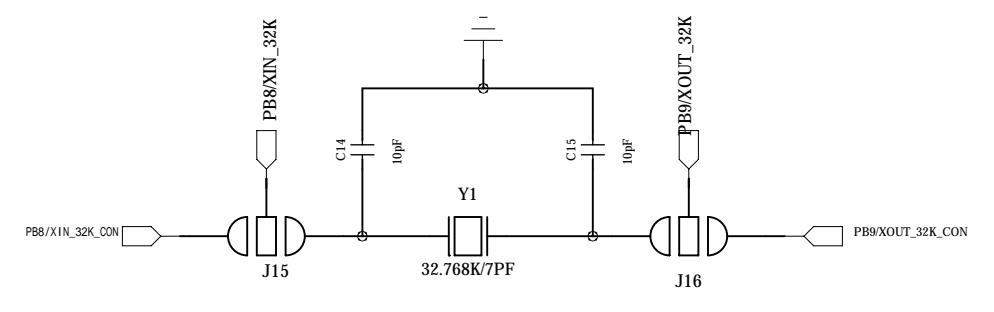
Debug



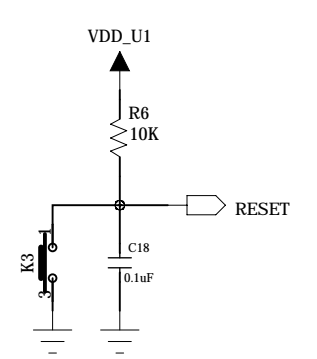
CON PIN



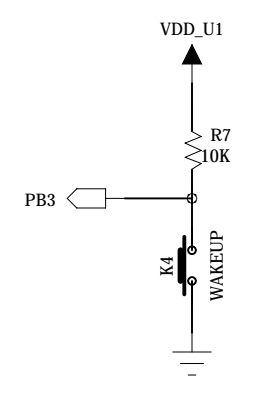
XTAL



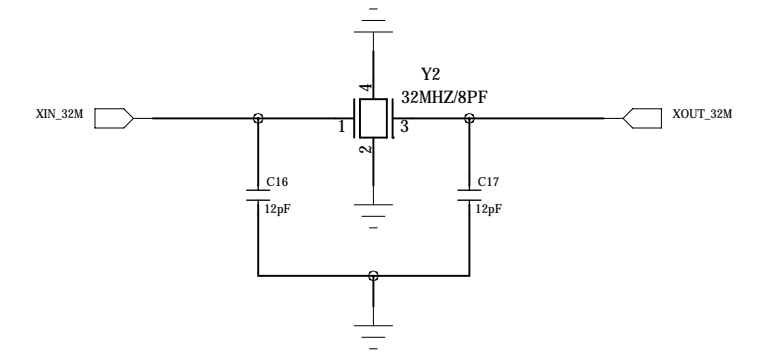
RESET



WAKEUP



XTAL



TITLE: N32WB031_STB	
MODEL NO:	REV: V1.2
CUSTOMER:	DRAWN: LI JING
SHEET: 1 OF 2	CHKD:
DATED: 2021-9-10	APPD:
COMPANY:	

