

6

5

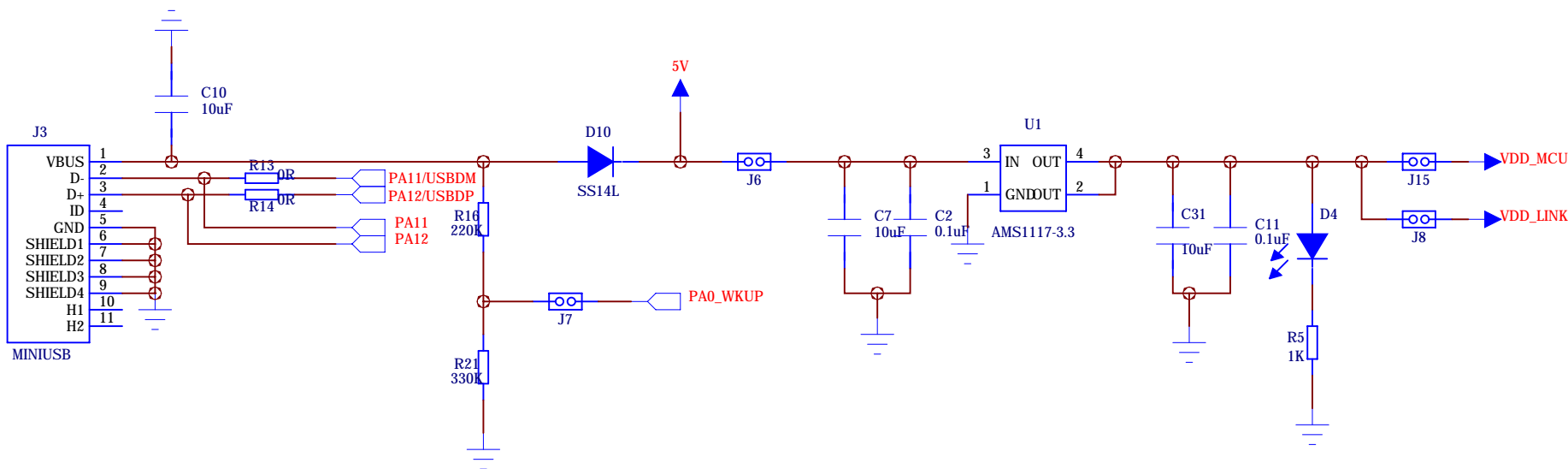
4

3

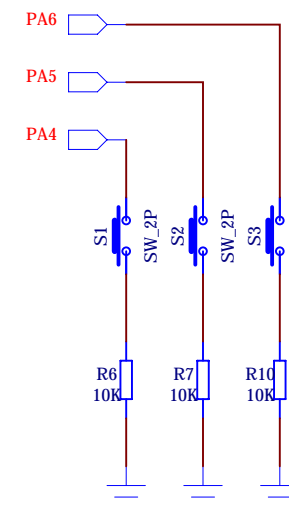
2

1

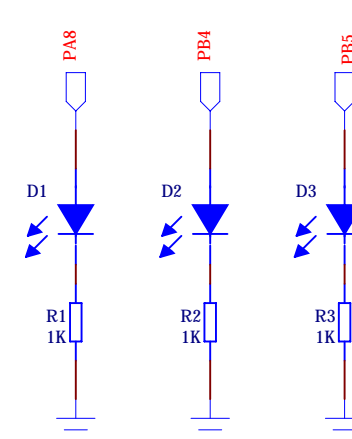
USB 5V IN



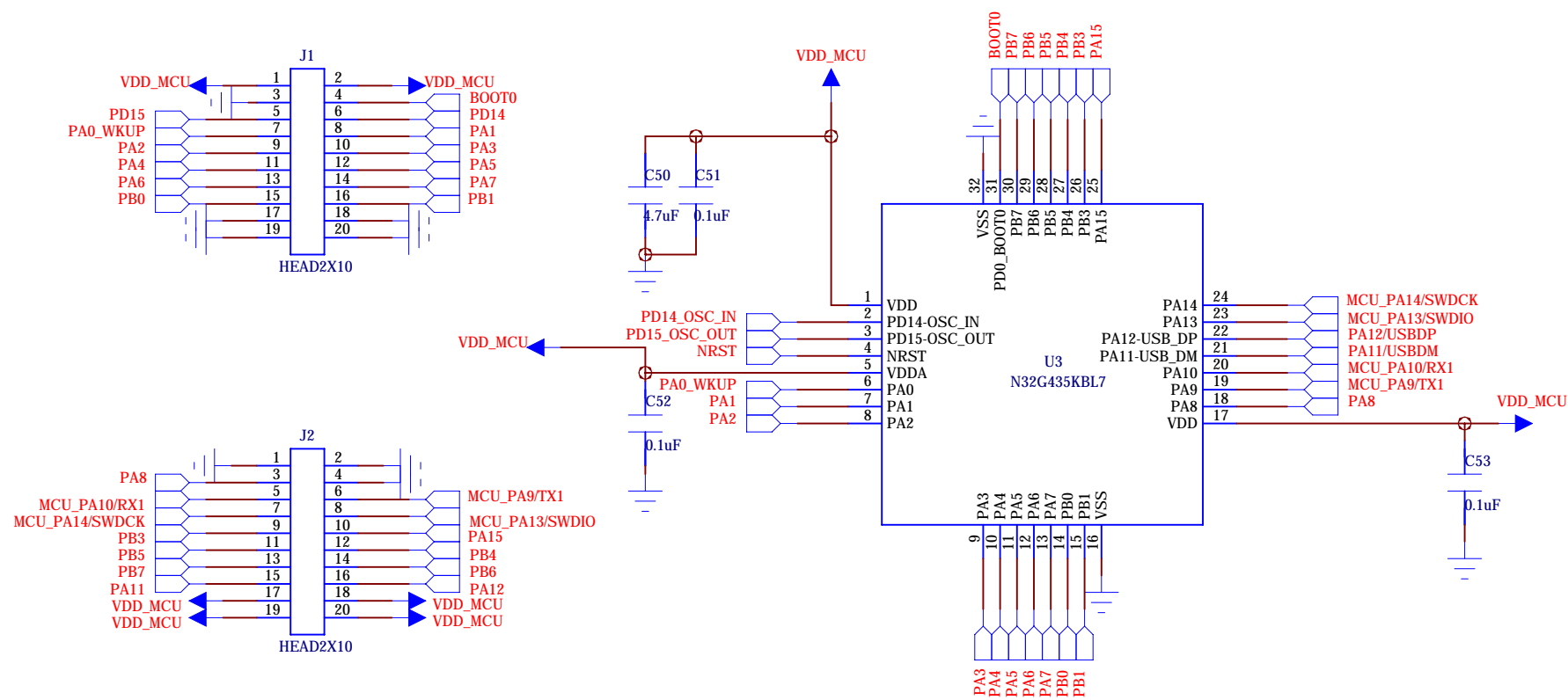
KEY



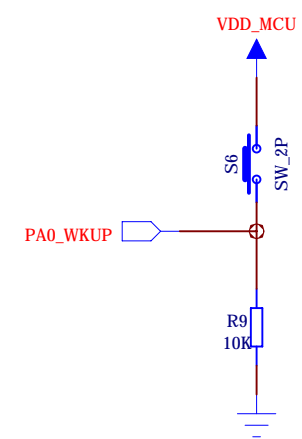
LED



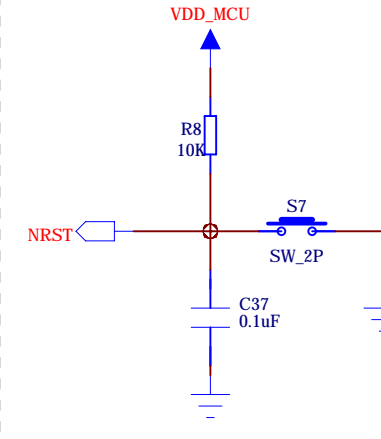
MCU



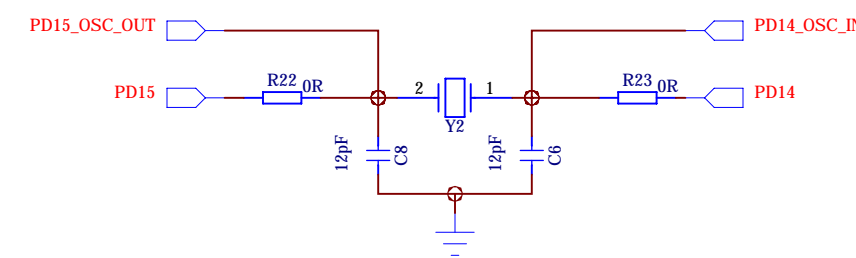
MCU WAKEUP



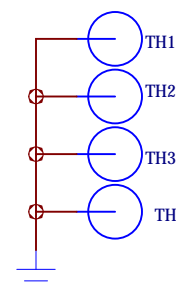
RESET



8M Crystal



Mechanical Hole

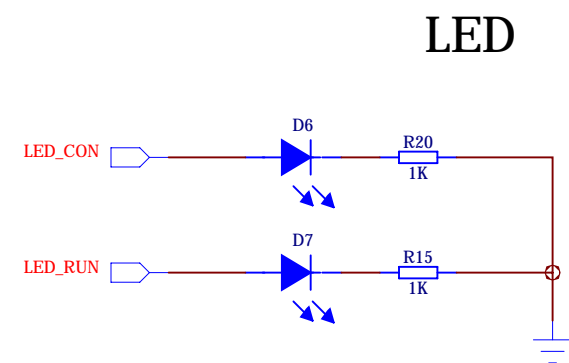
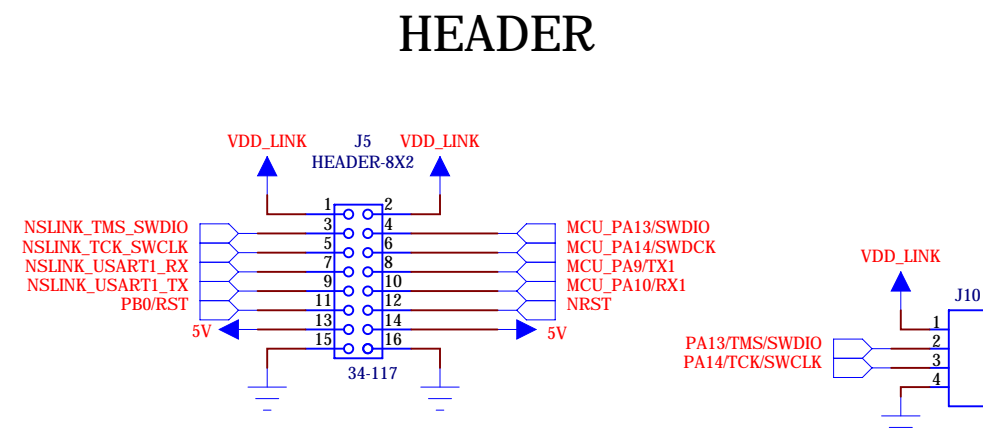
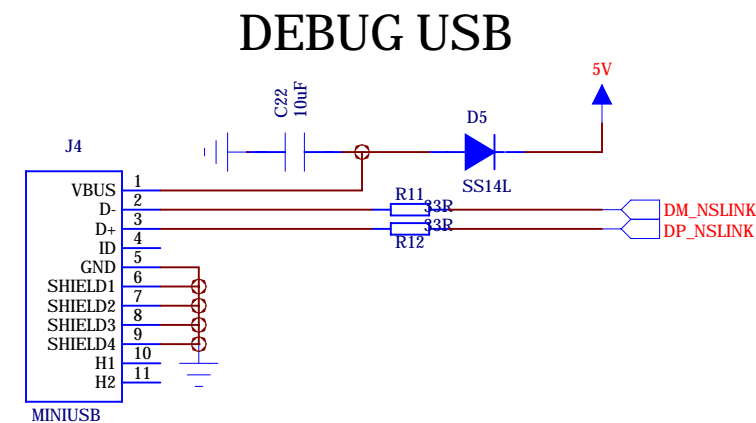
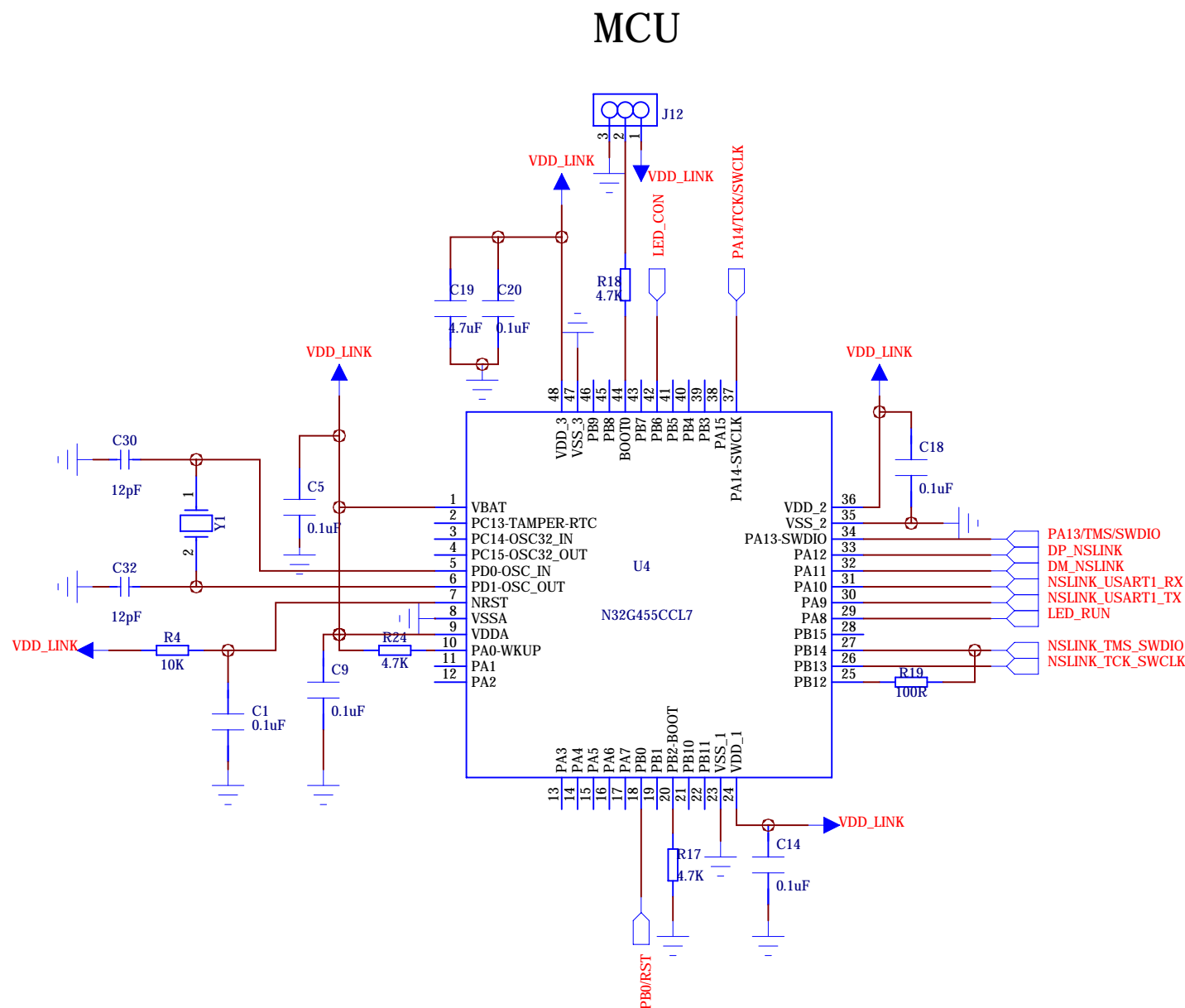


TITLE: N32G43XKL_STB

SIZE: A3 REV: V1.1

DATED: 2020-07-16 SHEET: 1 OF 2

NS-LINK



TITLE: N32G43XKL_STB

SIZE: A3 REV: V1.1

DATED: 2020-07-16 SHEET2 OF 2