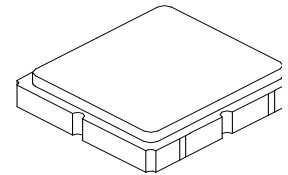


RO3144E/E-1/E-2

916.5 MHz SAW Resonator



**SM3030-6 Case
3.0 X 3.0**

- Ideal for 916.5 MHz Remote Control and Data Telemetry Transmitters
- Very Low Series Resistance
- Quartz Stability
- Complies with Directive 2002/95/EC (RoHS)



The RO3144E is a true one-port, surface-acoustic-wave (SAW) resonator in a surface-mount ceramic case. It provides reliable, fundamental-mode stabilization of fixed-frequency transmitters operating at 916.5 MHz. This SAW is designed specifically for remote control and data telemetry transmitters operating in the USA under FCC Part 15 regulations and in Canada under DoC RSS-210.

Absolute Maximum Ratings

| Rating | Value | Units |
|-----------------------------|-------------|-------|
| Input Power Level | 0 | dBm |
| DC Voltage | 12 | VDC |
| Storage Temperature | -40 to +125 | °C |
| Operating Temperature Range | -40 to +125 | °C |
| Soldering Temperature | 260 | °C |

Electrical Characteristics

| Characteristic | Sym | Notes | Minimum | Typical | Maximum | Units | |
|--|--------------------------------------|-------------------|--|--------------------|----------------|-------|---------------------|
| Frequency, +25 °C | RO3144E | 2, 3, 4, 5 | 916.300 | | 916.700 | MHz | |
| | RO3144E-1 | | 916.350 | | 916.650 | | |
| | RO3144E-2 | | 916.400 | | 916.600 | | |
| Tolerance from 916.5 MHz | RO3144E | Δf _C | | | ±200 | kHz | |
| | RO3144E-1 | | | | ±150 | | |
| | RO3144E-2 | | | | ±100 | | |
| Insertion Loss | | IL | 2, 5, 6 | 1.2 | 1.6 | dB | |
| Quality Factor | Unloaded Q | Q _U | 5, 6, 7 | 6400 | | | |
| | 50 Ω Loaded Q | Q _L | | 780 | | | |
| Temperature Stability | Turnover Temperature | T _O | 6, 7, 8 | 15 | 25 | 40 | °C |
| | Turnover Frequency | f _O | | | f _c | | MHz |
| | Frequency Temperature Coefficient | FTC | | | 0.032 | | ppm/°C ² |
| Frequency Aging | Absolute Value during the First Year | fA | 1 | 10 | | ppm | |
| DC Insulation Resistance between Any Two Terminals | | | 5 | 1.0 | | MΩ | |
| RF Equivalent RLC Model | Motional Resistance | R _M | 5, 6, 7, 9 | 14 | | Ω | |
| | Motional Inductance | L _M | | 15.4 | | μH | |
| | Motional Capacitance | C _M | | 1.9 | | fF | |
| | Transducer Static Capacitance | C _O | | 1.9 | | pF | |
| Test Fixture Shunt Inductance | | L _{TEST} | 2, 7 | 16 | | nH | |
| Lid Symbolization | | | RO3144E 693, RO3144E-1 769, RO3144E-2 770 / YWWS | | | | |
| Standard Reel Quantity | Reel Size 7 Inch | | 10 | 500 Pieces / Reel | | | |
| | Reel Size 13 Inch | | | 3000 Pieces / Reel | | | |



CAUTION: Electrostatic Sensitive Device. Observe precautions for handling.

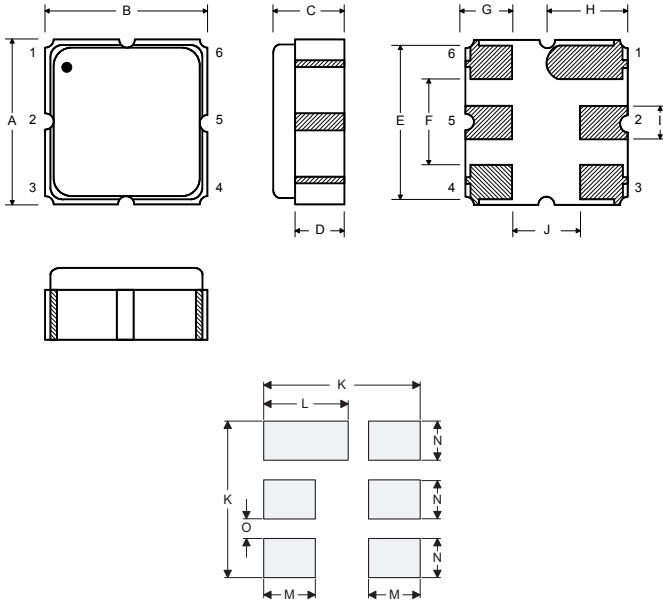
NOTES:

- Frequency aging is the change in f_C with time and is specified at +65 °C or less. Aging may exceed the specification for prolonged temperatures above +65 °C. Typically, aging is greatest the first year after manufacture, decreasing in subsequent years.
- The center frequency, f_C, is measured at the minimum insertion loss point, IL_{MIN}, with the resonator in the 50 Ω test system (VSWR ≤ 1.2:1). The shunt inductance, L_{TEST}, is tuned for parallel resonance with C_O at f_C. Typically, f_{OSCILLATOR} or f_{TRANSMITTER} is approximately equal to the resonator f_C.
- One or more of the following United States patents apply: 4,454,488 and 4,616,197.
- Typically, equipment utilizing this device requires emissions testing and government approval, which is the responsibility of the equipment manufacturer.
- Unless noted otherwise, case temperature T_C = +25 ± 2 °C.
- The design, manufacturing process, and specifications of this device are subject to change without notice.
- Derived mathematically from one or more of the following directly measured parameters: f_C, IL, 3 dB bandwidth, f_C versus T_C, and C_O.
- Turnover temperature, T_O, is the temperature of maximum (or turnover) frequency, f_O. The nominal frequency at any case temperature, T_C, may be calculated from:
f = f_O [1 - FTC (T_O - T_C)²]. Typically oscillator T_O is approximately equal to the specified resonator T_O.
- This equivalent RLC model approximates resonator performance near the resonant frequency and is provided for reference only. The capacitance C_O is the static (nonmotional) capacitance between the two terminals measured at low frequency (10 MHz) with a capacitance meter. The measurement includes parasitic capacitance with "NC" pads unconnected. Case parasitic capacitance is approximately 0.05 pF. Transducer parallel capacitance can be calculated as: C_P ≈ C_O - 0.05 pF.
- Tape and Reel Standard for ANSI / EIA 481.

Electrical Connections

The SAW resonator is bidirectional and may be installed with either orientation. The two terminals are interchangeable and unnumbered. The callout NC indicates no internal connection. The NC pads assist with mechanical positioning and stability. External grounding of the NC pads is recommended to help reduce parasitic capacitance in the circuit.

| Pin | Connection |
|-----|------------|
| 1 | NC |
| 2 | Terminal |
| 3 | NC |
| 4 | NC |
| 5 | Terminal |
| 6 | NC |



Case and Typical PCB Land Dimensions

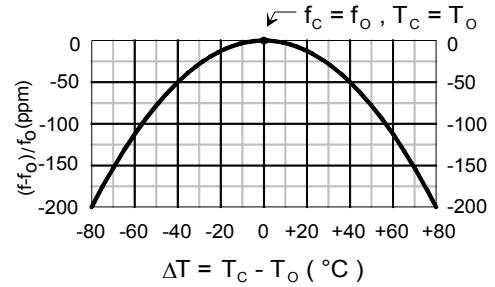
| Ref | mm | | | Inches | | |
|-----|------|------|------|--------|-------|-------|
| | Min | Nom | Max | Min | Nom | Max |
| A | 2.87 | 3.00 | 3.13 | 0.113 | 0.118 | 0.123 |
| B | 2.87 | 3.00 | 3.13 | 0.113 | 0.118 | 0.123 |
| C | 1.12 | 1.25 | 1.38 | 0.044 | 0.049 | 0.054 |
| D | 0.77 | 0.90 | 1.03 | 0.030 | 0.035 | 0.040 |
| E | 2.67 | 2.80 | 2.93 | 0.105 | 0.110 | 0.115 |
| F | 1.47 | 1.60 | 1.73 | 0.058 | 0.063 | 0.068 |
| G | 0.72 | 0.85 | 0.98 | 0.028 | 0.033 | 0.038 |
| H | 1.37 | 1.50 | 1.63 | 0.054 | 0.059 | 0.064 |
| I | 0.47 | 0.60 | 0.73 | 0.019 | 0.024 | 0.029 |
| J | 1.17 | 1.30 | 1.43 | 0.046 | 0.051 | 0.056 |
| K | | 3.20 | | | 0.126 | |
| L | | 1.70 | | | 0.067 | |
| M | | 1.05 | | | 0.041 | |
| N | | 0.81 | | | 0.032 | |
| O | | 0.38 | | | 0.015 | |

Equivalent RLC Model



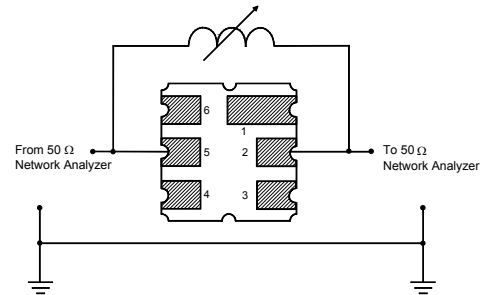
Temperature Characteristics

The curve shown accounts for resonator contribution only and does not include external LC component temperature effects.

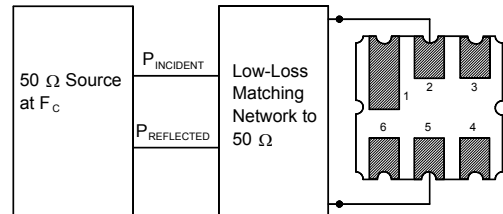


Characterization Test Circuit

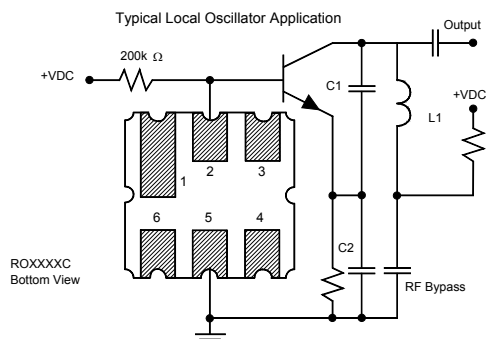
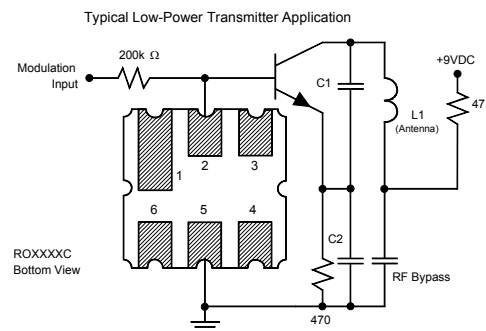
Inductor L_{TEST} is tuned to resonate with the static capacitance, C_0 , at F_c .



Power Dissipation Test



Example Application Circuits



Mouser Electronics

Authorized Distributor

Click to View Pricing, Inventory, Delivery & Lifecycle Information:

[Murata:](#)

[RO3144E-2](#) [RO3144E-1](#) [RO3144E](#)