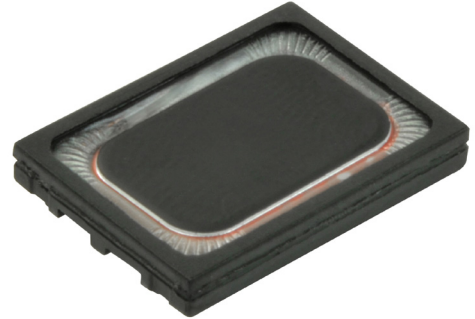


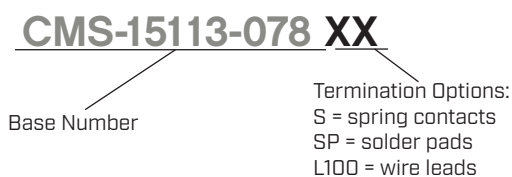
SERIES: CMS-15113-078X | **DESCRIPTION:** SPEAKER**FEATURES**

- micro-speaker
- 8 Ω impedance
- rated 0.7 W
- 3 available contact methods

**SPECIFICATIONS**

| parameter | conditions/description | min | typ | max | units |
|-------------------------|--|------------|--------------|--------------|--------------|
| input power | max power: as per IEC-268-5, in 1 cc box | | 0.7 | 1.0 | W |
| impedance | at 2.0 kHz, 2.37 Vrms | 6.8 | 8 | 9.2 | Ω |
| coil resistance | | 6.48 | 7.2 | 7.92 | Ω |
| resonant frequency (Fo) | at 1.0 Vrms in free air, 10 cm at 2.37 Vrms in 1 cc box, 10 cm | 560 800 | 700 1,000 | 840 1,200 | Hz Hz |
| frequency response | | 100 | | 20,000 | Hz |
| sound pressure level | at 0.7 W, 10 cm, avg 0.8, 1.0, 1.5, 2.0 kHz, 1 cc box | 88 | 91 | 94 | dB |
| distortion | at 800~1,200 Hz, 2.37 Vrms, 10 cm at 1,201~5,000 Hz, 2.37 Vrms, 10 cm | | | 15 10 | % % |
| buzz, rattle, etc. | must be normal at sine wave, 0.2~2 kHz, 1 cc box | | | 2.37 | Vrms |
| polarity | cone moves forward w/ positive dc current to "+" terminal | | | | |
| dimensions | 15 x 11 x 3 | | | | mm |
| magnet | Nd-Fe-B | | | | |
| cone material | PEEK | | | | |
| weight | | | 1.5 | | g |
| operating temperature | | -20 | | 70 | $^{\circ}$ C |
| storage temperature | | -40 | | 85 | $^{\circ}$ C |
| hand soldering | for maximum 3 seconds (N/A for spring contacts) | | | 380 | $^{\circ}$ C |
| RoHS | yes | | | | |

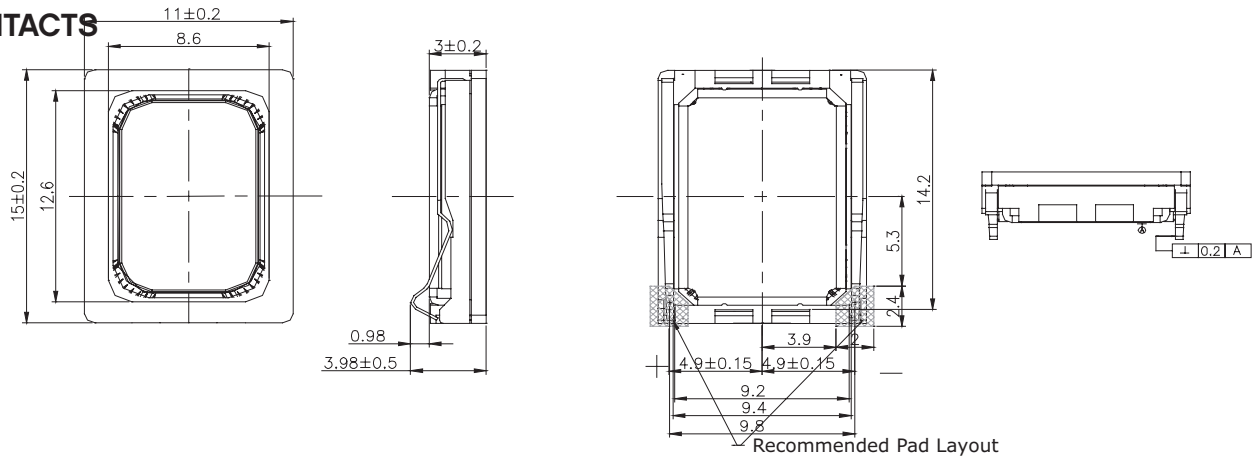
Notes: 1. All specifications measured at 15~35 $^{\circ}$ C, humidity at 25~75%, under 86~106 kPa pressure, unless otherwise noted.

PART NUMBER KEY

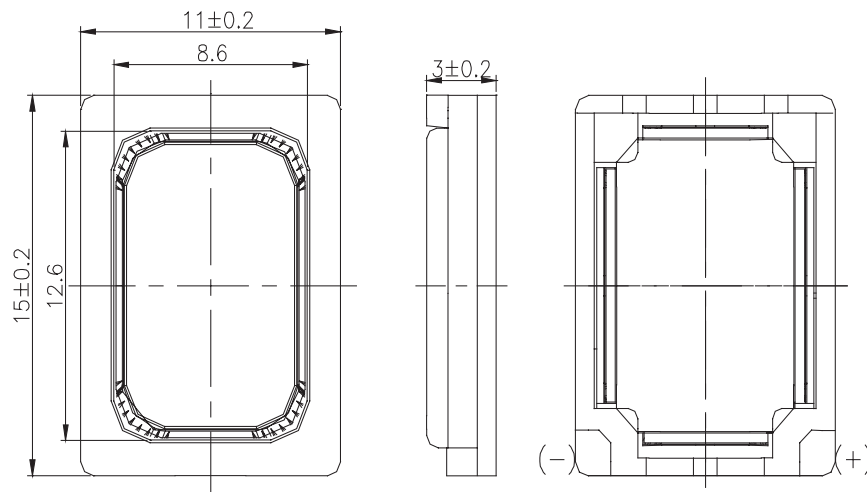
MECHANICAL DRAWINGS

units: mm
tolerance: ± 0.2 mm

SPRING CONTACTS

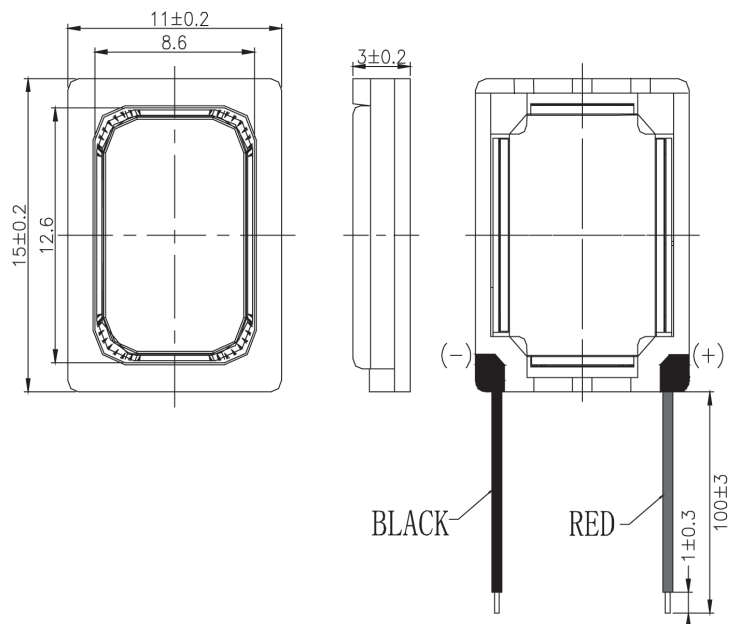


SOLDER PADS



WIRE LEADS

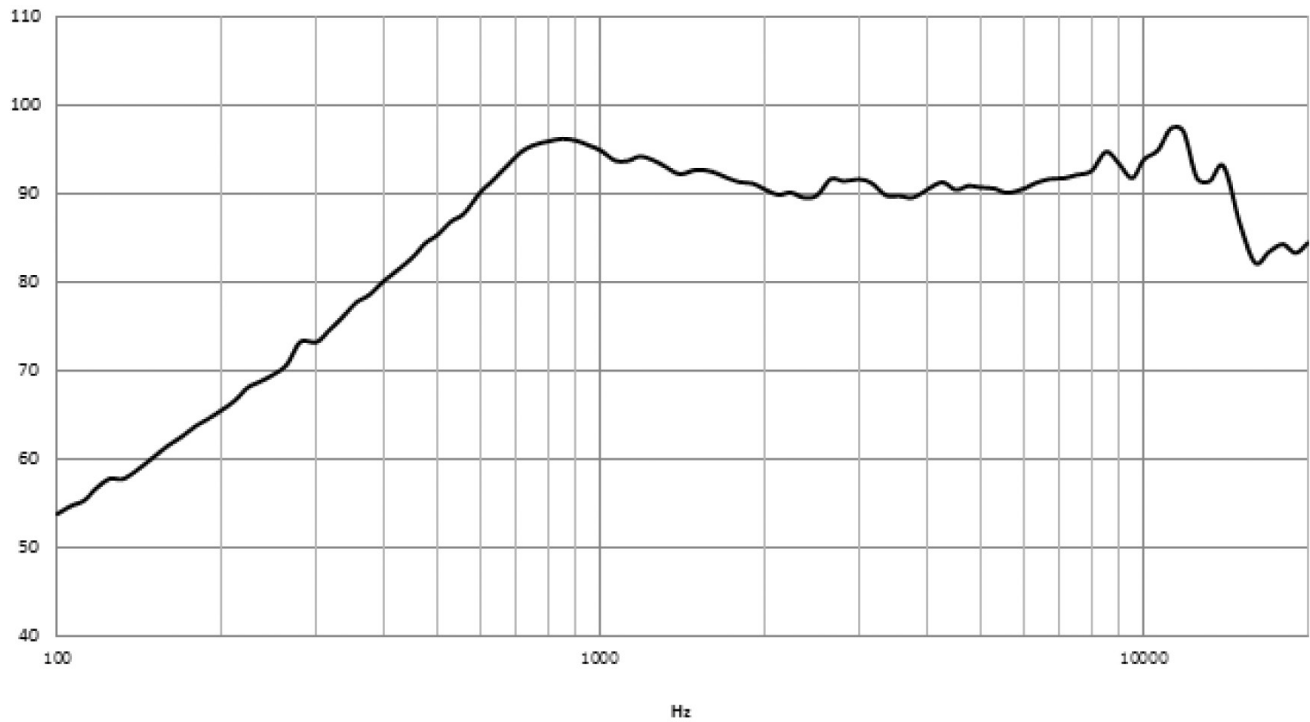
wire: UL 1571, 32 AWG



RESPONSE CURVES

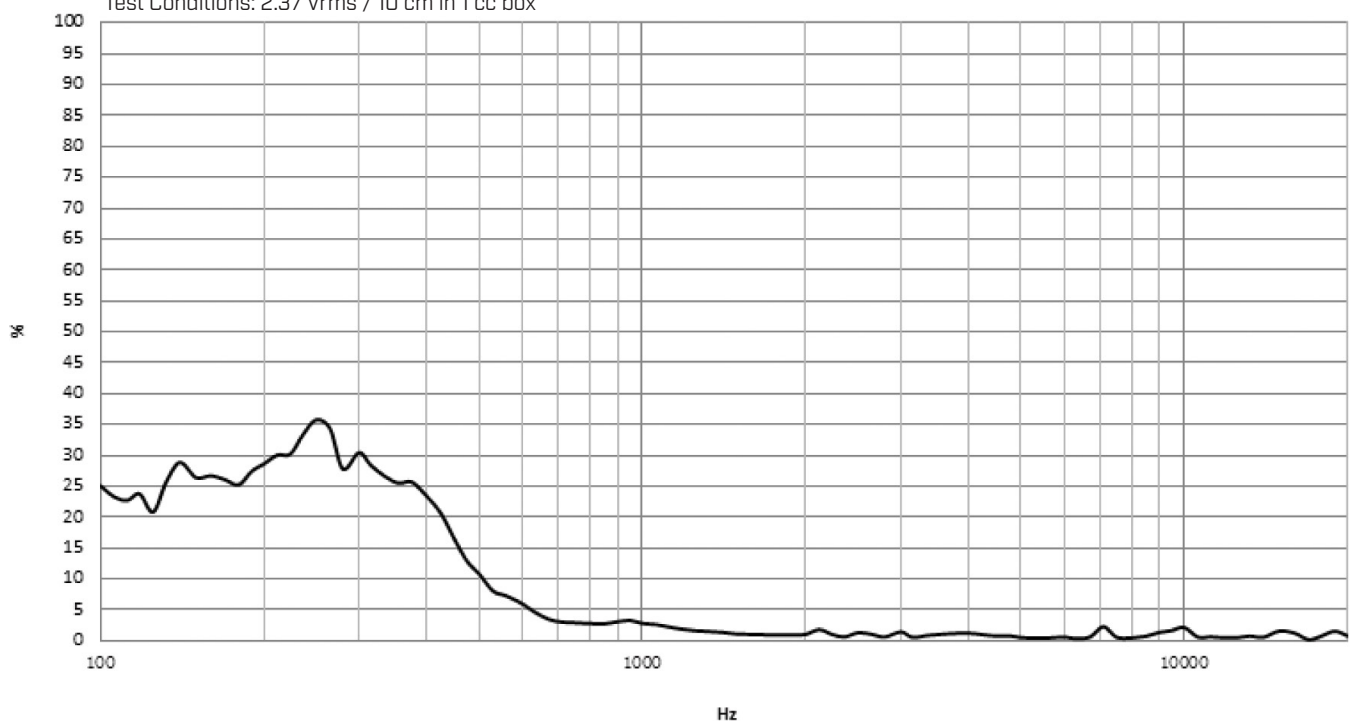
Frequency Response Curve

Test Conditions: 2.37 Vrms / 10 cm in 1 cc box



Total Harmonic Distortion Curve

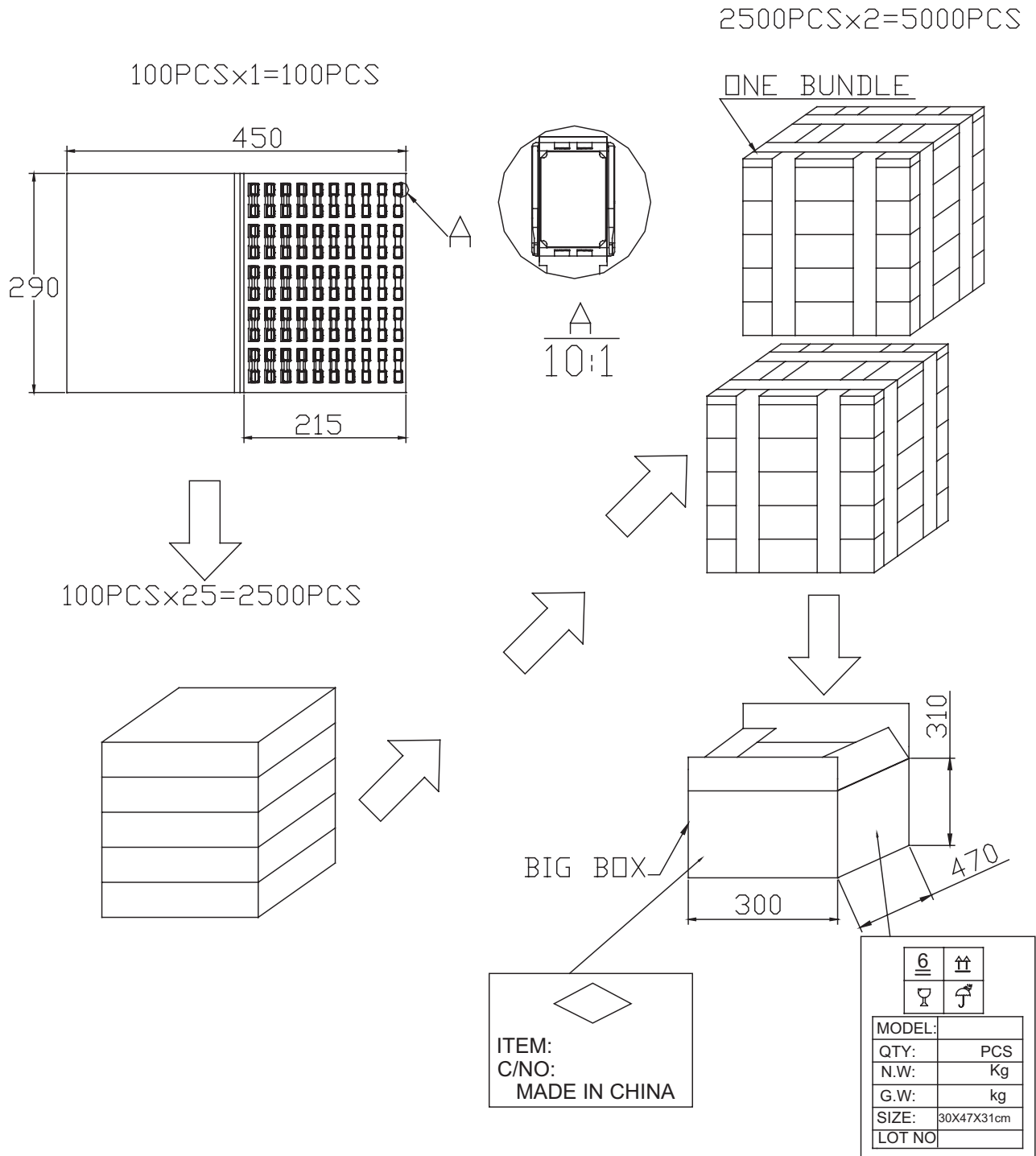
Test Conditions: 2.37 Vrms / 10 cm in 1 cc box



PACKAGING

units: mm

Tray QTY: 100 pcs per tray
 Tray Size: 290 x 215 mm
 Carton Size: 470 x 300 x 310 mm
 Carton QTY: 5,000 pcs per carton



REVISION HISTORY

| rev. | description | date |
|------|------------------------------|------------|
| 1.0 | initial release | 03/23/2018 |
| 1.01 | brand update | 12/16/2019 |
| 1.02 | updated packaging | 06/03/2020 |
| 1.03 | logo, datasheet style update | 08/05/2022 |

The revision history provided is for informational purposes only and is believed to be accurate.



CUI Devices offers a one (1) year limited warranty. Complete warranty information is listed on our website.

CUI Devices reserves the right to make changes to the product at any time without notice. Information provided by CUI Devices is believed to be accurate and reliable. However, no responsibility is assumed by CUI Devices for its use, nor for any infringements of patents or other rights of third parties which may result from its use.

CUI Devices products are not authorized or warranted for use as critical components in equipment that requires an extremely high level of reliability. A critical component is any component of a life support device or system whose failure to perform can be reasonably expected to cause the failure of the life support device or system, or to affect its safety or effectiveness.

cuidevices.com