

Linear/Saturating Choke



See below:

**Approvals and Compliances**

**Description**

- Linear/saturating choke
- Flexible wire
- Low noise development by using iron powder toroids instead of conventional iron lamination cores
- Fully potted resign

**Applications**

- Phase angle control circuits with thyristors, triacs or transistors
- The choke acts at its optimum when it is mounted directly at the interference originator (thyristor, triac)

**Weblinks**

[pdf data sheet](#), [html datasheet](#), [General Product Information](#), [Approvals](#), [Distributor-Stock-Check](#), [Detailed request for product](#)

**Technical Data**

Rated voltage	up to 440 VAC	Isolation Voltage	2 kV eff., winding to ambient
Rated Current	5 - 45 A @ Ta 45 °C	Climatic Category	25/100/21 acc. to IEC 60068-1
Power Operating Frequency	50 Hz	Allowable Operation Temp.	-25 °C to 100 °C
Terminal Type	THT, Flexible wire		
Weight	149 - 1423 g		
Material: Housing	UL 94V-0		
Sealing Compound	UL 94V-0		

**Approvals and Compliances**

Detailed information on product approvals, code requirements, usage instructions and detailed test conditions can be looked up in [Details about Approvals](#)

SCHURTER products are designed for use in industrial environments. They have approvals from independent testing bodies according to national and international standards. Products with specific characteristics and requirements such as required in the automotive sector according to IATF 16949, medical technology according to ISO 13485 or in the aerospace industry can be offered exclusively with customer-specific, individual agreements by SCHURTER.

**Application standards**

Application standards where the product can be used

Organization	Design	Standard	Description
	Designed for applications acc.	IEC/UL 62368-1	Audio/video, information and communication technology equipment - Part 1: Safety requirements

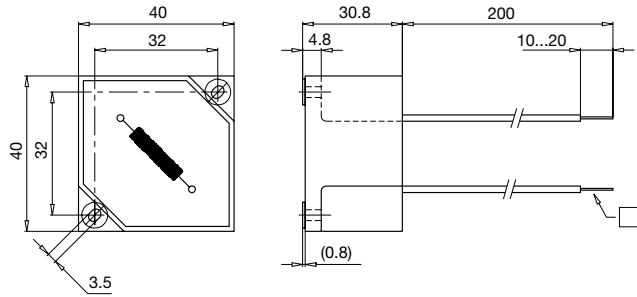
**Compliances**

The product complies with following Guide Lines

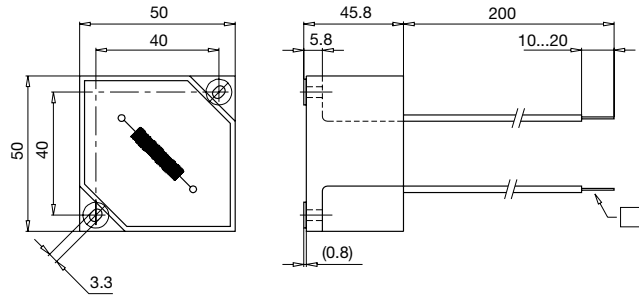
Identification	Details	Initiator	Description
	<a href="#">CE declaration of conformity</a>	SCHURTER AG	The CE marking declares that the product complies with the applicable requirements laid down in the harmonisation of Community legislation on its affixing in accordance with EU Regulation 765/2008.
	<a href="#">UKCA declaration of conformity</a>	SCHURTER AG	The UKCA marking declares that the product complies with the applicable requirements laid down in the British Amendment of Regulation (EC) 765/2008.
	RoHS	SCHURTER AG	Directive RoHS 2011/65/EU, Amendment (EU) 2015/863
	China RoHS	SCHURTER AG	The law SJ / T 11363-2006 (China RoHS) has been in force since 1 March 2007. It is similar to the EU directive RoHS.
	REACH	SCHURTER AG	On 1 June 2007, Regulation (EC) No 1907/2006 on the Registration, Evaluation, Authorization and Restriction of Chemicals 1 (abbreviated as "REACH") entered into force.

**Dimension [mm]**

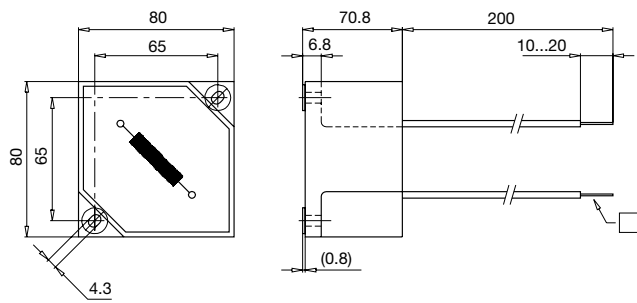
Case 25W



Case 47W



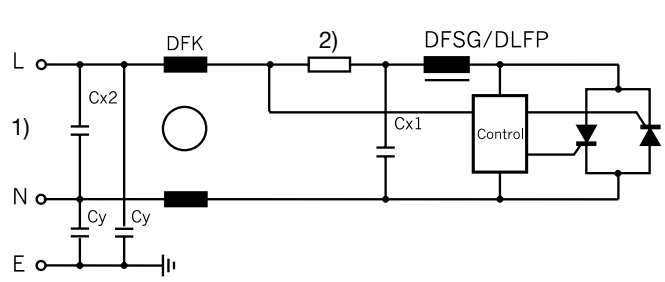
Case 32W



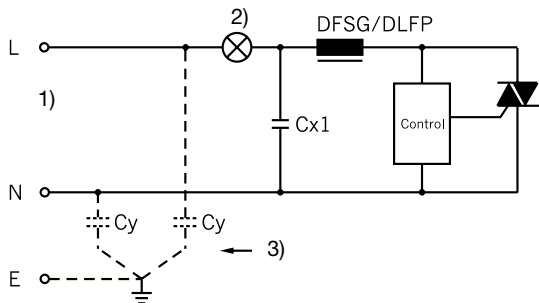
Diagrams



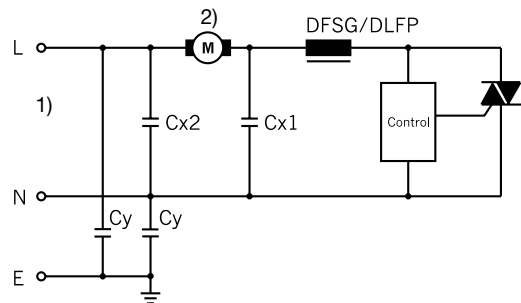
Interference suppression with resistive load, 2-phase  
 1) Line  
 2) Load



Interference suppression with resistive load, 2-stage  
 DFSG: Radio interference suppression saturation choke  
 DFK: Radio interference suppression choke magnetically condensated  
 1) Line  
 2) Load



Interference suppression with resistive load, < 10A, e.g. dimmers circuit (DFSG)  
 1) Line  
 2) Load  
 3) only to protection class I



Interference suppression with inductive load  
 1) Line  
 2) Load

Derating Curves



All Variants

$I_n$ [A]	$L_n$ [mH]	Inductance drop max [%]	$R_{Cu}$ [mΩ]	Tripped Power Dissipation	$f_{RES}$ [MHz]	$C_x$ [μF]	Copper $\phi$ [mm]	Weight [g]	Housing	Packing unit [pcs.]	Order Number
5	1	60	120	3	0.8	0.047	1	149g	25W	10	DLFP-0125-0501
8	0.5	60	54	3.5	1.32	0.1	1.25	150g	25W	10	DLFP-0125-08D5
12	0.5	60	38	5.5	1.16	0.1	1.7	350g	47W	6	DLFP-0147-12D5
16	0.3	60	25	6.4	1.69	0.22	1.8	320g	47W	6	DLFP-0147-16D3
25	0.15	60	10	6.3	2.5	0.47	2.36	350g	47W	6	DLFP-0147-25D2
35	0.05	60	5.3	6.5	3.5	1.5	1.5 x 4.5	338g	47W	6	DLFP-0147-35C5
45	0.2	70	6	12	1.1	1	5	1423g	32W	2	DLFP-0132-45D2

Availability for all products can be searched real-time: <https://www.schurter.com/en/Stock-Check/Stock-Check-SCHURTER>

Inductance drop at  $I_n$