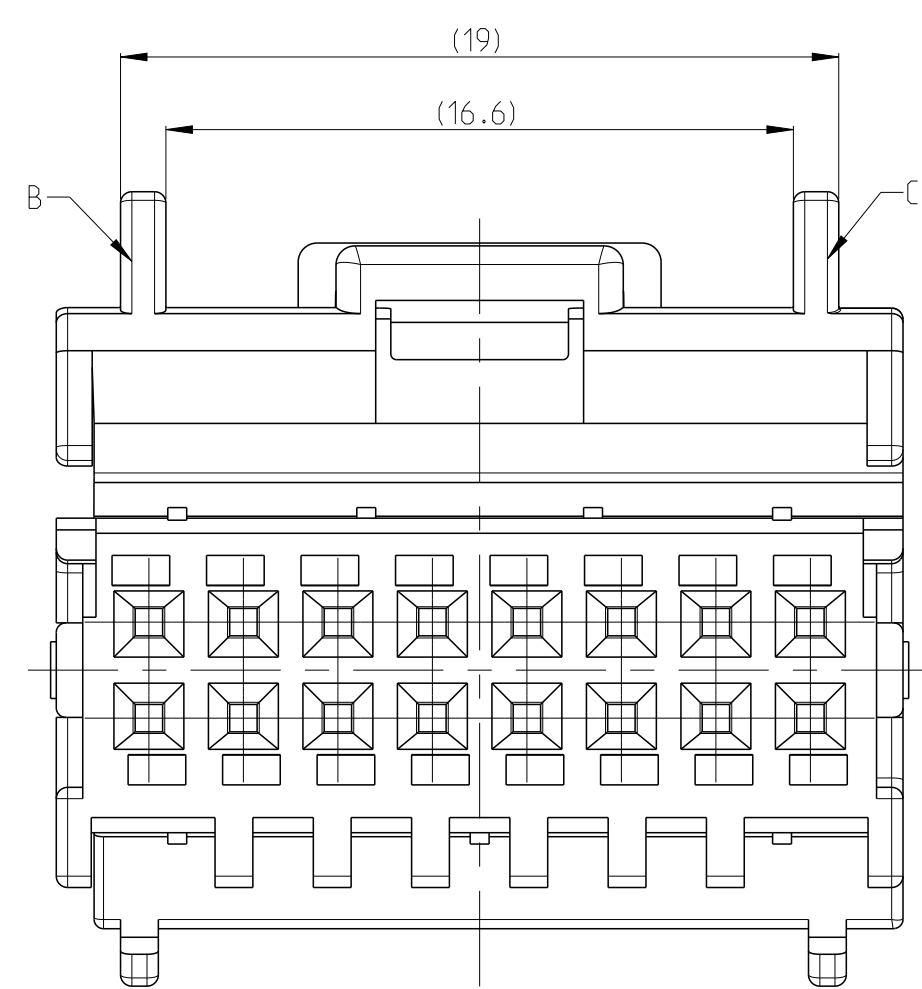
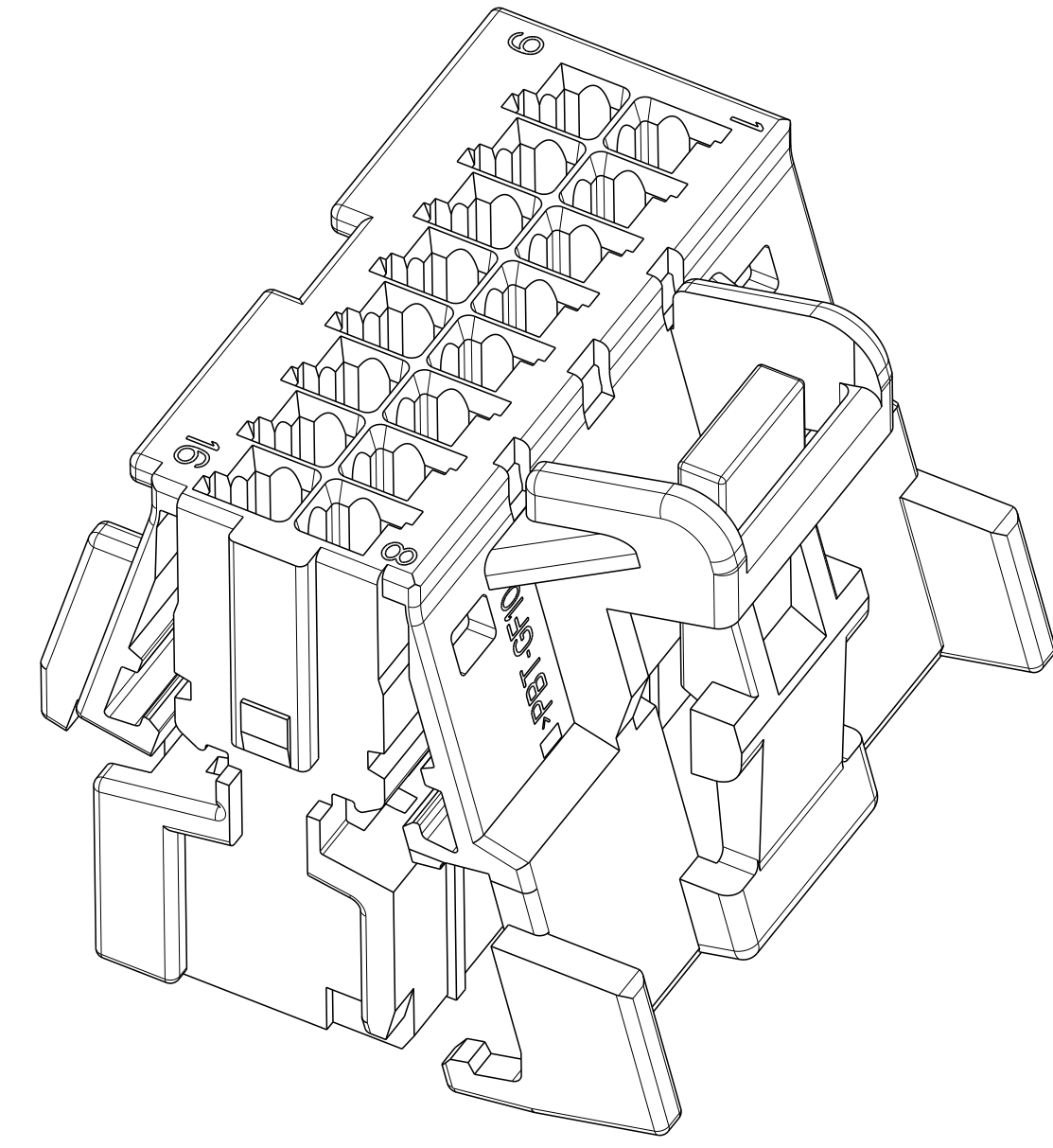
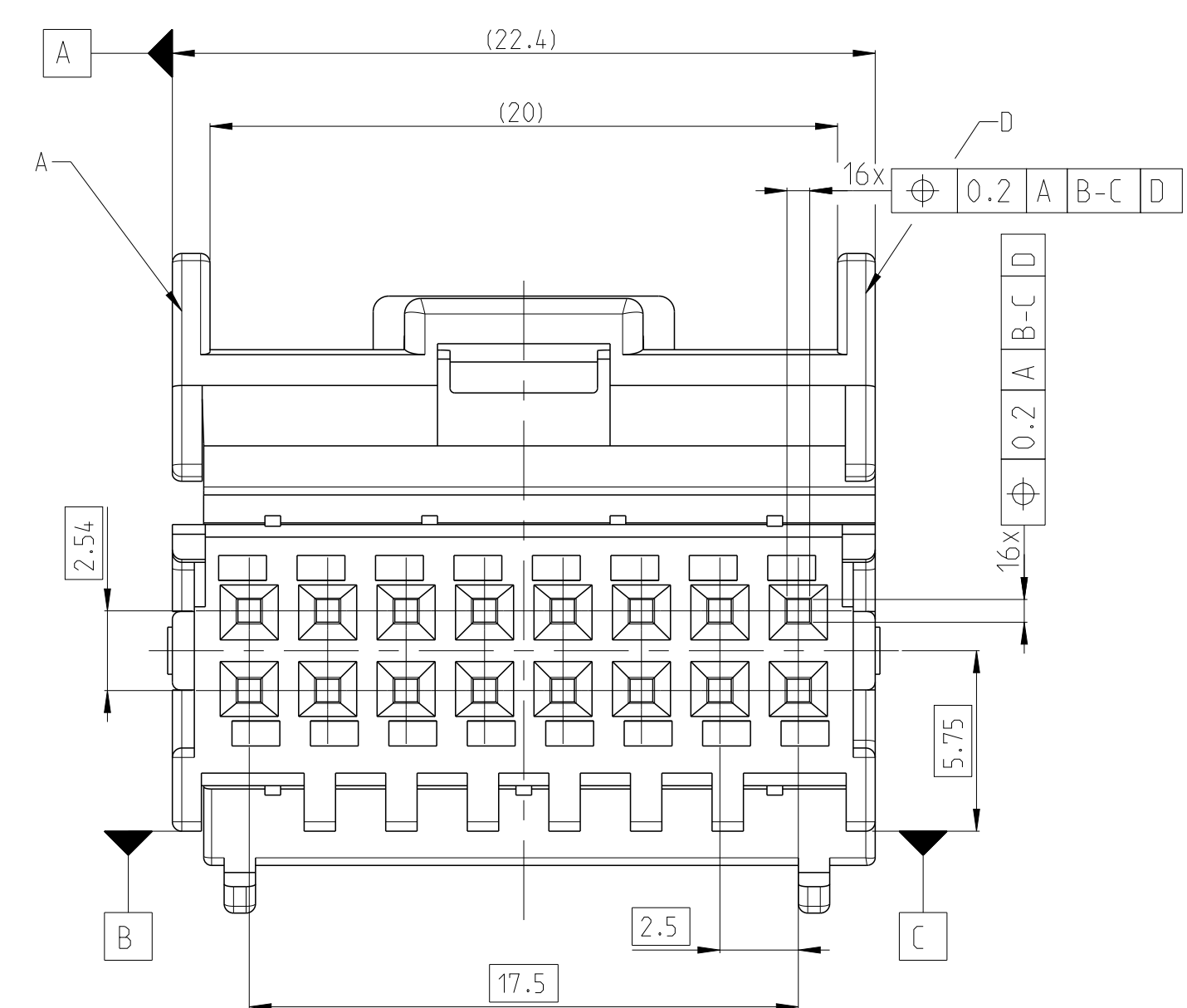


LOC		DIST		REVISIONS			
P	LTN	DESCRIPTION	DATE	DMN	APVD		
B1	ECR-18-016636		23OCT2018	J.L.	I.Y.		
C	ECR-19-004905		06JUN2019	J.L.	I.Y.		
C1	ECR-20-017707		15DEC2020	J.L.	J.Z		
C2	ECR-21-109036		03AUG2021	L.D	J.Z		

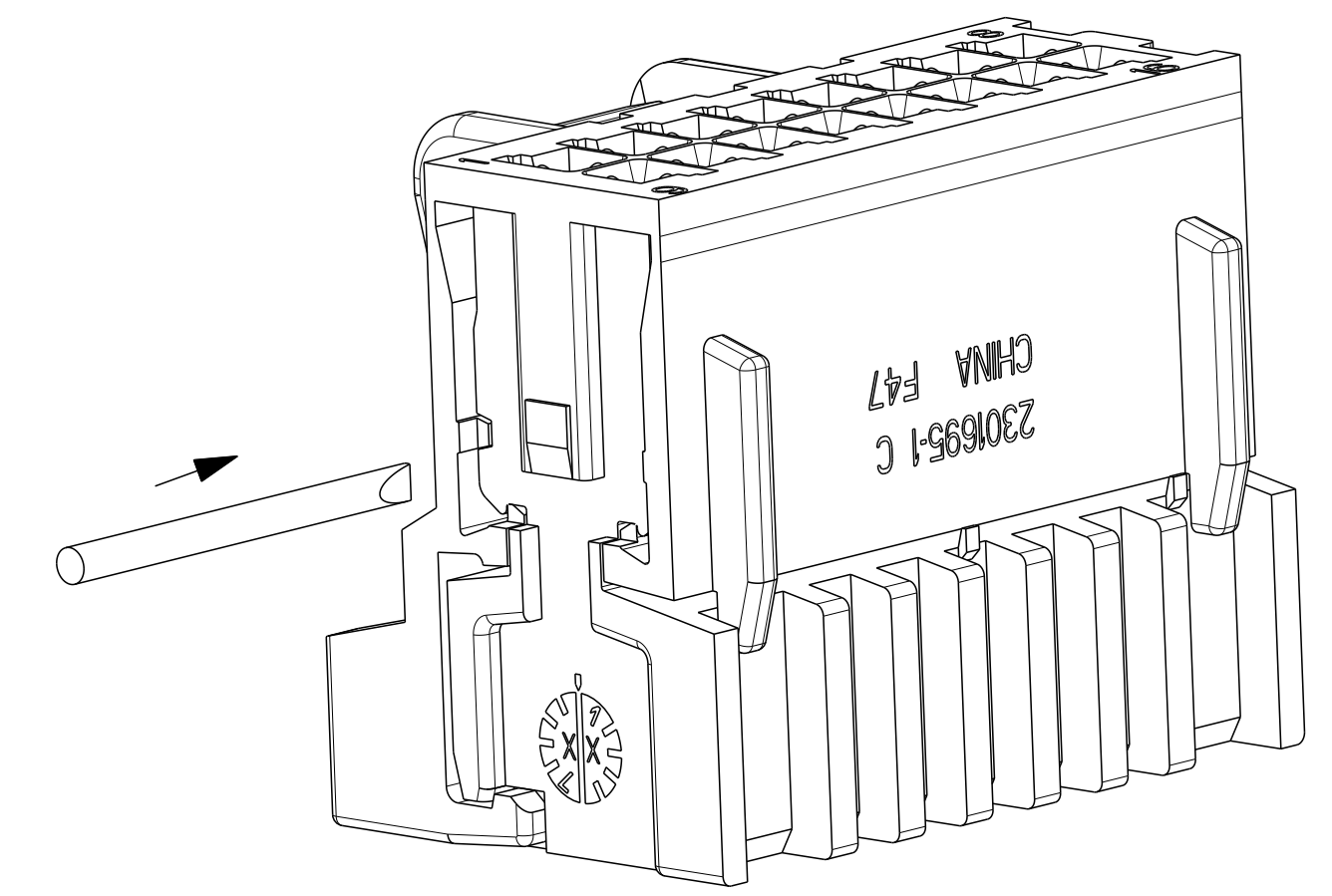
② CODING B.C
2301695-2 AS SHOWN



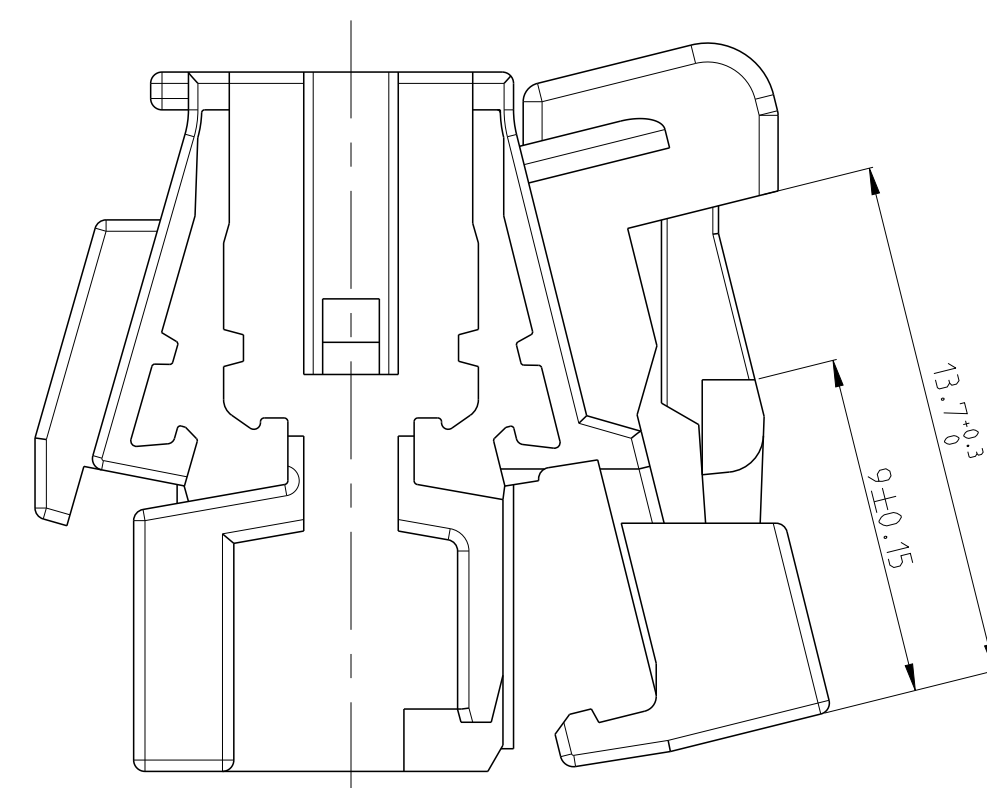
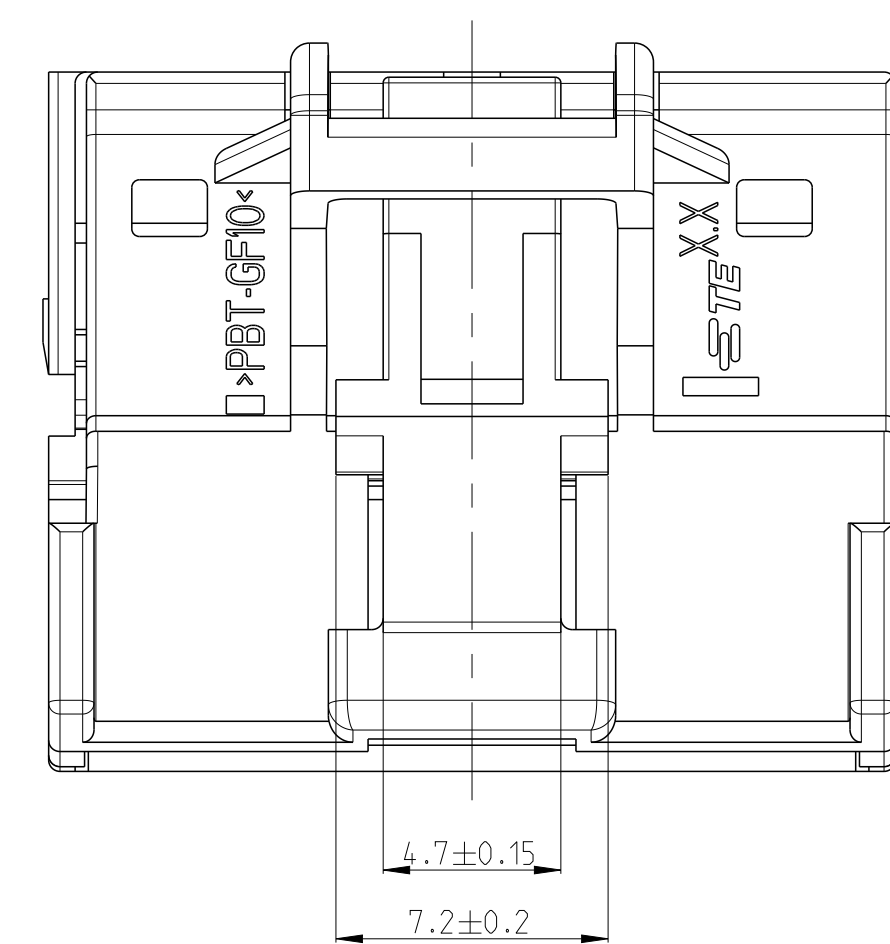
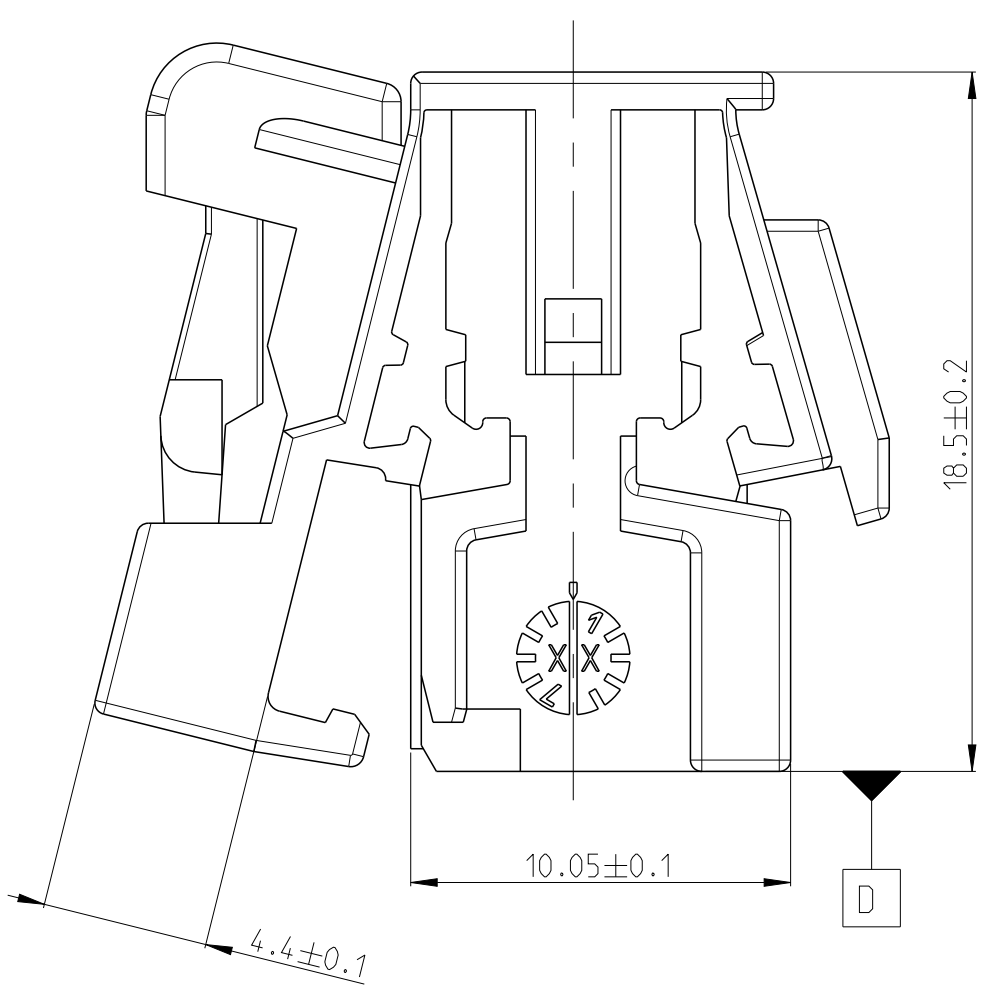
① CODING A.D
2301695-1 AS SHOWN



RETAINER CLOSED PICTURED



△ OPENING GUIDE: TO OPEN THE LOCKED RETAINER, USE A Ø 1x0.18MM SCREWDRIVER AND PUSH IT IN THE SHOWN OPENING.



NOTES

- MATING PART EXECUTION ACC. 114-18629
- SUITABLE CONTACTS 1355717, 928999, 963715
- SUITABLE MATING HOUSING 2298645, 966870
- MATERIAL REMOVAL OPTIONAL IN EXECUTION AND POSITION ACC. TO MANUFACTURER POSSIBLE
- PACKAGING: LOOSE PIECE IN CARDBOX
- △ CONDITION ON DELIVERY: SECONDARY LOCK DEVICE SHOULD BE IN PRELOCK POSITION -- IF IN ENDOCK POSITION AFTER TRANSPORTATION. PLEASE REOPEN IT IN ACCORDANCE THE OPENING GUIDE

PART NO	REV.	COD.	MATERIAL	COLOUR	RAL	WEIGHT [g]	ITEM NO.
2301695-5	C	A.C	PBT-GF10	GREEN	6018	3.3	5
2301695-4	C	B.D	PBT-GF10	BLUE	5012	3.3	4
2301695-3	C	A.C	PBT-GF10	NATURAL	-	3.3	3
2301695-2	C	B.C	PBT-GF10	BROWN	1011	3.3	2
2301695-1	C	A.D	PBT-GF10	BLACK	9011	3.3	1

THIS DRAWING IS A CONTROLLED DOCUMENT. DIMENSIONING AND TOLERANCING PER GPS (ISO STANDARDS)

DMN: T.DONG 18MAR2016
 CHN: J.ZONG 18MAR2016
 APVD: S.W.ANG 22APR2016

NAME: 16POS. MQS REC. HOUSING

SIZE: A1 CAGE CODE: 00779 DRAWING NO: 2301695

SCALE: 5:1 SHEET: 1 OF 1 REV: C2

TE Connectivity