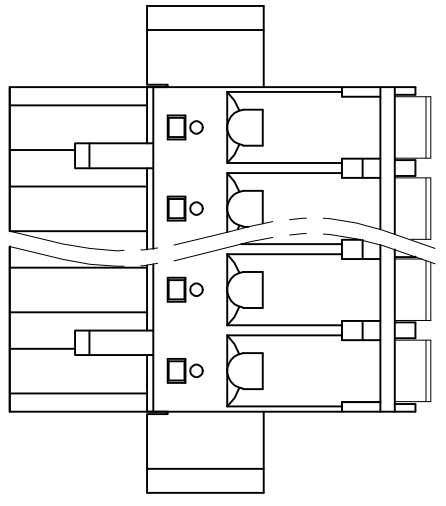
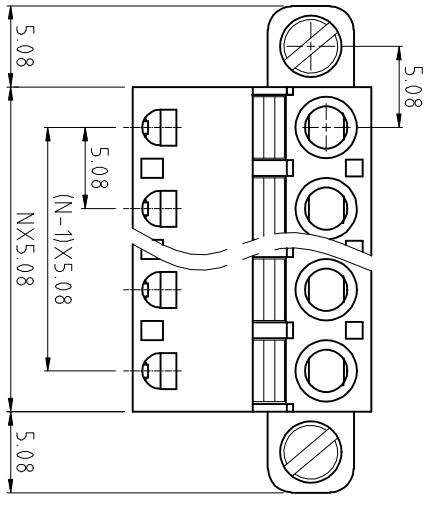
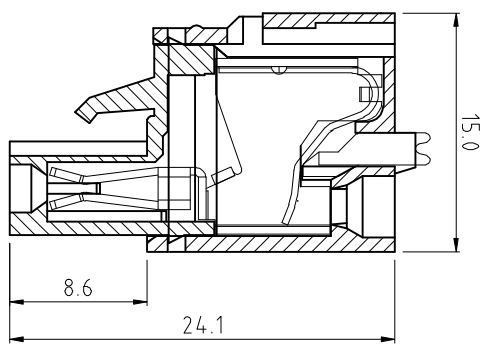
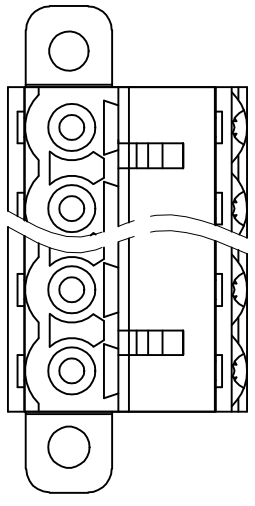


SIGN	DESCRIPTION	DATE	APPROVER



N=Number of contacts



Technical Data:
 Material:
 Terminal: Copper Alloy, Tin plated.
 Wire guard: Copper Alloy,
 Insulator body(housing): Polyamide(UL 94 V-0)
 Electrical:
 Voltage rating: 300VAC
 Current rating: 16 Amps/way max
 Contact resistance: 20mΩ (max)
 Withstanding Voltage: 2500VAC(1min) Test time=60sec/1pcs
 Wire range: 12-26AWG
 Mechanical:
 Operating temperature: -40°C to +105°C
 Soldering reliability:
 Test temperature= 250°C±10°C
 5 seconds max

Ordering Information:
 F75-l-E XX-0 X X 0

- 2 02 5 Green
- 6 Blue
- 0 Without Flange
- 1 With Flange

WELINK 恒翔电子科技有限公司
 Welink International Co., LTD.

TOLERANCE	APPROVED:	NAME:
X: ±0.50	CHECKED:	F75-l -Pitch 5.08mm
X.X: ±0.30	DRAWN: Yang Ming	-Series
X.XX: ±0.20	UNITS: mm	
X° ±1°	REV: A	
	SCALE 3 / 1	PART NO: F75lEXX001X0
	PAGE: 1 / 1	DWG NO: 9F75lE001A