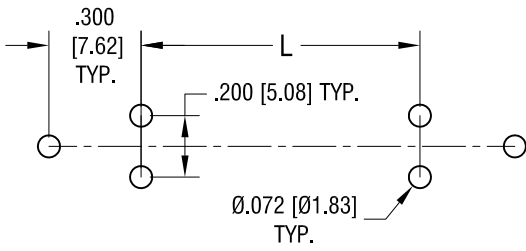


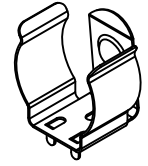
MOUNTING LAYOUT



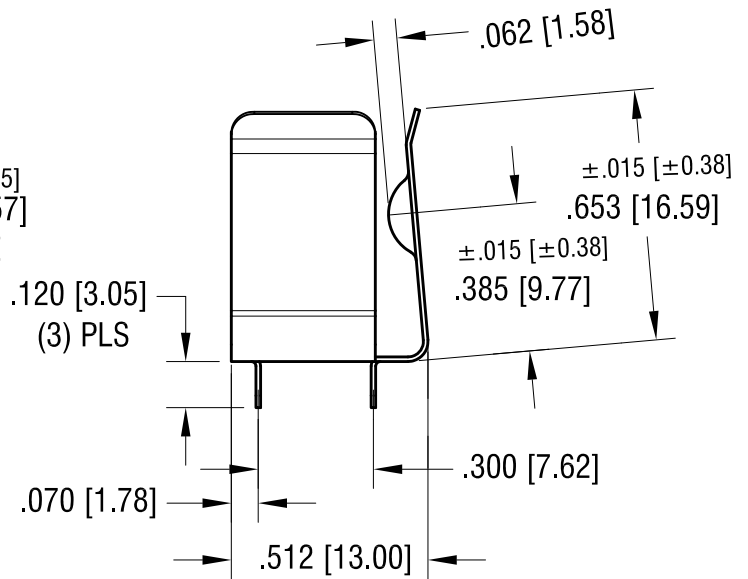
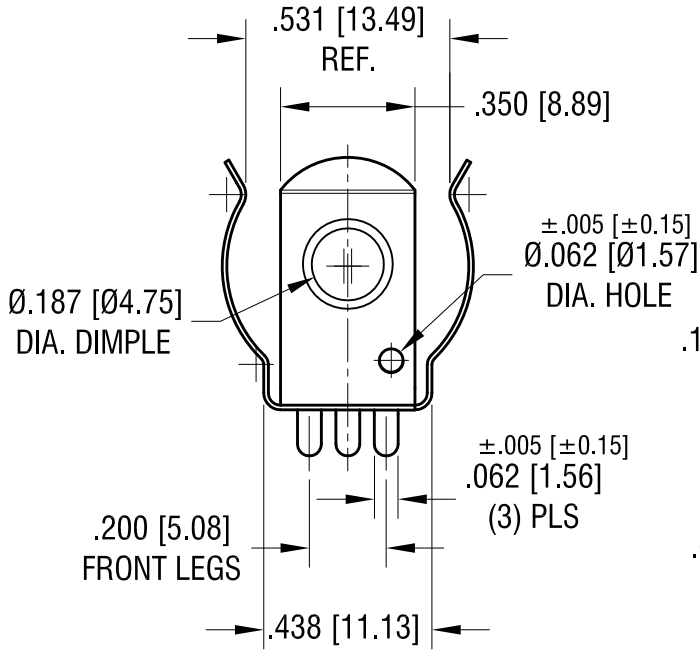
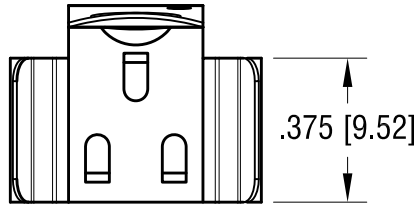
CELL SIZE	"L" DIMENSION
18650 *	1.890 [48.00]
CR123A	.570 [14.50]
17500	1.218 [30.90]
18350	.626 [15.90]

\* FOR BATTERIES WITH BUILT-IN CIRCUIT PROTECTION (67mm LONG)

THIS DOCUMENT IS THE PROPERTY OF KEYSTONE ELECTRONICS CORP. AND SHALL NOT BE REPRODUCED, DISTRIBUTED OR USED AS A BASIS FOR MANUFACTURE WITHOUT PRIOR WRITTEN PERMISSION FROM KEYSTONE ELECTRONICS CORP.



ACTUAL SIZE



PCB PROTECTION CIRCUITS ARE REQUIRED WHEN USED WITH LITHIUM-ION BATTERIES

NOTE:

1. HEAT TREAT TO SPRING TEMPER

DATE	DESCRIPTION	REV.
9.06.16	CHANGE AS PER ECR 16-058	E
9.13.13	CHANGE AS PER ECN 13-069	D
2.08.11	CHANGE AS PER ECN 11-011	C
11.9.10	CHANGE AS PER ECN 10-079	B
8.16.10	CHANGE AS PER ECN 10-060	A

<b>KEYSTONE ELECTRONICS CORP.</b>			
www.keyelco.com • NEW HYDE PARK, NY 11040 • Tel (516) 328-7500			
PART NAME		16mm - 19mm PC BATTERY CLIP	
MATERIAL		.012 [0.30] TH'K ANNEALED SPRING STEEL	
FINISH		DRN BY	DATE
TIN NICKEL PLATE		NT	5.04.09
		APP'D	SCALE
TOLERANCES INCH [MM]		RH	2X
		DWG NO.	
DECIMAL	± .010 [± 0.25]	CODE	54
ANGULAR	± 2°	C	
UNLESS OTHERWISE SPECIFIED			