

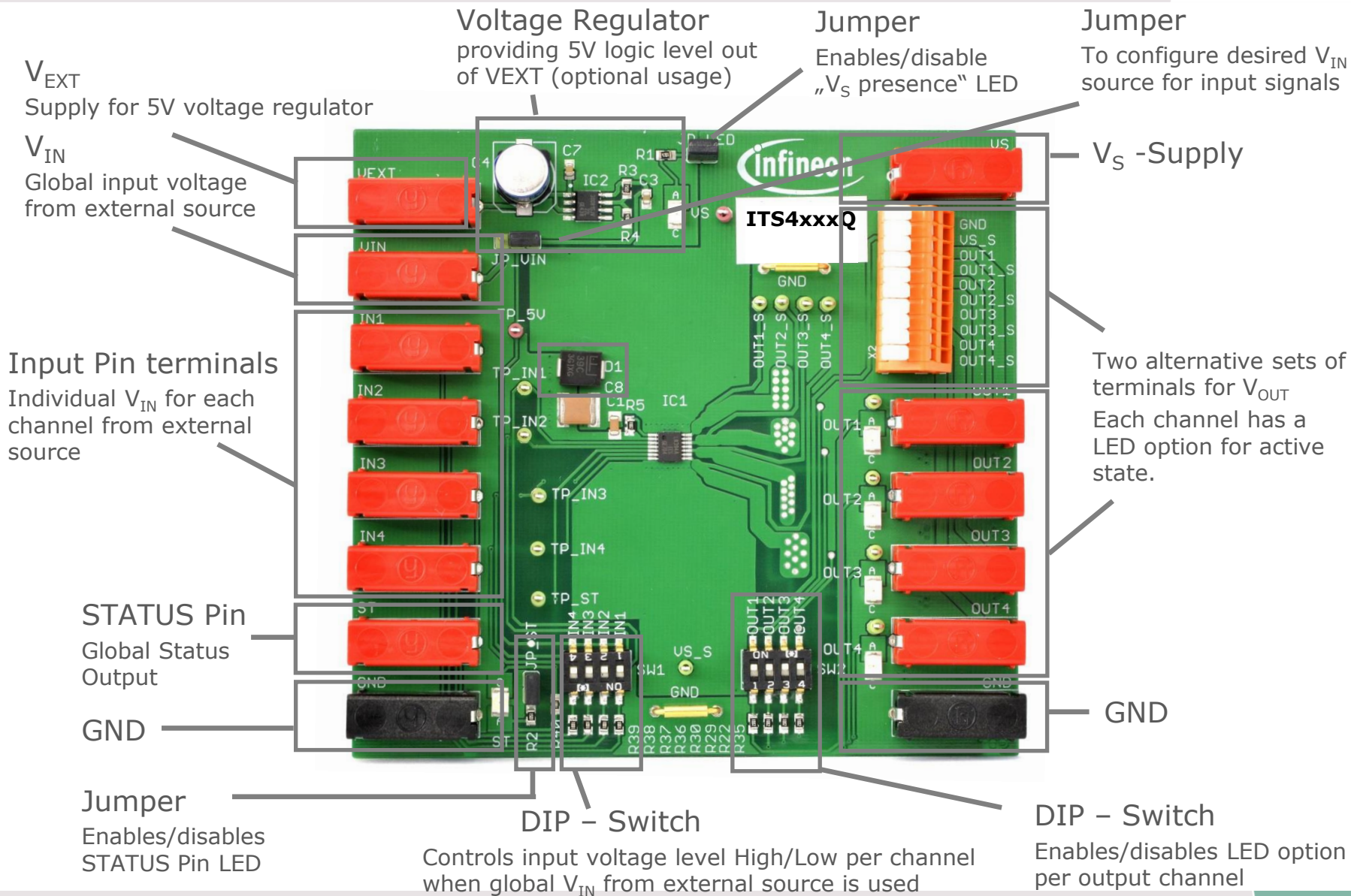
ITS4xxxQ Evaluation Board Rev. 1.2

Schematics & Layout

ITS4075Q
ITS4130Q
ITS4090Q



Board Overview



Schematics

Voltage Regulator to generate 5V-logic levels for inputs

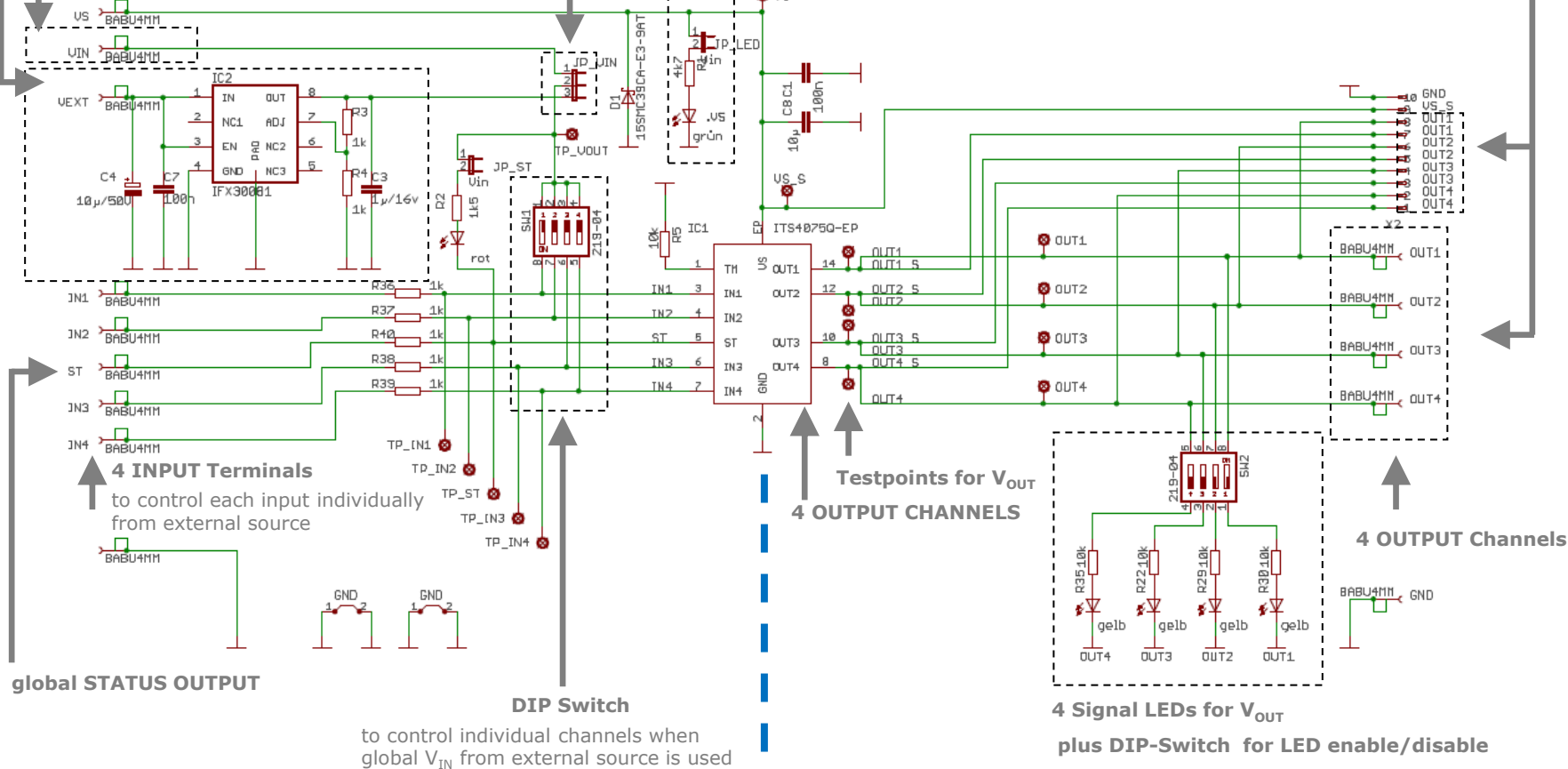
V_{IN} Terminal: for providing external levels globally to all input pins

„Power-Up“ LED
Indicates whether V_S is applied
Plus jumper to disable LED

Two alternative sets of terminals for V_{OUT} :

- Banana Plugs
- Bare wire Connector

Jumper to select input source



CONTROL/INPUT - Side

POWER/OUTPUT - Side

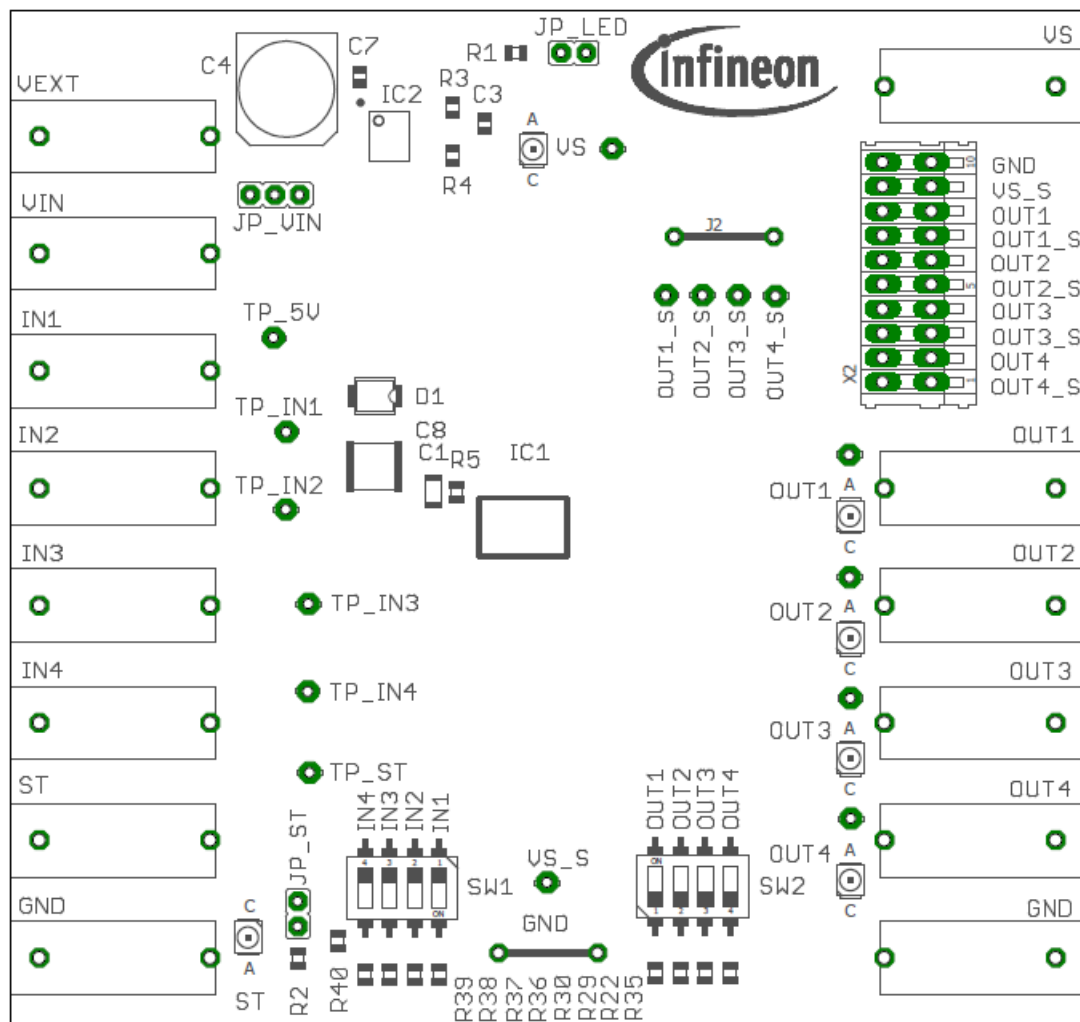
Top View

IC1 = ITS4xxxQ:

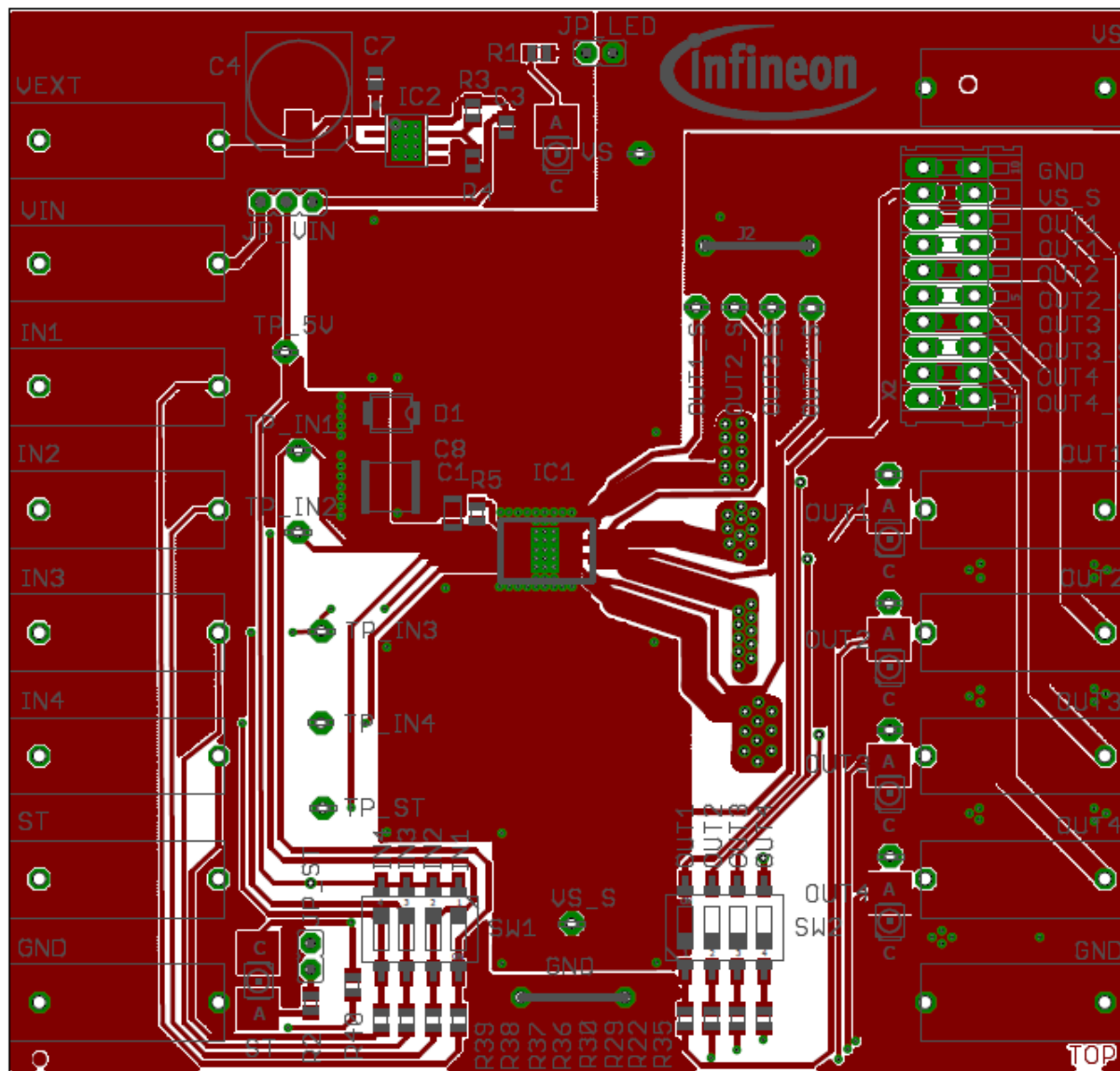
4-channel Industrial PROFET

IC2 = IFX30081:

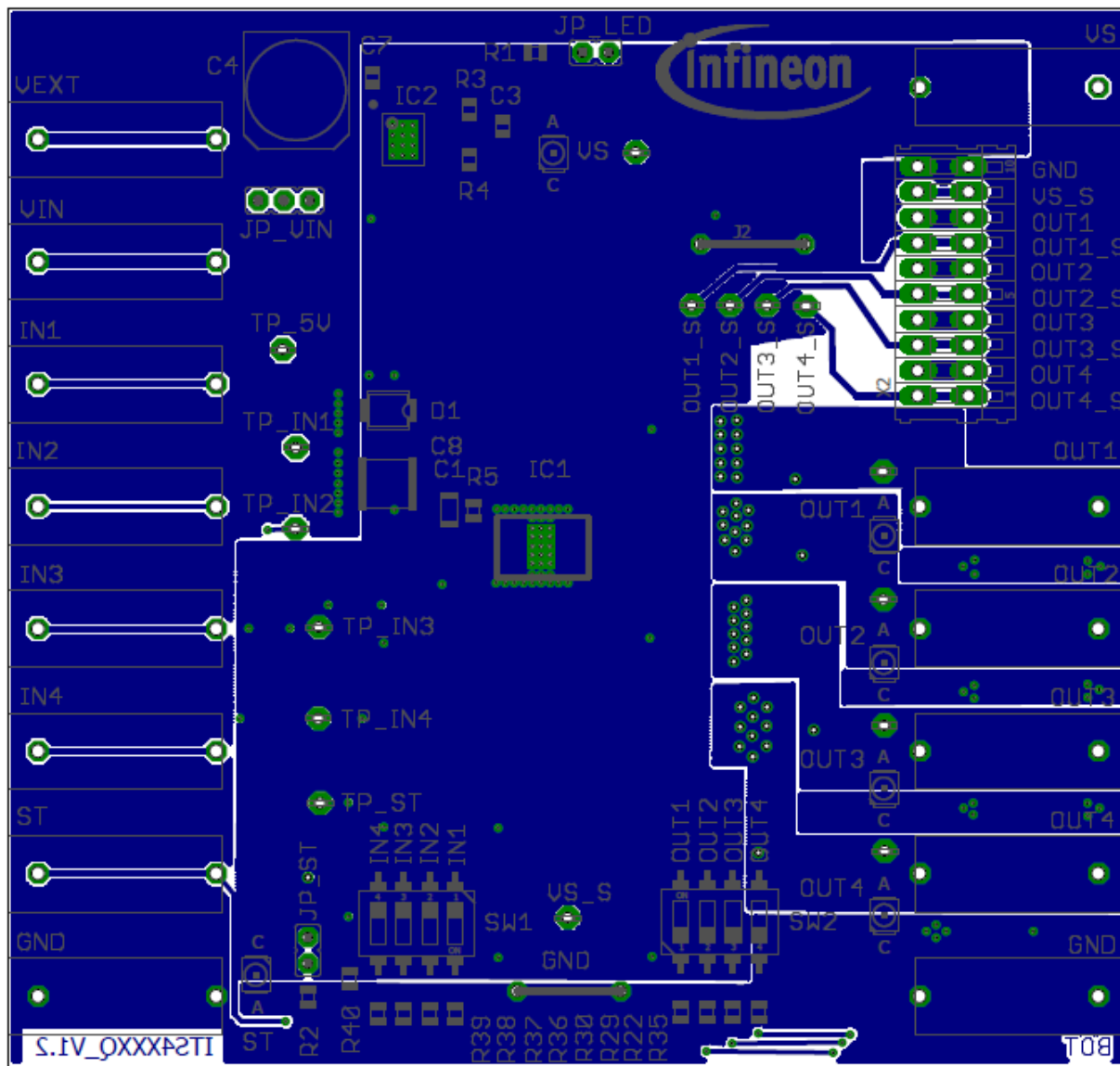
VREG as option to generate logic levels for input pins



Top Layer



Bottom Layer





Part of your life. Part of tomorrow.

